



ROCHESTER CARBURETOR CHART

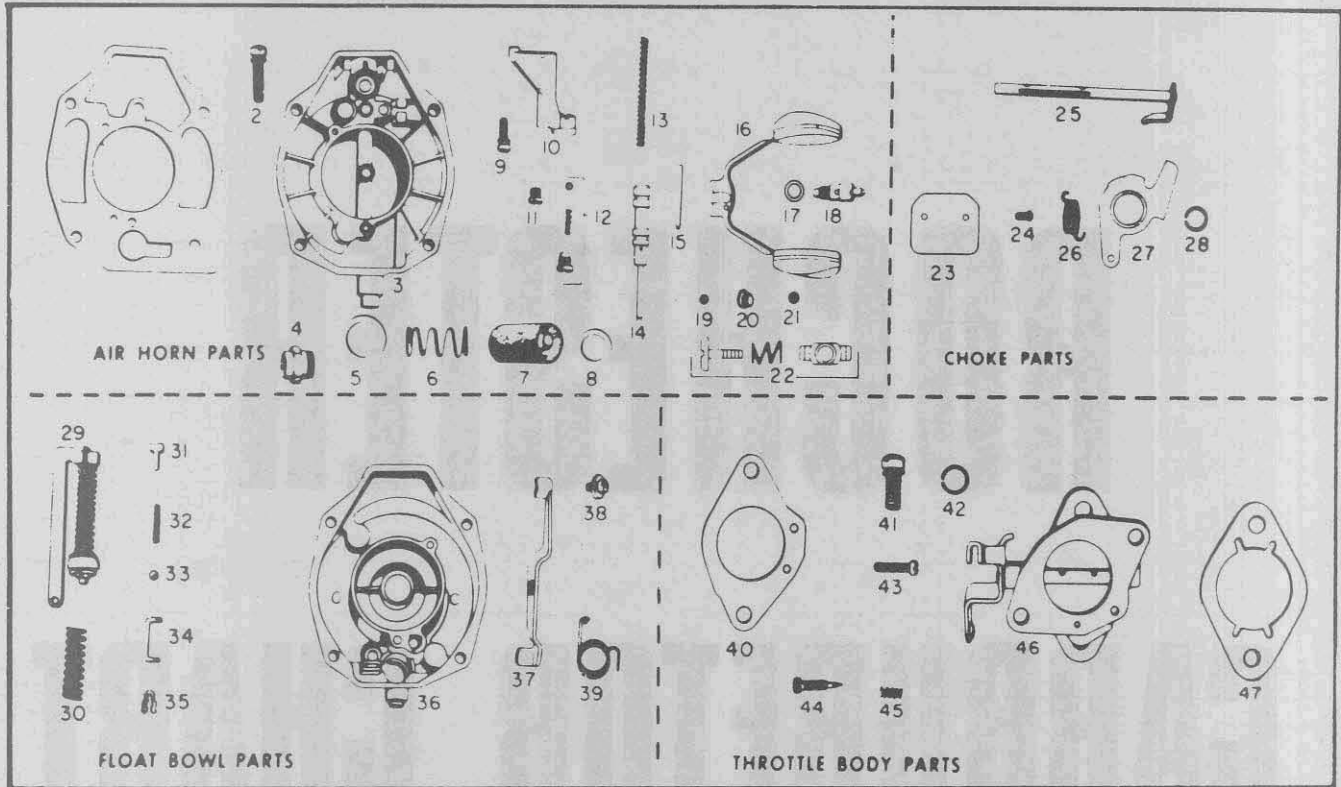
SECTION

YEAR	MODEL	ENGINE	DISPLACEMENT	TYPE	DESCRIPTION	REMARKS
1954	1500	1500	1500	1500	1500	1500
1955	1500	1500	1500	1500	1500	1500
1956	1500	1500	1500	1500	1500	1500
1957	1500	1500	1500	1500	1500	1500
1958	1500	1500	1500	1500	1500	1500
1959	1500	1500	1500	1500	1500	1500
1960	1500	1500	1500	1500	1500	1500
1961	1500	1500	1500	1500	1500	1500
1962	1500	1500	1500	1500	1500	1500
1963	1500	1500	1500	1500	1500	1500
1964	1500	1500	1500	1500	1500	1500
1965	1500	1500	1500	1500	1500	1500
1966	1500	1500	1500	1500	1500	1500
1967	1500	1500	1500	1500	1500	1500
1968	1500	1500	1500	1500	1500	1500
1969	1500	1500	1500	1500	1500	1500
1970	1500	1500	1500	1500	1500	1500



**CHEV-GMC TRUCK
PARTS CATALOGUE**

**1965-67 CHEVROLET AND GMC TRUCK "6"
MODEL B MANUAL CHOKE (1965-67 230 & 1965-66 292)**



PARTS SHOWN ARE FOR IDENTIFICATION ONLY. CONSULT PARTS LIST FOR CORRECT PART NAME AND NUMBER

1965	1966	1966-67	1965	1965-66	1966 A.I.R.	YEAR	
230 CU. IN.			292 CU. IN.			APPLICATION	
7023011	7023017	7023021	7026017	7023013	7024009	7036009	CARBURETOR No.
7041860	7016322	7041860	7016322	7041861	7041861	7036009	REPLACEMENT PKG. No
7016553	7016456	7016456	7016553	7016456	7016456	7016456	OVERHAUL KIT
7039062	7039062	7039062	7039062	7039062	7039062	7039062	POWER CARBURETOR KIT
7016351	7016351	7016351	7016351	7016351	7016351	7016351	GASKET SET

Bus No.	AIR HORN PARTS							
1	7026514	7026514	7026514	7026514	7026514	7026514	7026514	Gasket—Air Horn
2	7003823	7003823	7003823	7003823	7003823	7003823	7003823	Screw—Air Horn, Attaching
3	7025692	7031494	N.L.A.	7031494	7025464	7027883	7032918	Air Horn Assembly
4	7013525	7013525	7013525	7013525	7013525	7013525	7013525	Filter Nut
5	7032508	7032508	7032508	7032508	7032508	7032508	7032508	Gasket—Filter Nut
6	7031539	7031539	7031539	7031539	7031539	7031539	7031539	Spring—Fuel Filter
7	7013404	7013404	7013404	7013404	7013404	7013404	7013404	Filter—Fuel Inlet
8	7013584	7013584	7013584	7013584	7013584	7013584	7013584	Gasket—Fuel Filter
9	N.L.A.	N.L.A.	N.L.A.	N.L.A.	N.L.A.	N.L.A.	N.L.A.	Screw—Well Support, Attaching
10	7025673	7025526	7025527	7032356	7025529	7027709	7032656	Main Well Support Assembly
11	7002658	7002658	7002642	7002658	7008673	7008672	7008671	Main Metering Jet
12	7026961	7025554	7025554	7026961	7025554	7025554	7025554	Power Valve Assembly
13	7002896	7002896	7002366	7002896	7002896	7002896	7002896	Spring—Power Piston
14	7027765	7027765	7027765	7027765	7010002	7010002	7010002	Power Piston Assembly
15	7002081	7002081	7002081	7002081	7002081	7002081	7002081	Pin—Float Hinge
16	7002672	7002672	7002672	7002672	7002672	7002672	7002672	Float Assembly
17	7025735	7025735	7025735	7025735	7025735	7025735	7025735	Gasket—Needle Seat
18	7023801	7023801	7023801	7023801	7023801	7023801	7023801	Needle and Seat Assembly



1965-67 CHEVROLET AND GMC TRUCK "6" — CONT'D.
MODEL B MANUAL CHOKE (1963-67 230 & 1963-66 292)

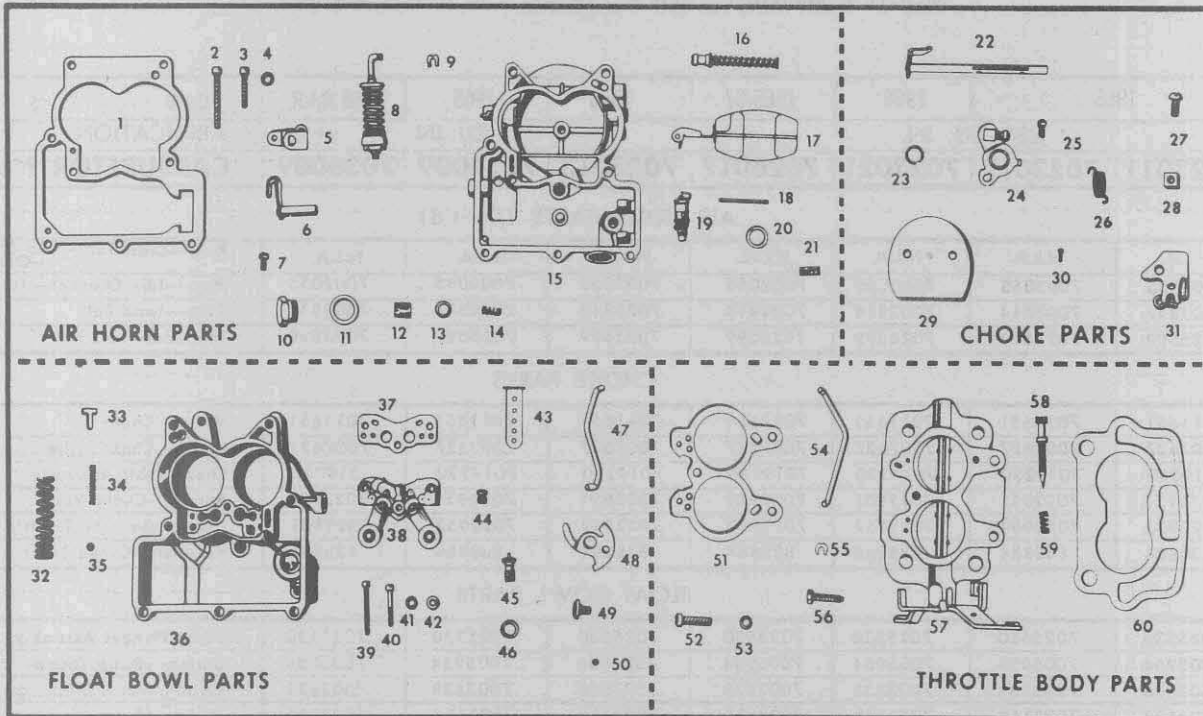
Illus. No.	1965		1966	1965-67	1965	1965	1966 A.I.R.	YEAR
	230 CU. IN.			292 CU. IN.				APPLICATION
	7023011	7023017	7023021	7026017	7023013	7024009	7036009	CARBURETOR No.
AIR HORN PARTS (Cont'd)								
19	N.L.A.	N.L.A.	N.L.A.	N.L.A.	N.L.A.	N.L.A.	N.L.A.	Plug—Lead Ball—Idle Channel —Outer
20	7002055	7002055	7002055	7002055	7002055	7002055	7002055	Plug—Idle Channel—Inner
21	7002814	7002814	7002814	7002814	7002814	7002814	7002814	Plug—Lead Ball
22	7025599	7025599	7025599	7025599	7025599	7025599	7025599	Idle Vent Valve Kit
CHOKE PARTS								
23	7011651	7011651	7011651	7011651	7011651	7011651	7011651	Valve—Choke
24	7007627	7007627	7007627	7007627	7007627	7007627	7007627	Screw—Choke Valve
25	7019230	7019230	7019230	7019230	7019230	7019230	7019230	Choke Shaft Assembly
26	7022951	7022951	7022951	7022951	7022951	7022951	7022951	Spring—Choke Valve
27	7022952	7022952	7022952	7022952	7022952	7022952	7022952	Choke Lever and Throttle Kick Cam
28	838884	838884	838884	838884	838884	838884	838884	Retainer—Choke Lever
FLOAT BOWL PARTS								
29	7025530	7025530	7025530	7025530	7025530	7025530	7025530	Pump Plunger Assembly
30	7005954	7005954	7005954	7005954	7005954	7005954	7005954	Spring—Pump Return
31	7003838	7003838	7003838	7003838	7003838	7003838	7003838	Guide—Pump Discharge Spring
32	7002118	7002118	7002118	7002118	7002118	7002118	7002118	Spring—Pump Discharge Ball
33	7002117	7002117	7002117	7002117	7002117	7002117	7002117	Ball—Pump Discharge
34	7022925	7022925	7022925	7022925	7022925	7022925	7022925	Link—Pump
35	836159	836159	836159	836159	836159	836159	836159	Pin Spring—Pump Link
36	7004506	7004506	7015287	7004506	7025465	7025465	7032955	Float Bowl Assembly
37	7022712	7022712	7022712	7022712	7022712	7022712	7022712	Lever—Throttle Kick
38	7002715	7002715	7002715	7002715	7002715	7002715	7002715	Screw—Kick Lever Attaching
39	7002102	7002102	7002102	7002102	7002102	7002102	7002102	Spring—Throttle Kick Lever
THROTTLE BODY PARTS								
40	7025560	7025560	7025560	7025560	7025531	7025531	7025531	Gasket—Throttle Body to Bowl
41	7015295	7015295	7015295	7015295	7015295	7015295	7015295	Screw—Throttle Body Attaching
42	120638	120638	120638	120638	120638	120638	120638	Lockwasher—Throttle Body Screw
43	7002121	7002121	7002121	7002121	7002121	7002121	7002121	Screw—Idle Stop
44	7002357	7002357	7002357	7002357	7002357	7001669	7001669	Needle—Idle Adjusting
45	7003190	7003190	7003190	7003190	7003190	7003190	7003190	Spring—Idle Adjusting Needle
46	N.L.A.	N.L.A.	N.L.A.	N.L.A.	7021953	N.L.A.	7032657	Throttle Body Assembly
47	3953732	3953732	3953732	3953732	3953732	3953732	3953732	Flange Gasket

ACCESSORIES	
7027093	Intake Air Bleed Valve Assembly (A.I.R.)



**CHEV-GMC TRUCK
PARTS CATALOGUE**

**1965-66 CHEVROLET AND GMC TRUCK 283 V-8
MODEL 2G**



PARTS SHOWN ARE FOR IDENTIFICATION ONLY. CONSULT PARTS LIST FOR CORRECT PART NAME AND NUMBER

	1965-66 W/O A.I.R.	1966 A.I.R.	APPLICATION
	7023010	7036105	STANDARD CARBURETOR No.
	7023009	—	VELOCITY GOVERNOR CARBURETOR No.
	7023022	7036100	OVERDRIVE CARBURETOR No.
	7028127	7036105	REPLACEMENT PACKAGE No. (Standard)
	7016716	—	REPLACEMENT PACKAGE No. (Velocity Gov.)
	7023022	7036100	REPLACEMENT PACKAGE No. (Overdrive)
	7015926	7015926	OVERHAUL KIT
	7039009	7039009	POWER CARBURETOR KIT
	7015952	7015952	GASKET SET

Illus. No.	AIR HORN PARTS		
1	7008600	7008600	Gasket — Air Horn
2	7010432	7010432	Screw — Air Horn (Long)
3	7006119	7006119	Screw — Air Horn (Short)
4	120217	120217	Lockwasher — Air Horn Screw
5	7032377	7032377	Lever — Pump Inside
6	7006975	7006975	Pump Shaft and Lever Assembly
7	7019706	7019706	Screw — Pump Lever
8	7031823	7031823	Pump Assembly
9	7005032	7005032	Clip — Pump Plunger
10	7013525	7013525	Nut — Filter
11	7010010	7010010	Gasket — Filter Nut
12	7013404	7013404	Filter — Fuel Inlet
13	7013584	7013584	Gasket — Filter
14	7010007	7010007	Spring — Filter
15	7036429	7036429	Air Horn Assembly

A.I.R. — AIR INJECTION REACTOR

GROUP 3.725 CARBURETOR CHART 4



1965-66 CHEVROLET AND GMC TRUCK 283
MODEL 2G

	1965-66 W/O A.I.R.	1966 A.I.R.	APPLICATION
	7023010	7036105	STANDARD
	7023009	—	VELOCITY G
	7023022	7036100	OVERDRIVE

Illus. No.	AIR HORN PARTS (Cont'd)		
16	7006323	7006323	Power Piston Assem
17	7012974	7012974	Float Assembly
18	7002081	7002081	Pin — Float Hinge
19	7023809	7023809	Needle and Seat Assembly
20	7019535	7019535	Gasket — Needle Seat
21	7006079	7006079	Strainer — Needle Seat
—	7006474	7006474	Pull Clip — Float Needle

CHOKE PARTS

22	7006806	7006806	Choke Shaft Assembly
23	838884	838884	Retainer — Choke Lever
24	7006803	7006803	Choke Lever and Swivel Assembly
25	7019706	7019706	Screw — Choke Lever
26	7019892	7019892	Spring — Choke Valve
27	7019707	7019707	Screw — Wire Clamp
28	N.L.A.	N.L.A.	Nut — Wire Clamp
29	7000255	7000255	Choke Valve
30	7007627	7007627	Screw — Choke Valve
31	7006812	7006812	Bracket Choke

FLOAT BOWL PARTS

32	7004597	7004597	Spring — Pump Return
33	7000286	7000286	Guide — Pump Discharge
34	7002118	7002118	Spring — Pump Discharge
35	7002117	7002117	Ball — Pump Discharge
36	7025691	7032919	Float Bowl Assembly
37	7019534	7019534	Gasket — Venturi Cluster
38	7025688	N.L.A.	Venturi Cluster Assembly
39	7000293	7000293	Screw — Venturi Cluster — Outer
40	7000294	7000294	Screw — Venturi Cluster — Center
41	7000295	7000295	Gasket — Cluster Center Screw
42	121841	121841	Lockwasher — Outer Screws
43	7021528	7021528	Insert — Main Well
44	7002654	7002654	Jet — Main Metering
45	7010918	7010918	Power Valve Assembly
46	7001613	7001613	Gasket — Power Valve
47	7025667	7025667	Choke Rod
48	7006810	7006810	Cam — Fast Idle
49	7003561	7003561	Screw — Cam Attaching
50	7002814	7002814	Plug — Lead Ball

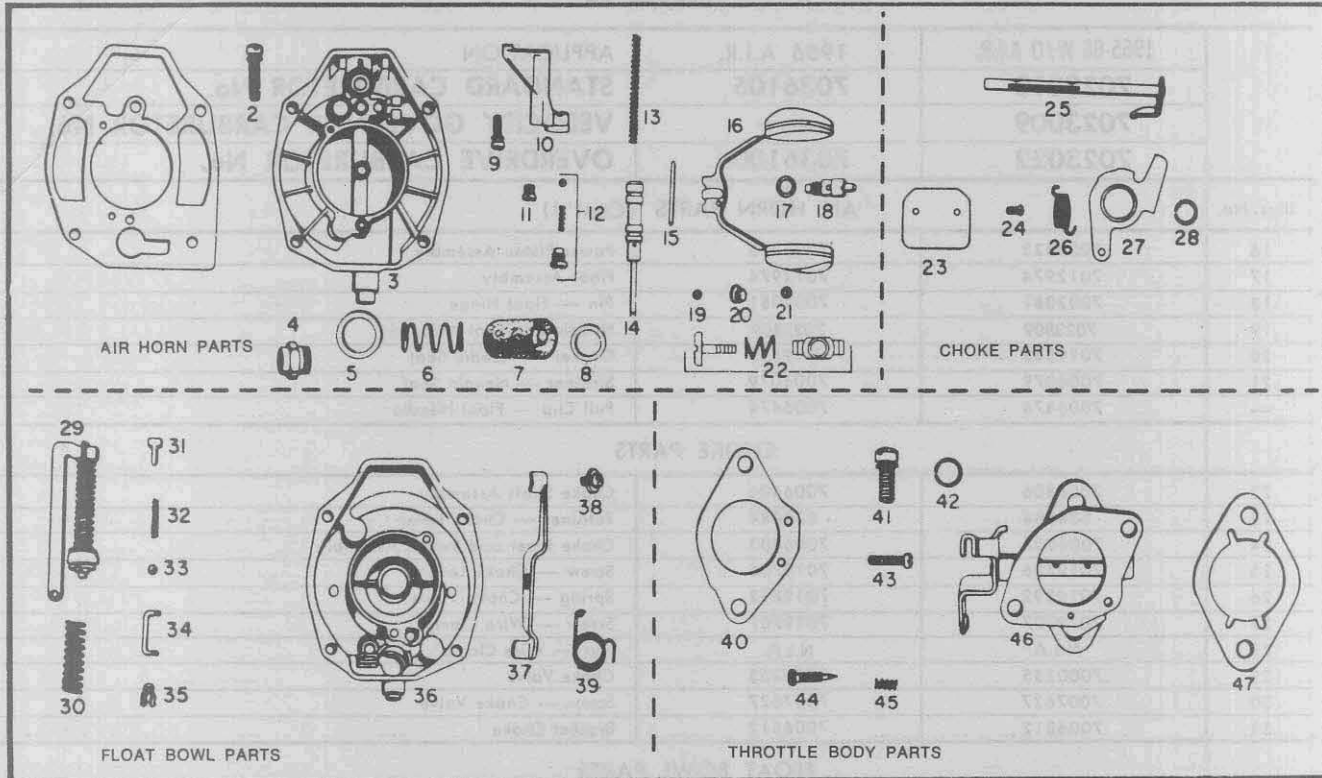
THROTTLE BODY PARTS

51	7013881	7013881	Gasket — Throttle Body
52	7015105	7015105	Screw — Throttle Body
53	121744	121744	Lockwasher — Throttle Body Screw
54	7019464	7019464	Pump Rod
55	7005032	7005032	Clip — Pump Rod
56	7013347	7013347	Idle Stop Screw
57	7025486	N.L.A.	Throttle Body Assembly (Standard)
57	7025485	—	Throttle Body Assembly (Velocity Governor)
57	N.L.A.	7031720	Throttle Body Assembly (Overdrive)
58	7013470	7013470	Idle Needle
59	7011479	7011479	Spring — Idle Needle
60	3704952	3704952	Flange Gasket



CHEV-GMC TRUCK
PARTS CATALOGUE

1966-67 CHEVROLET AND GMC TRUCK "6"
MODEL B MANUAL CHOKE (194-250)



PARTS SHOWN ARE FOR IDENTIFICATION ONLY. CONSULT PARTS LIST FOR CORRECT PART NAME AND NUMBER

250 CU. IN. STANDARD	250 CU. IN. VEL. GOV.	194 CU. IN. STANDARD	APPLICATION
7026011	7026029	7026019	CARBURETOR No. — 1966
7027011	7027029	—	CARBURETOR No. — 1967
7027011	7027029	7026019	REPLACEMENT PACKAGE No.
7016553	7016642	7016553	OVERHAUL KIT
7039062	7039062	7039062	POWER CARBURETOR KIT
7016351	7016351	7016351	GASKET SET

Illus. No.

AIR HORN PARTS

Illus. No.	250 CU. IN. STANDARD	250 CU. IN. VEL. GOV.	194 CU. IN. STANDARD	DESCRIPTION
1	7026514	7026514	7026514	Gasket—Air Horn
2	7003823	7003823	7003823	Screw—Air Horn Attaching
3	N.L.A.	7033018	N.L.A.	Air Horn Assembly
4	7013525	7013525	7013525	Filter Nut
5	7032508	7032508	7032508	Gasket—Filter Nut
6	7031539	7031539	7031539	Spring—Fuel Filter
7	7013404	7013404	7013404	Filter—Fuel Inlet
8	7013584	7013584	7013584	Gasket—Fuel Filter
9	N.L.A.	N.L.A.	N.L.A.	Screw—Well Support Attaching
10	7031699	7033256	7028711	Main Well Support Assembly
11	7002658	7008663	7002658	Main Metering Jet
12	7026961	7025554	7026961	Power Valve Assembly
13	7002366	7002896	7002366	Spring—Power Piston
14	7027765	7027765	7010002	Power Piston Assembly
15	7002081	7002081	7002081	Pin—Float Hinge
16	7002672	7002672	7002672	Float Assembly
17	7025735	7025735	7025735	Gasket—Needle Seat
18	7023801	7023801	7023801	Needle and Seat Assembly



1966-67 CHEVROLET AND GMC TRUCK "6" — CONT'D

MODEL B MANUAL CHOKE (194-250)

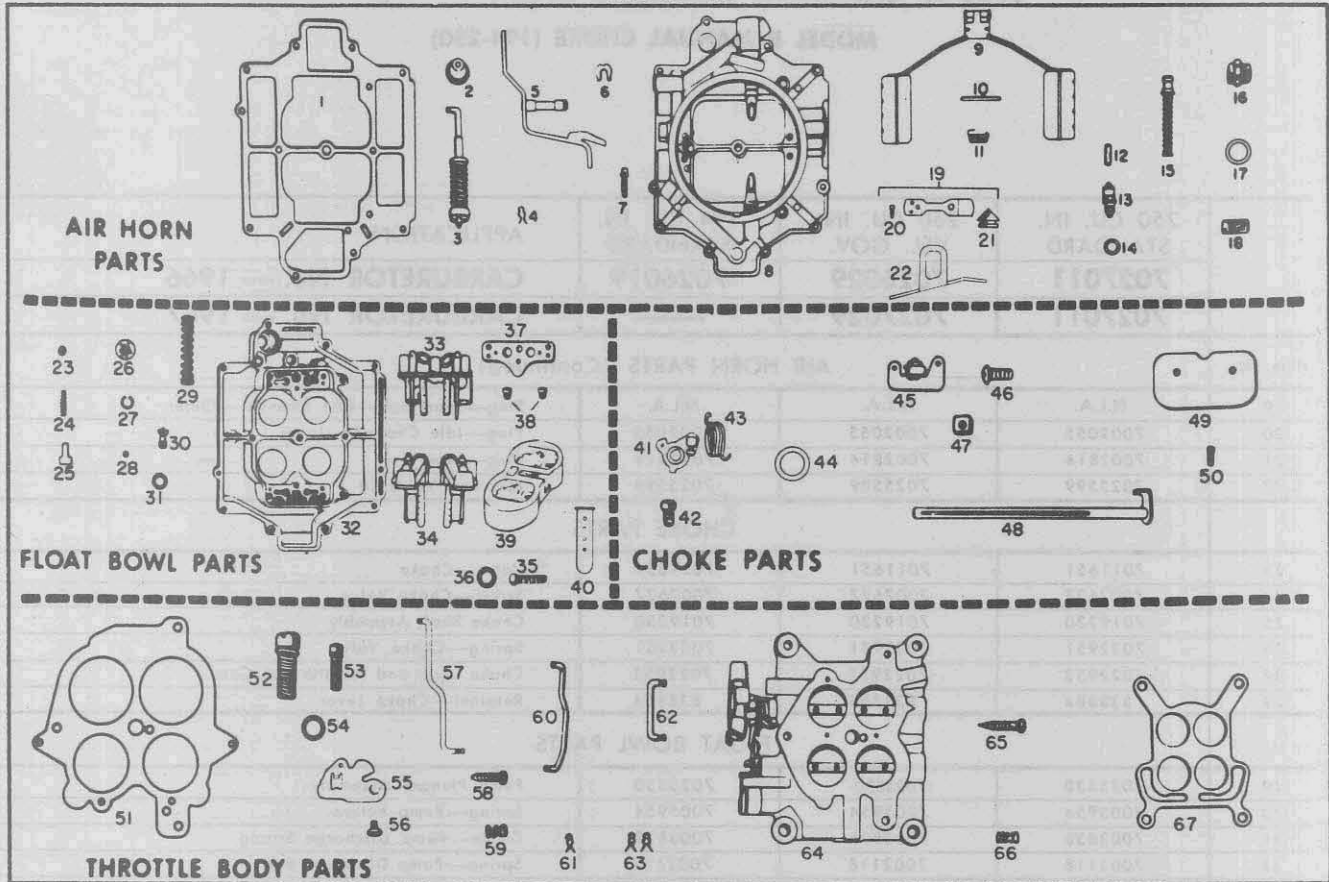
	250 CU. IN. STANDARD	250 CU. IN. VEL. GOV.	194 CU. IN. STANDARD	APPLICATION
	7027011	7026029	7026019	CARBURETOR No. — 1966
	7027011	7027029	—	CARBURETOR No. — 1967
AIR HORN PARTS (Continued)				
illus. No.				
19	N.L.A.	N.L.A.	N.L.A.	Plug—Lead Ball—Idle Channel—Outer
20	7002055	7002055	7002055	Plug—Idle Channel—Inner
21	7002814	7002814	7002814	Plug—Lead Ball
22	7025599	7025599	7025599	Idle Vent Valve Kit
CHOKE PARTS				
23	7011651	7011651	7011651	Valve—Choke
24	7007627	7007627	7007627	Screw—Choke Valve
25	7019230	7019230	7019230	Choke Shaft Assembly
26	7022951	7022951	7022951	Spring—Choke Valve
27	7022952	7022952	7022952	Choke Lever and Throttle Kick Cam
28	838884	838884	838884	Retainer—Choke Lever
FLOAT BOWL PARTS				
29	7025530	7025530	7025530	Pump Plunger Assembly
30	7005954	7005954	7005954	Spring—Pump Return
31	7003838	7003838	7003838	Guide—Pump Discharge Spring
32	7002118	7002118	7002118	Spring—Pump Discharge Ball
33	7002117	7002117	7002117	Ball—Pump Discharge
34	7022925	7022925	7022925	Link—Pump
35	836159	836159	836159	Pin Spring—Pump Link
36	7004506	7004506	7004506	Float Bowl Assembly
37	7022712	7022712	7022712	Lever—Throttle Kick
38	7002715	7002715	7002715	Screw—Kick Lever Attaching
39	7002102	7002102	7002102	Spring—Throttle Kick Lever
THROTTLE BODY PARTS				
40	7025560	7025560	7025560	Gasket—Throttle Body to Bowl
41	7015295	7015295	7015295	Screw—Throttle Body Attaching
42	120638	120638	120638	Lockwasher—Throttle Body Screw
43	7002121	7002121	7002121	Screw—Idle Stop
44	7002357	7002357	7002357	Needle—Idle Adjusting
45	7003190	7003190	7003190	Spring—Idle Adjusting Needle
46	N.L.A.	7033470	N.L.A.	Throttle Body Assembly
47	3828267	3828267	3828267	Flange Gasket



CHEV-GMC TRUCK

PARTS CATALOGUE

1966-67 CHEVROLET AND GMC TRUCK 327 V-8
MODEL 4G



PARTS SHOWN ARE FOR IDENTIFICATION ONLY. CONSULT PARTS LIST FOR CORRECT PART NAME AND NUMBER

1965-66		1967		YEAR
W/O A.I.R.	A.I.R.	W/O A.I.R.	A.I.R.	APPLICATION
7025125	7036125	7027125	7037125	CARBURETOR No.
7026590	7037125	7027125	7037125	REPLACEMENT PACKAGE No.
7033075	N.L.A.	7033075	N.L.A.	OVERHAUL KIT
7039107	—	7039107	—	POWER CARBURETOR KIT
7026364	7033007	7026364	7033007	GASKET SET

Illus. No.	AIR HORN PARTS				
1	7015173	7006061	7015173	7006061	Gasket—Air Horn
2	7006372	7006372	7006372	7006372	Boot—Pump Plunger
3	7026826	7026826	7026826	7026826	Pump Assembly
4	1875293	1875293	1875293	1875293	Clip—Pump Plunger
5	7022205	7022205	7022205	7022205	Pump Shaft and Lever Assembly
6	7007616	7007616	7007616	7007616	Clip Pump Shaft
7	7000249	7000249	7000249	7000249	Screw—Air Horn
8	N.L.A.	N.L.A.	N.L.A.	N.L.A.	Air Horn Assembly
9	7017488	7017488	7017488	7017488	Float Assembly—Primary and Secondary
10	7001595	7001595	7001595	7001595	Pin—Float Hinge
11	7017486	7017486	7017486	7017486	Torsion Spring
12	7006079	7006079	7006079	7006079	Strainer—Needle Seat
13	7023807	7023807	7023807	7023807	Needle and Seat Assembly—Prim. and Sec.
14	7019535	7019535	7019535	7019535	Gasket—Needle Seat
15	7006323	7006323	7006323	7006323	Power Piston Assembly
16	7000262	7000262	7000262	7000262	Strainer Nut
17	7001597	7001597	7001597	7001597	Gasket—Strainer Nut
18	7003083	7003083	7003083	7003083	Strainer—Fuel Inlet



CHEV-GMC TRUCK

PARTS CATALOGUE

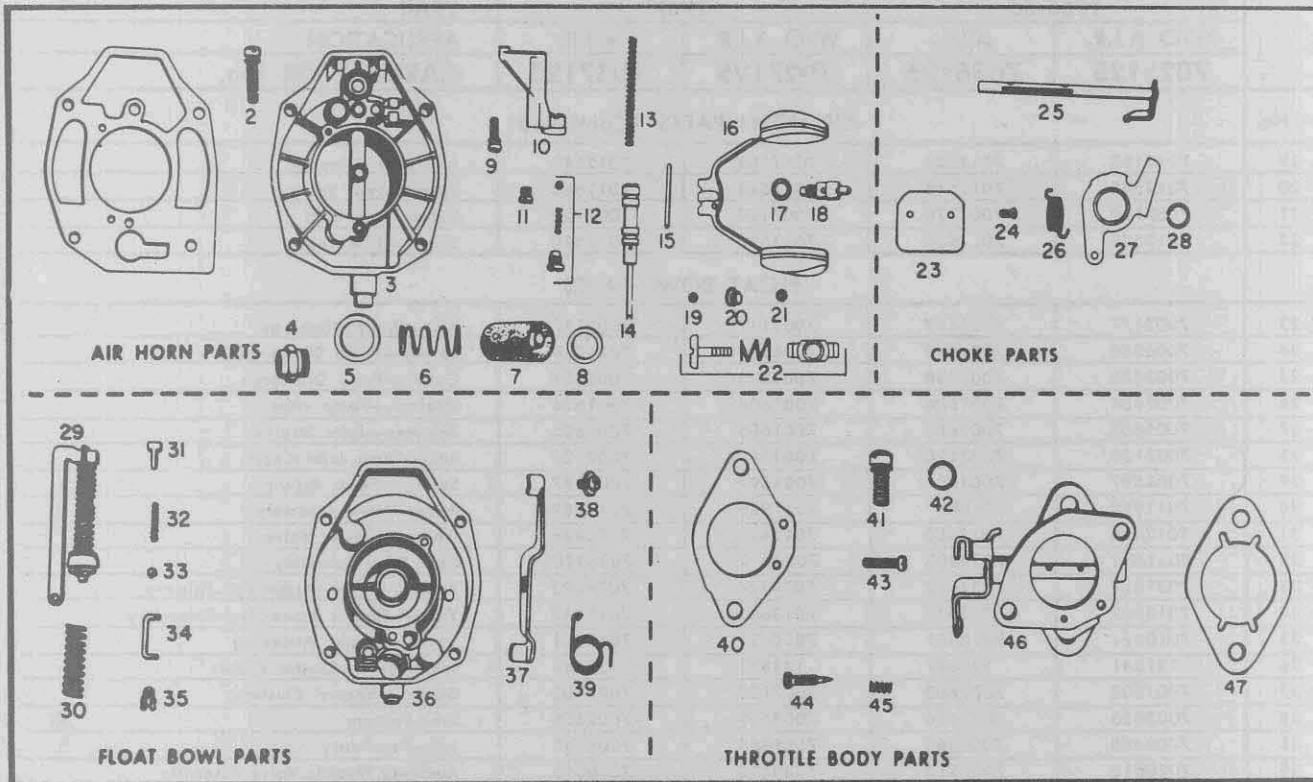
**1966-67 CHEVROLET AND GMC TRUCK 327 V-8 — CONT'D
MODEL 4G**

Illus. No.	1965-66		1967		YEAR
	W/O A.I.R.	A.I.R.	W/O A.I.R.	A.I.R.	APPLICATION
	7025125	7036125	7027125	7037125	CARBURETOR No.
AIR HORN PARTS (Continued)					
19	7012188	7012188	7012188	7012188	Idle Vent Valve Kit
20	7012548	7012548	7012548	7012548	Screw—Vent Valve
21	7007129	7007129	7007129	7007129	Valve—Idle Vent
22	7012520	7012520	7012520	7012520	Shield—Idle Vent
FLOAT BOWL PARTS					
23	7002117	7002117	7002117	7002117	Ball—Pump Discharge
24	7006059	7006059	7006059	7006059	Spring—Pump Discharge
25	7003838	7003838	7003838	7003838	Guide—Pump Discharge
26	7001604	7001604	7001604	7001604	Strainer—Pump Inlet
27	7001605	7001605	7001605	7001605	Retainer—Inlet Strainer
28	7002120	7002120	7002120	7002120	Ball—Pump Inlet Check
29	7004597	7004597	7004597	7004597	Spring—Pump Return
30	7011989	7011989	7011989	7011989	Power Valve Assembly
31	7012488	7012488	7012488	7012488	Gasket—Power Valve
32	7031412	7033003	7034513	7035320	Float Bowl Assembly
33	7031019	7031019	7034126	7034093	Venturi Cluster Assembly—Primary
34	7013662	7013662	7013662	7013662	Venturi Cluster Assembly—Secondary
35	7010421	7010421	7010421	7010421	Screw—Cluster Attaching
36	121841	121841	121841	121841	Lockwasher—Cluster Screws
37	7007803	7007803	7007803	7007803	Gasket—Venturi Clusters
38	7002656	7002656	7002659	7002659	Jet—Primary
38	7008668	7008668	7008668	7008668	Jet—Secondary
39	7020513	7020513	7020513	7020513	Auxiliary Throttle Valve Assembly
40	7021528	7021528	7021528	7021528	Insert—Main Well
CHOKE PARTS					
41	7010465	7010465	7010465	7010465	Choke Lever and Swivel Assembly
42	7019706	7019706	7019706	7019706	Screw—Choke Lever Swivel
43	7019892	7019892	7019892	7019892	Spring—Choke Valve
44	838884	838884	838884	838884	Retainer—Choke Lever
45	7010505	7010505	7010505	7010505	Choke Bracket Assembly
46	7019707	7019707	7019707	7019707	Screw—Bowden Wire
47	N.L.A.	N.L.A.	N.L.A.	N.L.A.	Nut—Bowden Wire
48	7010467	7010467	7010467	7010467	Choke Shaft and Lever Assembly
49	7000191	7000191	7000191	7000191	Choke Valve
50	7007627	7007627	7007627	7007627	Screw—Choke Valve
THROTTLE BODY PARTS					
51	7032623	7032623	7032623	7032623	Gasket—Throttle Body
52	7004324	7004324	7004324	7004324	Screw—Throttle Body—Large
53	7015105	7015105	7015105	7015105	Screw—Throttle Body—Small
54	121744	121744	121744	121744	Lockwasher—Small Screws
55	7031021	7031021	7031021	7031021	Cam—Fast Idle
56	7003561	7003561	7003561	7003561	Screw—Cam Attaching
57	7031022	7031022	7031022	7031022	Choke Rod
58	7013348	7013348	7013348	7013348	Fast Idle Screw
59	7003176	7003176	7003176	7003176	Spring—Fast Idle Screw
60	7021997	7021997	7021997	7021997	Rod Pump
61	1875293	1875293	1875293	1875293	Clip—Pump Rod and Secondary Lever Link
62	7000241	7000241	7000241	7000241	Link—Secondary Lever
63	836159	836159	836159	836159	Clip—Choke Rod
64	7033090	7032635	7033090	N.L.A.	Throttle Body Assembly
65	7013470	7013470	7013470	7013470	Idle Needle
66	7011479	7011479	7011479	7011479	Spring—Idle Needle
67	3743282	3743282	3743282	3743282	Flange Gasket



CHEV-GMC TRUCK
PARTS CATALOGUE

1967 CHEVROLET AND GMC TRUCK "6"
MODEL B MANUAL CHOKE (292)



PARTS SHOWN ARE FOR IDENTIFICATION ONLY. CONSULT PARTS LIST FOR CORRECT PART NAME AND NUMBER

292 CU. IN. STANDARD	292 CU. IN. A.I.R.	APPLICATION
7027009	7037009	CARBURETOR No.
7027009	7037009	REPLACEMENT PACKAGE No.
7016456	7016456	OVERHAUL KIT
7039062	7039062	POWER CARBURETOR KIT
7016351	7016351	GASKET KIT

Illus. No.	AIR HORN PARTS		
1	7026514	7026514	Gasket—Air Horn
2	7003823	7003823	Screw—Air Horn Attaching
3	7027883	7032918	Air Horn Assembly
4	7013525	7013525	Filter Nut
5	7032508	7032508	Gasket—Filter Nut
6	7031539	7031539	Spring—Fuel Filter
7	7013404	7013404	Filter—Fuel Inlet
8	7013584	7013584	Gasket—Fuel Filter
9	N.L.A.	N.L.A.	Screw—Well Support Attaching
10	7027709	7034376	Main Well Support Assembly
11	7008672	7008672	Main Metering Jet
12	7025554	7025554	Power Valve Assembly
13	7002896	7002896	Spring—Power Piston
14	7010002	7010002	Power Piston Assembly
15	7002081	7002081	Pin—Float Hinge
16	7002672	7002672	Float Assembly
17	7025735	7025735	Gasket—Needle Seat
18	7023801	7023801	Needle and Seat Assembly



1967 CHEVROLET AND GMC TRUCK "6" — CONT'D

MODEL B MANUAL CHOKE (292)

	292 CU. IN. STANDARD	292 CU. IN. A.I.R.	APPLICATION
	7027009	7037009	CARBURETOR No.
Illus. No.	AIR HORN PARTS (Continued)		
19	N.L.A.	N.L.A.	Plug—Lead Ball—Idle Channel—Outer
20	7002055	7002055	Plug—Idle Channel—Inner
21	7002814	7002814	Plug—Lead Ball
22	7025599	7025599	Idle Vent Valve Kit
	CHOKE PARTS		
23	7011651	7011651	Valve—Choke
24	7007627	7007627	Screw—Choke Valve
25	7019230	7019230	Choke Shaft Assembly
26	7022951	7022951	Spring—Choke Valve
27	7022952	7022952	Choke Lever and Throttle Kick Cam
28	838884	838884	Retainer—Choke Lever
	FLOAT BOWL PARTS		
29	7025530	7025530	Pump Plunger Assembly
30	7005954	7005954	Spring—Pump Return
31	7003838	7003838	Guide—Pump Discharge Spring
32	7002118	7002118	Spring—Pump Discharge Ball
33	7002117	7002117	Ball—Pump Discharge
34	7022925	7022925	Link—Pump
35	836159	836159	Pin Spring—Pump Link
36	7025465	7032955	Float Bowl Assembly
37	7022712	7022712	Lever—Throttle Kick
38	7002715	7002715	Screw—Kick Lever Attaching
39	7002102	7002102	Spring—Throttle Kick Lever
	THROTTLE BODY PARTS		
40	7025531	7025531	Gasket—Throttle Body to Bowl
41	7015295	7015295	Screw—Throttle Body Attaching
42	120638	120638	Lockwasher—Throttle Body Screw
43	7002121	7002121	Screw—Idle Stop
44	7002357	7002357	Needle—Idle Adjusting
45	7003190	7003190	Spring—Idle Adjusting Needle
46	N.L.A.	N.L.A.	Throttle Body Assembly
47	3828267	3828267	Flange Gasket

ACCESSORIES

7027093

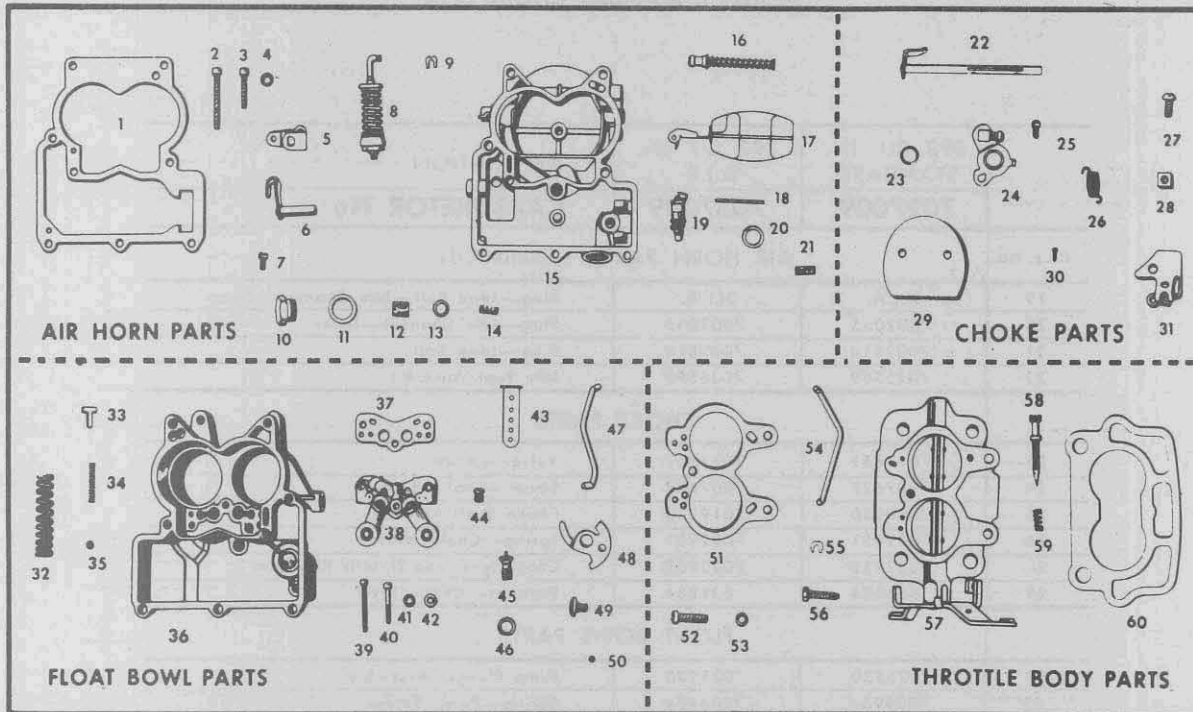
Intake Air Bleed Valve Assembly (A.I.R.)

A.I.R. — AIR INJECTION REACTOR



CHEV-GMC TRUCK
PARTS CATALOGUE

1967 CHEVROLET AND GMC TRUCK 283 V-8
MODEL 2G



PARTS SHOWN ARE FOR IDENTIFICATION ONLY. CONSULT PARTS LIST FOR CORRECT PART NAME AND NUMBER

W O A.I.R.	A.I.R.	APPLICATION
7027105	7037105	STANDARD CARBURETOR No.
7027106	—	VELOCITY GOVERNOR CARBURETOR No.
7027100	7037100	OVERDRIVE CARBURETOR No.
7016717	7037105	REPLACEMENT PACKAGE No. (Standard)
7016716	—	REPLACEMENT PACKAGE No. (Velocity Gov.)
7027100	7037100	REPLACEMENT PACKAGE No. (Overdrive)
7015926	7015926	OVERHAUL KIT
7039009	7039009	POWER CARBURETOR KIT
7015952	7015952	GASKET SET

Illus. No.	AIR HORN PARTS		
1	7008600	7008600	Gasket—Air Horn
2	7010432	7010432	Screw—Air Horn (Long)
3	7006119	7006119	Screw—Air Horn (Short)
4	120217	120217	Lockwasher—Air Horn Screw
5	7032377	7032377	Lever—Pump Inside
6	7006975	7006975	Pump Shaft and Lever Assembly
7	7019706	7019706	Screw—Pump Lever
8	7031823	7031823	Pump Assembly
9	7005032	7005032	Clip—Pump Plunger
10	7013525	7013525	Nut—Filter
11	7010010	7010010	Gasket—Filter Nut
12	7013404	7013404	Filter—Fuel Inlet
13	7013584	7013584	Gasket—Filter
14	7034356	7034356	Spring—Filter
15	7036429	7036429	Air Horn Assembly

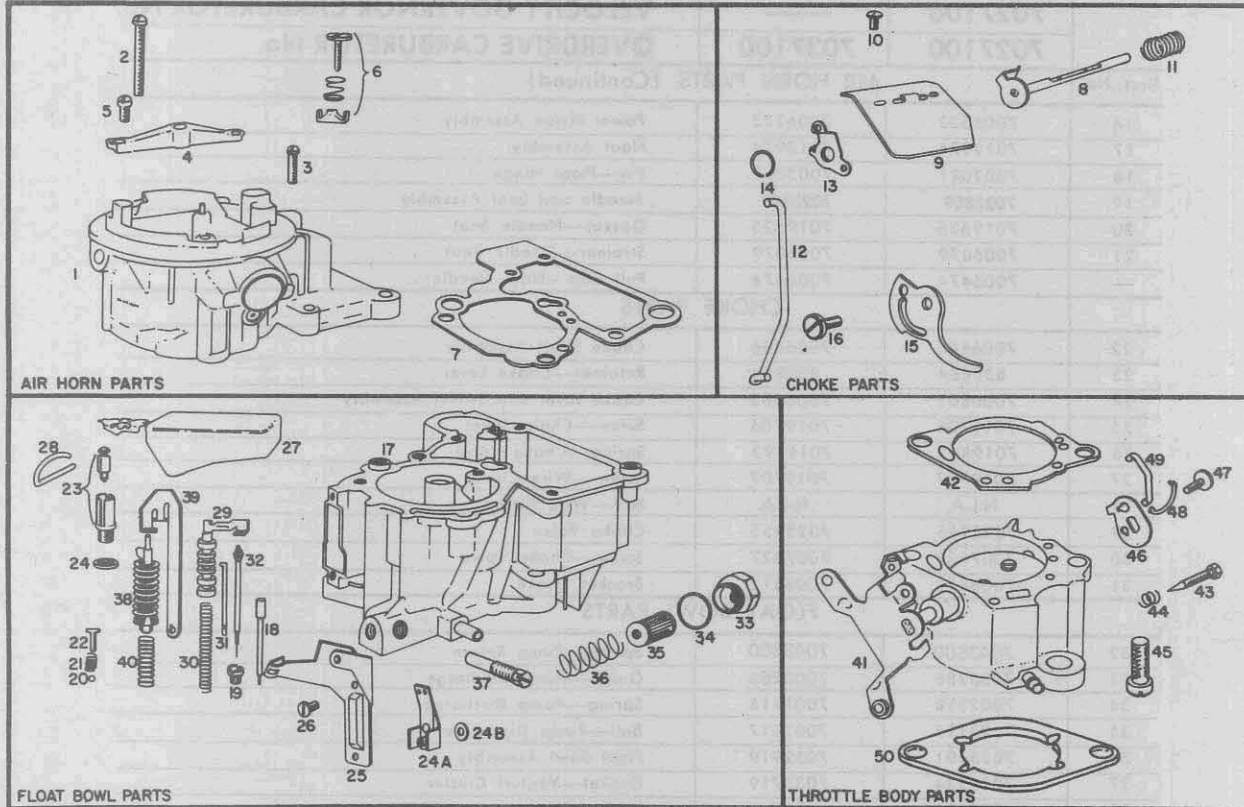


1967 CHEVROLET AND GMC TRUCK 283 V-8 — CONT'D

MODEL 2G

	W/O A.I.R.	A.I.R.	APPLICATION
	7027105	7037105	STANDARD CARBURETOR No.
	7027106	—	VELOCITY GOVERNOR CARBURETOR No.
	7027100	7037100	OVERDRIVE CARBURETOR No.
Illus. No.	AIR HORN PARTS (Continued)		
16	7006323	7006323	Power Piston Assembly
17	7012974	7012974	Float Assembly
18	7002081	7002081	Pin—Float Hinge
19	7023809	7023809	Needle and Seat Assembly
20	7019535	7019535	Gasket—Needle Seat
21	7006079	7006079	Strainer—Needle Seat
—	7006474	7006474	Pull Clip—Float Needle
	CHOKE PARTS		
22	7006806	7006806	Choke Shaft Assembly
23	838884	838884	Retainer—Choke Lever
24	7006803	7006803	Choke Lever and Swivel Assembly
25	7019706	7019706	Screw—Choke Lever
26	7019892	7019892	Spring—Choke Valve
27	7019707	7019707	Screw—Wire Clamp
28	N.L.A.	N.L.A.	Nut—Wire Clamp
29	7025955	7025955	Choke Valve
30	7007627	7007627	Screw—Choke Valve
31	7006812	7006812	Bracket Choke
	FLOAT BOWL PARTS		
32	7043600	7043600	Spring—Pump Return
33	7000286	7000286	Guide—Pump Discharge
34	7002118	7002118	Spring—Pump Discharge
35	7002117	7002117	Ball—Pump Discharge
36	7025691	7032919	Float Bowl Assembly
37	7019534	7031719	Gasket—Venturi Cluster
38	7025688	N.L.A.	Venturi Cluster Assembly
39	7000293	7000293	Screw—Venturi Cluster—Outer
40	7000294	7000294	Screw—Venturi Cluster—Center
41	7000295	7000295	Gasket—Cluster Center Screw
42	121841	121841	Lockwasher—Outer Screws
43	7021528	7021528	Insert—Main Well
44	7002654	7002654	Jet—Main Metering
45	7010918	7010918	Power Valve Assembly
46	7001613	7001613	Gasket—Power Valve
47	7025667	7025667	Choke Rod
48	7006810	7006810	Cam—Fast Idle
49	7003561	7003561	Screw—Cam Attaching
50	7002814	7002814	Plug—Lead Ball
	THROTTLE BODY PARTS		
51	7013881	7013881	Gasket—Throttle Body
52	7015105	7015105	Screw—Throttle Body
53	121744	121744	Lockwasher—Throttle Body Screw
54	7019464	7019464	Pump Rod
55	7005032	7005032	Clip—Pump Rod
56	7013347	7013347	Idle Stop Screw (Standard)
56	7006213	7006213	Idle Stop Screw (Overdrive)
56	7029427	7029427	Idle Stop Screw (Velocity Governor)
—	7029428	7029428	Spring—Idle Stop Screw (Velocity Governor)
57	7025486	N.L.A.	Throttle Body Assembly (Standard)
57	N.L.A.	—	Throttle Body Assembly (Velocity Governor)
57	7025933	7031720	Throttle Body Assembly (Overdrive)
58	7013470	7013470	Idle Needle
59	7011479	7011479	Spring—Idle Needle
60	3704952	3704952	Flange Gasket

**1968 ROCHESTER CARBURETOR MODEL M
6 CYLINDER**



PARTS SHOWN ARE FOR IDENTIFICATION ONLY. CONSULT PARTS LIST FOR CORRECT PART NAME AND NUMBER

	230 CU. IN. ALL	250 CU. IN. ALL	292 CU. IN. 1/2 TON	292 CU. IN. 3/4 TON	APPLICATION
	7028006	7028007	7028012	7028013	CARBURETOR No. STD.
	7028010	7028011	—	—	CARBURETOR No. — VEL. GOV.
	7028006	7028007	7036328	7036328	REPLACEMENT PACKAGE
	7039147	7036326	7036329	7036329	OVERHAUL KIT
	7039147	7039147	7039147	7039147	POWER KIT
	7036546	7036546	7036546	7036546	GASKET SET

Illus. No.	AIR HORN PARTS				
1	7034043	7034043	7034043	7034043	Air Horn Assembly
2	7038912	7038912	7038912	7038912	Screw — Air Horn — Long
3	7014698	7014698	7014698	7014698	Screw — Air Horn — Short
4	7037773	7037773	7037773	7037773	Bracket — Air Cleaner Stud
5	7037573	7037573	7037573	7037573	Screw — Bracket Attaching
6	7036315	7036315	7036315	7036315	Idle Vent Valve Kit
7	7035298	7035298	7035298	7035298	Gasket — Air Horn
	CHOKE PARTS				
8	7034022	7034022	7034022	7034022	Choke Shaft and Lever Assembly
9	7034012	7034012	7034012	7034012	Choke Valve
10	7020926	7020926	7020926	7020926	Screw — Choke Valve
11	7035700	7035700	7035700	7035700	Spring — Choke Valve
12	7034057	7034057	7034057	7034057	Choke Rod
13	7034078	7034078	7034078	7034078	Choke Lever
14	838884	838884	838884	838884	Retainer — Choke Lever
15	7034068	7034068	7034068	7034068	Cam — First Idle
16	7003561	7003561	7003561	7003561	Screw — Cam Attaching



1968 ROCHESTER CARBURETOR MODEL M

6 CYLINDER

	230 CU. IN. ALL	250 CU. IN. ALL	292 CU. IN. 1/2 TON	292 CU. IN. 3/4 TON	APPLICATION
	7028006	7028007	7028012	7028013	CARBURETOR No. STD.
	7028010	7028011	—	—	CARBURETOR No.—VEL. GOV.
Illus. No.	FLOAT BOWL PARTS				
17	7036375	7036376	7036381	7036381	Float Bowl Assembly — Standard
17	7036379	7036380	—	—	Float Bowl Assembly — Vel. Gov.
18	7033940	7033940	7033940	7033940	Idle Tube Assembly
19	7034203	7034209	7034228	7034228	Jet — Main Metering
20	7002117	7002117	7002117	7002117	Ball — Pump Discharge
21	7002118	7002118	7002118	7002118	Spring — Pump Discharge
22	7003838	7003838	7003838	7003838	Guide — Pump Discharge
23	7035133	7035133	7035133	7035133	Needle and Seat Assembly
24	7019535	7019535	7019535	7019535	Gasket — Needle Seat
24A	7035870	7035870	—	—	Idle Compensator Assembly
24B	7027970	7027970	—	—	Gasket — Idle Compensator
25	7035725	7035725	7035725	7035725	Bracket — Bowden Wire
26	7034030	7034030	7034030	7034030	Screw — Bowden Wire Bracket
27	7034033	7034033	7034033	7034033	Float Assembly
28	7034032	7034032	7034032	7034032	Hinge Pin — Float
29	7035295	7035295	7035295	7035295	Power Piston Assembly
30	7012515	7012515	7012515	7012515	Spring — Power Piston
31	7035297	7035297	7035297	7035297	Rod — Power Piston
32	7035929	7035932	7035934	7035934	Metering Rod and Spring Assembly
33	7034880	7034880	7033500	7033500	Filter Nut — Standard
33	7033500	7033500	—	—	Filter Nut — Vel. Gov.
34	7032508	7032508	7032508	7032508	Gasket — Filter Nut
35	5651393	5651393	5651393	5651393	Filter — Fuel Inlet
36	7031539	7031539	7031539	7031539	Spring — Fuel Filter
37	7034034	7034034	7034034	7034034	Screw — Slow Idle
38	7037595	7037595	7037595	7037595	Pump Assembly
39	7034048	7034048	7034048	7034048	Lever — Pump Actuating
40	7008694	7008694	7008694	7008694	Spring — Pump Return
	THROTTLE BODY PARTS				
41	7034149	7034149	7036327	7036327	Throttle Body Assembly
42	7037767	7037767	7037767	7037767	Gasket — Throttle Body
43	7001669	7001669	7013116	7013116	Idle Needle
44	7001666	7001666	7011479	7011479	Spring — Idle Needle
45	7035787	7035787	7035787	7035787	Screw — Throttle Body
46	7038049	7038049	7038049	7038049	Lever — Pump and Power Rods
47	7034016	7034016	7034016	7034016	Screw — Lever Attaching
48	7035502	7035502	7035502	7035502	Link — Power Piston Rod
49	7034054	7034054	7035267	7035267	Link — Pump Lever
50	3953732	3953732	3953732	3953732	Gasket — Flange

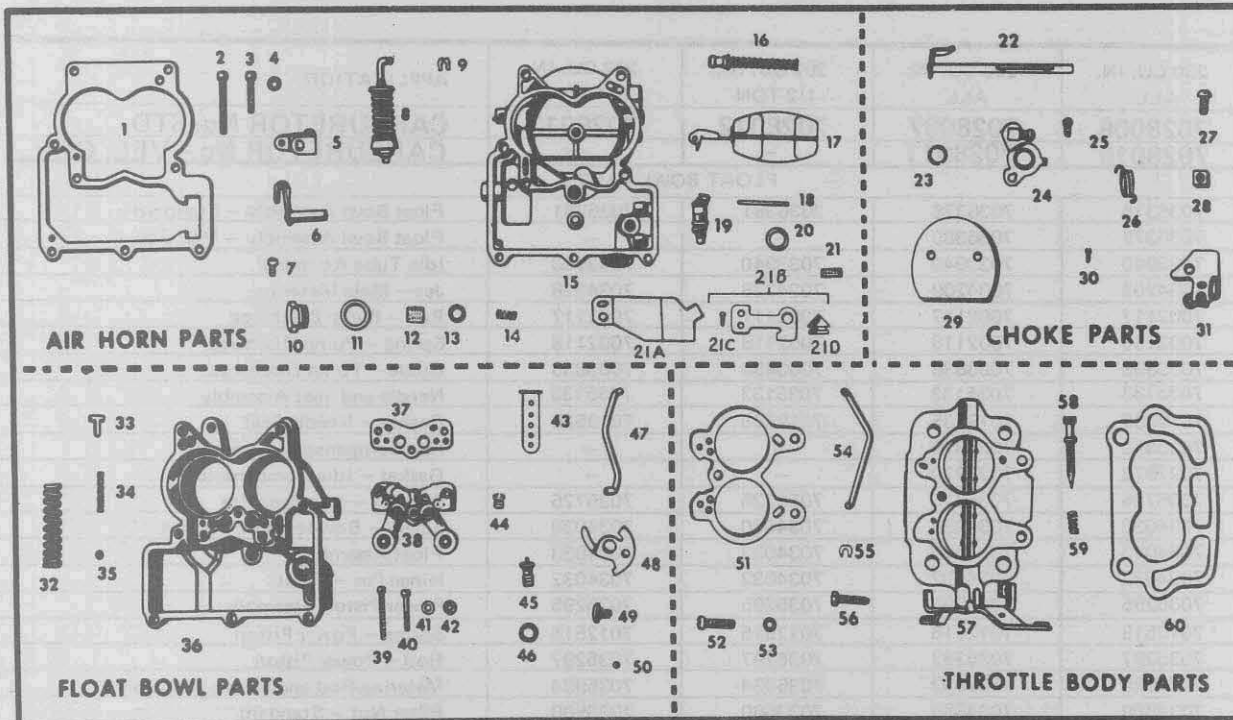
ACCESSORIES

7036445

Diverter Valve Assembly



1968 ROCHESTER CARBURETOR MODEL 2G
307 CUBIC INCH ENGINE



PARTS SHOWN ARE FOR IDENTIFICATION ONLY. CONSULT PARTS LIST FOR CORRECT PART NAME AND NUMBER

1/2 TON EARLY	3/4 TON EARLY	1/2 TON LATE	3/4 TON LATE	APPLICATION
7028105	7028107	7028125	7028127	STANDARD CARBURETOR No.
7028106	7028111	—	—	VELOCITY GOVERNOR CARBURETOR No.
7028100	—	—	—	OVERDRIVE CARBURETOR No.
7028125	7028127	7028125	7028127	REPLACEMENT PACKAGE No. (Standard)
7028106	7028111	—	—	REPLACEMENT PACKAGE No. (Velocity Gov.)
7028100	—	—	—	REPLACEMENT PACKAGE No. (Overdrive)
7036533	7036533	7036533	7036533	OVERHAUL KIT
7039009	7039009	7039009	7039009	POWER CARBURETOR KIT
7015952	7015952	7015952	7015952	GASKET SET

Illus. No.

AIR HORN PARTS

Illus. No.	1/2 TON EARLY	3/4 TON EARLY	1/2 TON LATE	3/4 TON LATE	DESCRIPTION
1	7008600	7008600	7008600	7008600	Gasket - Air Horn
2	7010432	7010432	7010432	7010432	Screw - Air Horn (Long)
3	7006119	7006119	7006119	7006119	Screw - Air Horn (Short)
4	120217	120217	120217	120217	Lockwasher - Air Horn Screw
5	7032377	7032377	7032377	7032377	Lever - Pump Inside
6	7006975	7006975	7006975	7006975	Pump Shaft and Lever Assembly
7	7011270	7011270	7011270	7011270	Screw - Pump Lever
8	7031823	7031823	7031823	7031823	Pump Assembly
9	7005032	7005032	7005032	7005032	Clip - Pump Plunger
10	7013525	7013525	7013525	7013525	Nut - Filter
11	7032508	7032508	7032508	7032508	Gasket - Filter Nut
12	7013404	7013404	7013404	7013404	Filter - Fuel Inlet
13	7013584	7013584	7013584	7013584	Gasket - Filter
14	7034356	7034356	7034356	7034356	Spring - Filter
15	7036429	7036429	7036429	7036429	Air Horn Assembly



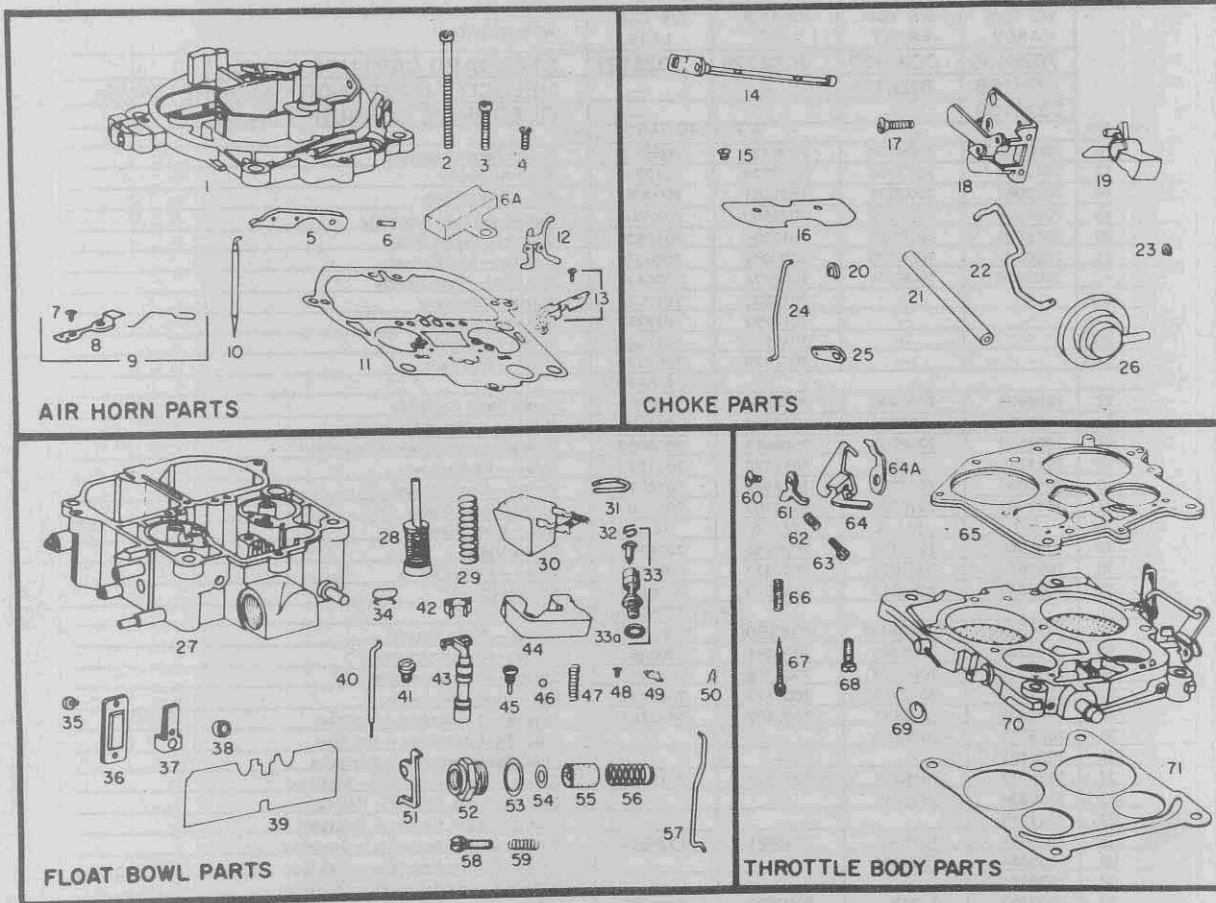
1968 ROCHESTER CARBURETOR MODEL 2G
307 CUBIC INCH ENGINE

	1/2 TON EARLY	3/4 TON EARLY	1/2 TON LATE	3/4 TON LATE	APPLICATION
	7028105	7028107	7028125	7028127	STANDARD CARBURETOR No.
	7028106	7028111	--	--	VELOCITY GOVERNOR CARBURETOR No.
	7028100	--	--	--	OVERDRIVE CARBURETOR No.
Illus. No.	AIR HORN PARTS (Con't.)				
16	7006323	7006323	7006323	7006323	Power Piston Assembly
17	7012974	7012974	7012974	7012974	Float Assembly
18	7002081	7002081	7002081	7002081	Pin - Float Hinge
19	7023809	7023809	7023809	7023809	Needle and Seat Assembly
20	7019535	7019535	7019535	7019535	Gasket - Needle Seat
21	7006079	7006079	7006079	7006079	Strainer - Needle Seat
--	7006474	7006474	7006474	7006474	Pull Clip - Float Needle
21A	--	--	7012835	7012835	Shield - Idle Vent
21B	--	--	7012252	7012252	Idle Vent Valve Kit
21C	--	--	7012548	7012548	Screw - Vent Valve
21D	--	--	7007129	7007129	Valve - Idle Vent
	CHOKE PARTS				
22	7006806	7006806	7006806	7006806	Choke Shaft Assembly
23	838884	838884	838884	838884	Retainer - Choke Lever
24	7006803	7006803	7006803	7006803	Choke Lever and Swivel Assembly
25	7011270	7011270	7011270	7011270	Screw - Choke Lever
26	7019892	7019892	7019892	7019892	Spring - Choke Valve
27	7019707	7019707	7019707	7019707	Screw - Wire Clamp
28	N.L.A.	N.L.A.	N.L.A.	N.L.A.	Nut - Wire Clamp
29	7025955	7025955	7025955	7025955	Choke Valve
30	7007627	7007627	7007627	7007627	Screw - Choke Valve
31	7006812	7006812	7006812	7006812	Bracket Choke
	FLOAT BOWL PARTS				
32	7043600	7043600	7043600	7043600	Spring - Pump Return
33	7000286	7000286	7000286	7000286	Guide - Pump Discharge
34	7002118	7002118	7002118	7002118	Spring - Pump Discharge
35	7002117	7002117	7002117	7002117	Ball - Pump Discharge
36	7036402	7025691	7036402	7025691	Float Bowl Assembly - Standard
36	7025691	7036402	--	--	Float Bowl Assembly - Vel. Gov.
36	7036402	--	--	--	Float Bowl Assembly - Overdrive
37	7031719	7019534	7031719	7019534	Gasket - Venturi Cluster - Standard
37	7019534	7031719	--	--	Gasket - Vent. Cluster - Vel. Gov.
37	7031719	--	--	--	Gasket - Vent. Cluster - Overdrive
38	7035691	7035984	7035691	7035984	Venturi Cluster Assembly - Standard
38	7035984	7035641	--	--	Venturi Cluster Assembly - Vel. Gov.
38	7035641	--	--	--	Venturi Cluster Assembly - Overdrive
39	7000293	7000293	7000293	7000293	Screw - Venturi Cluster - Outer
40	7000294	7000294	7000294	7000294	Screw - Venturi Cluster - Center
41	7000295	7000295	7000295	7000295	Gasket - Cluster Center Screw
42	121841	121841	121841	121841	Lockwasher - Outer Screws
43	7021528	7021528	7021528	7021528	Insert - Main Well
44	7002653	7002655	7002653	7002655	Jet - Main Metering - Standard
44	7002655	7002653	--	--	Jet - Main Metering - Vel. Gov.
44	7002653	--	--	--	Jet - Main Metering - Overdrive
45	7010918	7010918	7010918	7010918	Power Valve Assembly
46	7001613	7001613	7001613	7001613	Gasket - Power Valve
47	7025667	7025667	7025667	7025667	Choke Rod
48	7006810	7006810	7006810	7006810	Cam - Fast Idle
49	7003561	7003561	7003561	7003561	Screw - Cam Attaching
50	7002814	7002814	7002814	7002814	Plug - Lead Ball
	THROTTLE BODY PARTS				
51	7013881	7013881	7013881	7013881	Gasket - Throttle Body
52	7015105	7015105	7015105	7015105	Screw - Throttle Body
53	121744	121744	121744	121744	Lockwasher - Throttle Body Screw
54	7019464	7019464	7019464	7019464	Pump Rod
55	7005032	7005032	7005032	7005032	Clip - Pump Rod
56	7013347	7013347	7013347	7013347	Idle Stop Screw (Standard)
56	7006213	--	--	--	Idle Stop Screw (Overdrive)
56	7029427	7029427	--	--	Idle Stop Screw (Velocity Governor)
--	7029428	7029428	--	--	Spring - Idle Stop Screw (Velocity Governor)
57	7037762	7035542	7037762	7035542	Throttle Body Assembly (Standard)
57	7035541	7037763	--	--	Throttle Body Assembly (Velocity Governor)
57	7037761	--	--	--	Throttle Body Assembly (Overdrive)
58	7013116	7013116	7013116	7013116	Idle Needle
59	7011479	7011479	7011479	7011479	Spring - Idle Needle
60	3704952	3704952	3704952	3704952	Flange Gasket

7036446	Diverter Valve Assembly
---------	-------------------------



1968-69 ROCHESTER CARBURETOR MODEL 4MV
327, 350 & 396 CUBIC INCH ENGINES 4BC



PARTS SHOWN ARE FOR IDENTIFICATION ONLY. CONSULT PARTS LIST FOR CORRECT PART NAME AND NUMBER

Illus. No.	1968		1969		YEAR	APPLICATION
	396 CU. IN.	327 CU. IN.	396 CU. IN.	350 CU. IN. Exc. O.A.I.		
	7028217	7028213	7029214	7029223	7029224	CARBURETOR No.
	7016817	7016849	7016925	7016923	7016923	REPLACEMENT PACKAGE No.
	7016839	7016851	7036561	7036563	7036563	OVERHAUL KIT
	7039126	7039133	7039150	7039149	7039149	POWER CARBURETOR KIT
	7016843	7016843	7036565	7036565	7036565	GASKET SET
	AIR HORN PARTS					
1	7034897	7034898	7037948	7037949	7037949	Air Horn Assembly
2	7029912	7029912	7029912	7029912	7029912	Screw - Air Horn
3	7014699	7014699	7014699	7014699	7014699	Screw - Air Horn
4	7031105	7031105	7031105	7031105	7031105	Screw - Air Horn
5	7037309	7037309	7037309	7037309	7037309	Lever - Pump Actuating
6	9423241	9423241	9423241	9423241	9423241	Roll Pin - Pump and Lockout Levers
6A	7035431	7035431	7035431	7035431	7035431	Shield - Idle Vent
7	7012548	7012548	7012548	7012548	7012548	Screw - Idle Vent Valve
8	7029993	7029993	7029993	7029993	7029993	Valve - Idle Vent
9	7036425	7036425	7036669	7036669	7036669	Idle Vent Valve Kit
10	7033549	7034320	7034300	7034320	7034320	Metering Rod - Secondary
11	7035561	7035561	7035561	7035561	7035561	Gasket - Air Horn
12	-	-	-	-	-	Lockout Lever - Air Valve
13	7034522	7034522	7034522	7034522	7034522	Secondary Metering Rod Holder Kit
	7035344	7035344	7035344	7035344	7035344	Air Valve Spring and Cam Kit



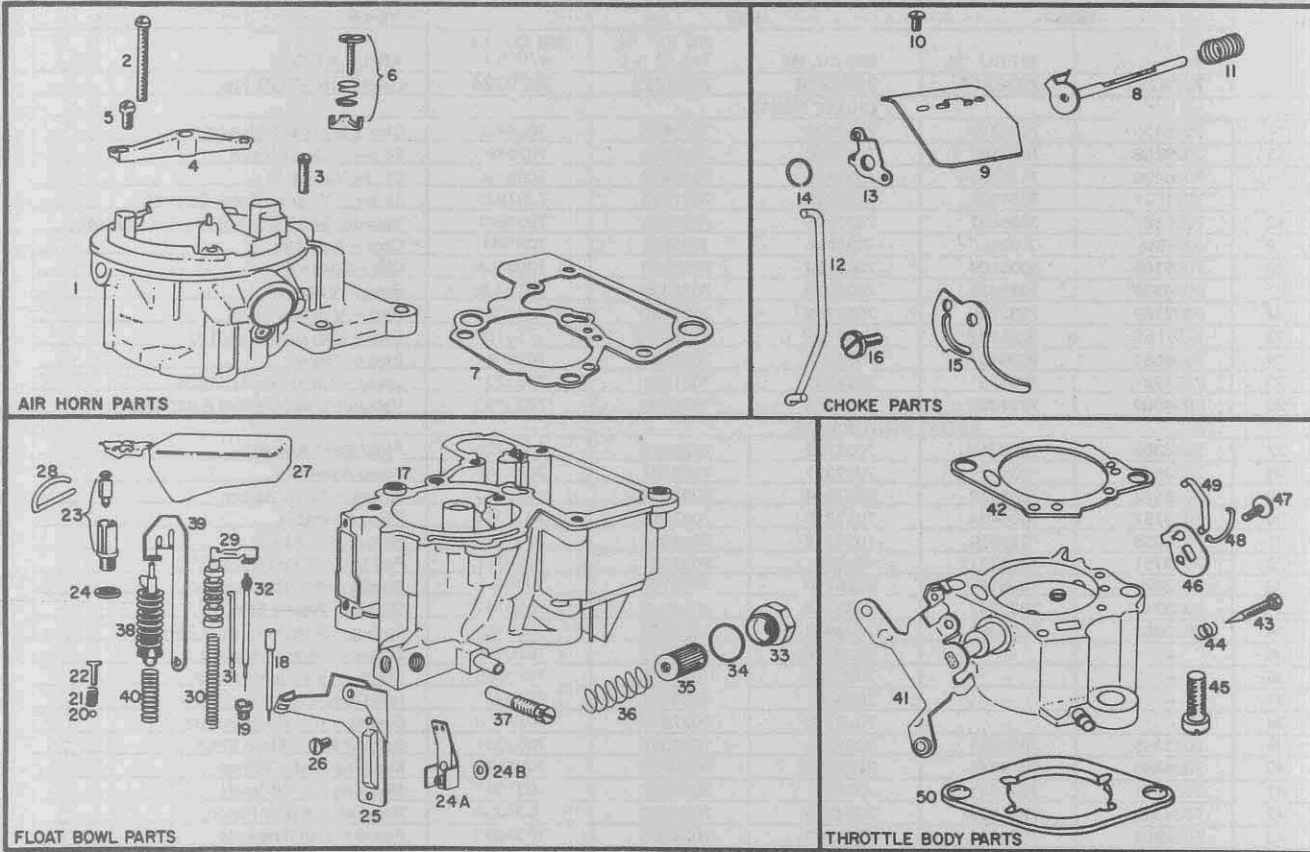
1968-69 ROCHESTER CARBURETOR MODEL 4MV
327, 350 & 396 CUBIC INCH ENGINES 4BC

	1968		1969			YEAR
	396 CU. IN. 7028217	327 CU. IN. 7028213	396 CU. IN.	350 CU. IN. Exc. O.A.I. 7029223	350 CU. IN. w/O.A.I. 7029224	APPLICATION CARBURETOR No.
CHOKE PARTS						
14	7036430	7036430	7036430	7036430	7036430	Choke Shaft and Lever Kit
15	7029866	7029866	7029866	7029866	7029866	Screw - Choke Valve
16	7036430	7036430	7036430	7036430	7036430	Choke Valve Kit
17	7031925	7031925	7031925	7031925	7031925	Screw - Vacuum Break Control
18	7036367	7036367	7037501	7037501	7037501	Vacuum Break Control Bracket Assembly
19	7038845	7038844	7038844	7038844	7038844	Cam - Fast Idle
20	7005109	7005109	7005109	7005109	7005109	Clip - Choke Rod
21	7026339	7026339	7026339	7026339	7026339	Hose - Vacuum
22	7032789	7032789	7032789	7032789	7032789	Rod - Vacuum Break
23	836159	836159	836159	836159	836159	Clip - Vacuum Break Rod
24	7036067	7036067	7036067	7036067	7036067	Rod - Choke
25	7031231	7031231	7031231	7031231	7031231	Lever - Intermediate Choke
26	7034909	7034909	7035493	7035493	7035493	Vacuum Break Control Assembly
FLOAT BOWL PARTS						
27	7036309	7036319	7036722	7036719	7036719	Float Bowl Assembly
28	7036140	7034111	7037327	7037337	7037337	Pump Assembly
29	7035672	7035672	7037314	7037314	7037314	Spring - Pump Return
30	7033752	7034454	7037316	7037316	7037316	Float Assembly
31	7029856	7029856	7037317	7037317	7037317	Hinge Pin - Float
32	7033751	7033751	7033751	7033751	7033751	Pull Clip - Float Needle
33	7023899	7035130	7035140	7035130	7035130	Needle and Seat Assembly
33A	7033747	7033747	7033747	7033747	7033747	Gasket - Needle Seat
34	7029862	7029862	7029862	7029862	7029862	Spring - Metering Rod - Primary
35	-	-	7020926	7020926	7020926	Screw - Cover Attaching
36	-	-	7029865	7029865	7029865	Cover - Idle Compensator
37	-	-	7034461	7034461	7034461	Idle Compensator Assembly
38	-	-	7027970	7027970	7027970	Gasket - Idle Compensator
39	7031365	7032324	7031365	7032324	7032324	Baffle Plate - Float Bowl
40	7034845	7034846	7034845	7034838	7034838	Metering Rod - Primary
41	7031971	7031971	7031971	7031967	7031967	Metering Jet - Primary
42	7034339	7034339	7034339	7034339	7034339	Retainer - Power Piston
43	7034903	7034903	7034903	7034903	7034903	Power Piston Assembly
44	7034361	7034361	7037319	7037319	7037319	Insert - Float Bowl
45	7029849	7029849	7029849	7029849	7029849	Retainer - Pump Discharge Ball
46	7002117	7002117	7002117	7002117	7002117	Ball - Pump Discharge
47	7036019	7036019	7037851	7037851	7037851	Spring - Power Piston
48	-	-	-	-	-	Screw - Diaphragm Retainer
49	-	-	-	-	-	Retainer - Float Needle Diaphragm
50	836159	836159	836159	836159	836159	Clip - Pump Rod
51	7029868	7029868	7029868	7029868	7029868	Lockout Lever - Secondary
52	7034659	7034659	7034659	7034659	7034659	Filter Nut - Fuel Inlet
53	7032508	7032508	7032508	7032508	7032508	Gasket - Inlet Nut
54	-	-	-	-	-	Gasket - Filter
55	5651393	5651393	5651393	5651393	5651393	Filter - Fuel Inlet
56	7034356	7034356	7034356	7034356	7034356	Spring - Inlet Filter
57	7032716	7032716	7032716	7032716	7032716	Rod - Pump
58	7002121	7002121	7002121	7002121	7002121	Screw - Idle Stop
59	7003176	7003176	7003176	7003176	7003176	Spring - Idle Stop Screw
THROTTLE BODY PARTS						
60	7035523	7035523	7035523	7035523	7035523	Screw - Cam and Fast Idle Levers Attaching
61	7035806	7035806	7035806	7035806	7035806	Lever - Fast Idle
62	7029900	7029900	7029900	7029900	7029900	Spring - Fast Idle Screw
63	7029899	7029899	7029899	7029899	7029899	Screw - Fast Idle Adjusting
64	7035409	7035409	7035409	7035409	7035409	Lever - Cam Follower
64A	7035840	7035840	7035840	7035840	7035840	Lever - Wide Open Kick
65	7035752	7035752	7037326	7037326	7037326	Gasket - Throttle Body
66	7011479	7011479	7011479	7011479	7011479	Spring - Idle Needle
67	7048860	7048860	7032327	7032327	7032327	Needle - Idle Adjusting
68	7029891	7029891	7035790	7035790	7035790	Screw - Throttle Body
69	7035772	7035772	7035772	7035772	7035772	Spring - Cam Follower Lever
70	7036410	7036406	7036590	7036696	7036773	Throttle Body Assembly
71	3884574	3884574	3884574	3884574	3884574	Gasket - Flange

ACCESSORIES				
7036448	7036452	7029299	7029295	Diverter Valve Assembly



1969 ROCHESTER CARBURETOR MODEL M
6 CYLINDER — MANUAL CHOKE



PARTS SHOWN ARE FOR IDENTIFICATION ONLY. CONSULT PARTS LIST FOR CORRECT PART NAME AND NUMBER

	250 CU. IN. G-10	250 CU. IN. OTHER	292 CU. IN. ALL	APPLICATION
	7029007	7029011	7029012	CARBURETOR No.
	7016907	7016907	7016906	REPLACEMENT PACKAGE
	7036574	7036574	7036573	OVERHAUL KIT
	7039147	7039147	7039147	POWER CARBURETOR KIT
	7036546	7036546	7036546	GASKET SET

Illus. No.	AIR HORN PARTS			
1	7037040	7037040	7037040	Air Horn Assembly
2	7038912	7038912	7038912	Screw — Air Horn — Long
3	7014698	7014698	7014698	Screw — Air Horn — Short
4	7037773	7037773	7037773	Bracket — Air Cleaner Stud
5	7037573	7037573	7037573	Screw — Bracket Attaching
6	7036348	7036348	7036348	Idle Vent Valve Kit
7	7037591	7037591	7037591	Gasket — Air Horn
	CHOKE PARTS			
8	7034022	7034022	7034022	Choke Shaft and Lever Assembly
9	7034012	7034012	7034012	Choke Valve
10	7020926	7020926	7020926	Screw — Choke Valve
11	7035700	7035700	7035700	Spring — Choke Valve
12	7037000	7037000	7037000	Choke Rod
13	7037007	7037007	7037007	Choke Lever
14	838884	838884	838884	Retainer — Choke Lever
15	7037005	7037005	7037005	Cam — First Idle
16	7003561	7003561	7003561	Screw — Cam Attaching



1969 ROCHESTER CARBURETOR MODEL M 6 CYLINDER — MANUAL CHOKE

Illus. No.	250 CU. IN. G-10	250 CU. IN. OTHER	292 CU. IN. ALL	APPLICATION
	7029007	7029011	7029012	CARBURETOR No.
FLOAT BOWL PARTS				
17	7036664	7036665	7036677	Float Bowl Assembly
18	7033940	7033940	7033940	Idle Tube Assembly
19	7034206	7034206	7034228	Jet — Main Metering
20	7002117	7002117	7002117	Ball — Pump Discharge
21	7002118	7002118	7002118	Spring — Pump Discharge
22	7003838	7003838	7003838	Guide — Pump Discharge
23	7035133	7035133	7035133	Needle and Seat Assembly
24	7019535	7019535	7019535	Gasket — Needle Seat
24A	7035870			Idle Compensator Assembly
24B	7027970			Gasket — Idle Compensator
25	7035725	7035725	7035725	Bracket — Bowden Wire
26	7034030	7034030	7034030	Screw — Bowden Wire Bracket
27	7037022	7037022	7037022	Float Assembly
28	7034032	7034032	7034032	Hinge Pin — Float
29	7037804	7037804	7037804	Power Piston Assembly
30	7012515	7012515	7034360	Spring — Power Piston
31	7035297	7035297	7035297	Rod — Power Piston
32	7037974	7037974	7037979	Metering Rod and Spring Assembly
33	7034880	7033500	7033500	Filter Nut
34	7032508	7032508	7032508	Gasket — Filter Nut
35	5651393	5651393	5651393	Filter — Fuel Inlet
36	7031539	7031539	7031539	Spring — Fuel Filter
37	7034034	7034034	7034034	Screw — Slow Idle
38	7037597	7037597	7037597	Pump Assembly
39	7034048	7034048	7034048	Lever — Pump Actuating
40	7008694	7008694	7008694	Spring — Pump Return
THROTTLE BODY PARTS				
41	7042487	7042487	7042488	Throttle Body Assembly
42	7037767	7037767	7037767	Gasket — Throttle Body
43	7048860	7048860	7029198	Idle Needle
44	7011479	7011479	7011479	Spring — Idle Needle
45	7035787	7035787	7035787	Screw — Throttle Body
46	7035501	7035501	7035501	Lever — Pump and Power Rods
47	7010435	7010435	7010435	Screw — Lever Attaching
48	7035502	7035502	7035502	Link — Power Piston Rod
49	7037981	7037981	7035267	Link — Pump Lever
50	3953732	3953732	3953732	Gasket — Flange

ACCESSORIES

7029198

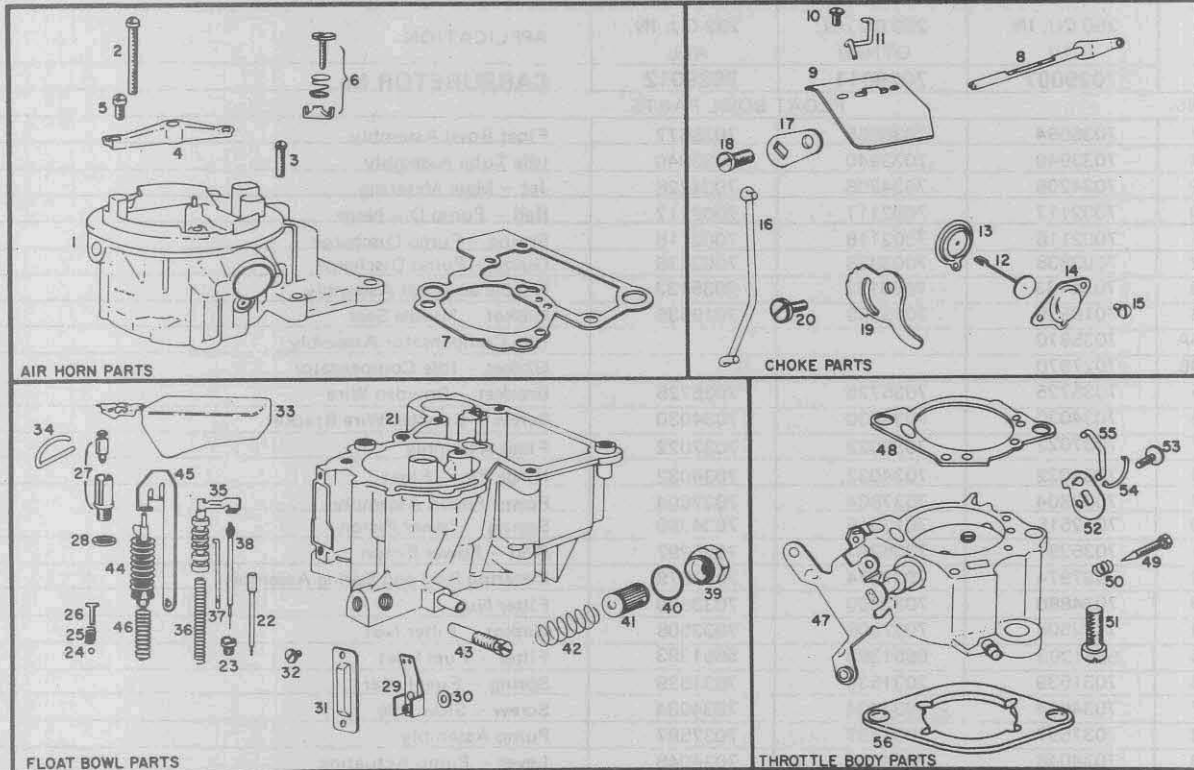
Diverter Valve Assembly (All except P&G Series)

7029292

Diverter Valve Assembly (P&G Series)



1969 ROCHESTER CARBURETOR MODEL MV
6 CYLINDER — AUTOMATIC CHOKE



PARTS SHOWN ARE FOR IDENTIFICATION ONLY. CONSULT PARTS LIST FOR CORRECT PART NAME AND NUMBER

250 CU. IN.	292 CU. IN.	APPLICATION
7029021	7029022	CARBURETOR No.
7016921	7016908	REPLACEMENT PACKAGE No.
7036574	7036573	OVERHAUL KIT
7039147	7039147	POWER CARBURETOR KIT
7036546	7036546	GASKET SET

Illus No.	AIR HORN PARTS		
1	7037805	7037588	Air Horn Assembly
2	7038912	7038912	Screw — Air Horn — Long
3	7014698	7014698	Screw — Air Horn — Short
4	7037773	7037773	Bracket — Air Cleaner Stud
5	7037573	7037573	Screw — Bracket Attaching
6	7036348	7036348	Idle Vent Valve Kit
7	7037591	7037591	Gasket — Air Horn
	CHOKE PARTS		
8	7034009	7034009	Choke Shaft and Lever Assembly
9	7034012	7034012	Choke Valve
10	7020926	7020926	Screw — Choke Valve
11	7034013	7034013	Connector — Vacuum Break Link
12	7035877	7037827	Vacuum Break Link Assy.
13	7034017	7034017	Diaphragm — Vacuum Break
14	7034018	7034018	Cover — Vacuum Break
15	7020926	7020926	Screw — Cover
16	7037000	7037000	Choke Rod
17	7037001	7037001	Choke Lever
18	7019709	7019709	Screw — Choke Lever
19	7037682	7037682	Cam — Fast Idle
20	7019773	7019773	Screw — Cam Attaching



1969 ROCHESTER CARBURETOR MODEL MV
6 CYLINDER — AUTOMATIC CHOKE

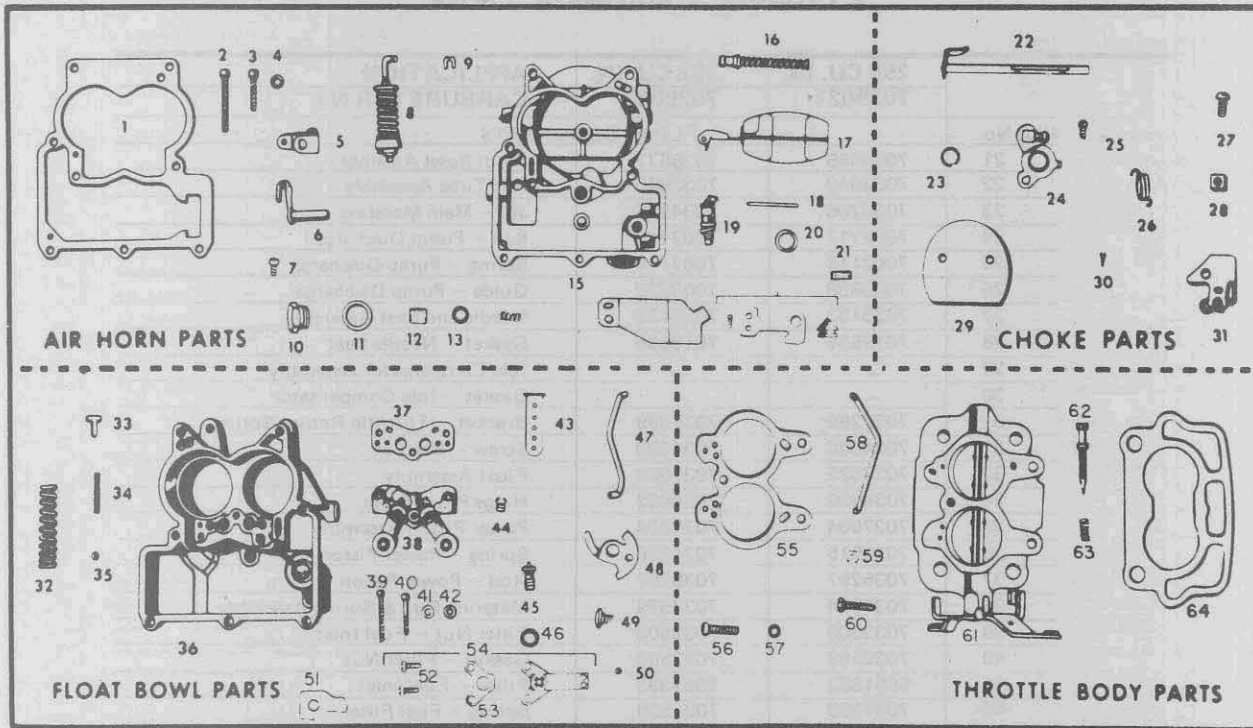
	250 CU. IN. 7029021	292 CU. IN. 7029022	APPLICATION CARBURETOR No.
Illus No.	FLOAT BOWL PARTS		
21	7036665	7036677	Float Bowl Assembly
22	7033940	7033940	Idle Tube Assembly
23	7034206	7034228	Jet — Main Metering
24	7002117	7002117	Ball — Pump Discharge
25	7002118	7002118	Spring — Pump Discharge
26	7003838	7003838	Guide — Pump Discharge
27	7035133	7035133	Needle and Seat Assembly
28	7019535	7019535	Gasket — Needle Seat
29	—	—	Idle Compensator Assembly
30	—	—	Gasket — Idle Compensator
31	7037299	7037299	Bracket — Throttle Return Spring
32	7034030	7034030	Screw — Bracket
33	7037022	7037022	Float Assembly
34	7034032	7034032	Hinge Pin — Float
35	7037804	7037804	Power Piston Assembly
36	7012515	7034360	Spring — Power Piston
37	7035297	7035297	Rod — Power Piston
38	7037974	7037979	Metering Rod & Spring Assembly
39	7033500	7033500	Filter Nut — Fuel Inlet
40	7032508	7032508	Gasket — Filter Nut
41	5651393	5651393	Filter — Fuel Inlet
42	7031539	7031539	Spring — Fuel Filter
43	7034034	7034034	Screw — Slow Idle
44	7037597	7037597	Pump Assembly
45	7034048	7034048	Lever — Pump Actuating
46	7008694	7008694	Spring — Pump Return
	THROTTLE BODY PARTS		
47	7037038	7037047	Throttle Body Assembly
48	7037767	7037767	Gasket — Throttle Body
49	7048860	7032327	Idle Needle
50	7011479	7011479	Spring — Idle Needle
51	7038875	7038875	Screw — Throttle Body
52	7035501	7035501	Lever — Pump and Power Rods
53	7010435	7010435	Screw — Lever Attaching
54	7035502	7035502	Link — Power Piston Rod
55	7037981	7035267	Link — Pump Lever
56	3953732	3953732	Gasket — Flange

ACCESSORIES

7029198	Diverter Valve Assembly (Except P&G Series)
7029292	Diverter Valve Assembly (P&G Series)



1969-70 ROCHESTER CARBURETOR MODEL 2G
307 CUBIC INCH ENGINE - MANUAL CHOKE



PARTS SHOWN ARE FOR IDENTIFICATION ONLY. CONSULT PARTS LIST FOR CORRECT PART NAME AND NUMBER

	STANDARD	VEL. GOV.	G-10	APPLICATION
	7029107	7029108	7029125	CARBURETOR No.
	7016917	7016911	7016917	REPLACEMENT PACKAGE No.
	7036533	7036533	7036533	OVERHAUL KIT
	7039009	7039009	7039009	POWER CARBURETOR KIT
	7015952	7015952	7015952	GASKET SET
Illus. No.	AIR HORN PARTS			
1	7008600	7008600	7008600	Gasket - Air Horn
2	7010432	7010432	7010432	Screw - Air Horn (Long)
3	7006119	7006119	7006119	Screw - Air Horn (Short)
4	120217	120217	120217	Lockwasher - Air Horn Screw
5	7037255	7037255	7037255	Lever - Pump Inside
6	7036764	7036764	7036764	Pump Shaft and Lever Assembly
7	7011270	7011270	7011270	Screw - Pump Lever
-	7019568	7019568	7019568	Washer - Pump Lever
8	7031823	7031823	7031823	Pump Assembly
9	7005032	7005032	7005032	Clip - Pump Plunger
10	7013525	7013525	7013525	Nut - Filter
11	7032508	7032508	7032508	Gasket - Filter Nut
12	7013404	7013404	7013404	Filter - Fuel Inlet
13	7013584	7013584	7013584	Gasket - Filter
14	7034356	7034356	7034356	Spring - Filter
15	7036577	7036577	7036577	Air Horn Assembly



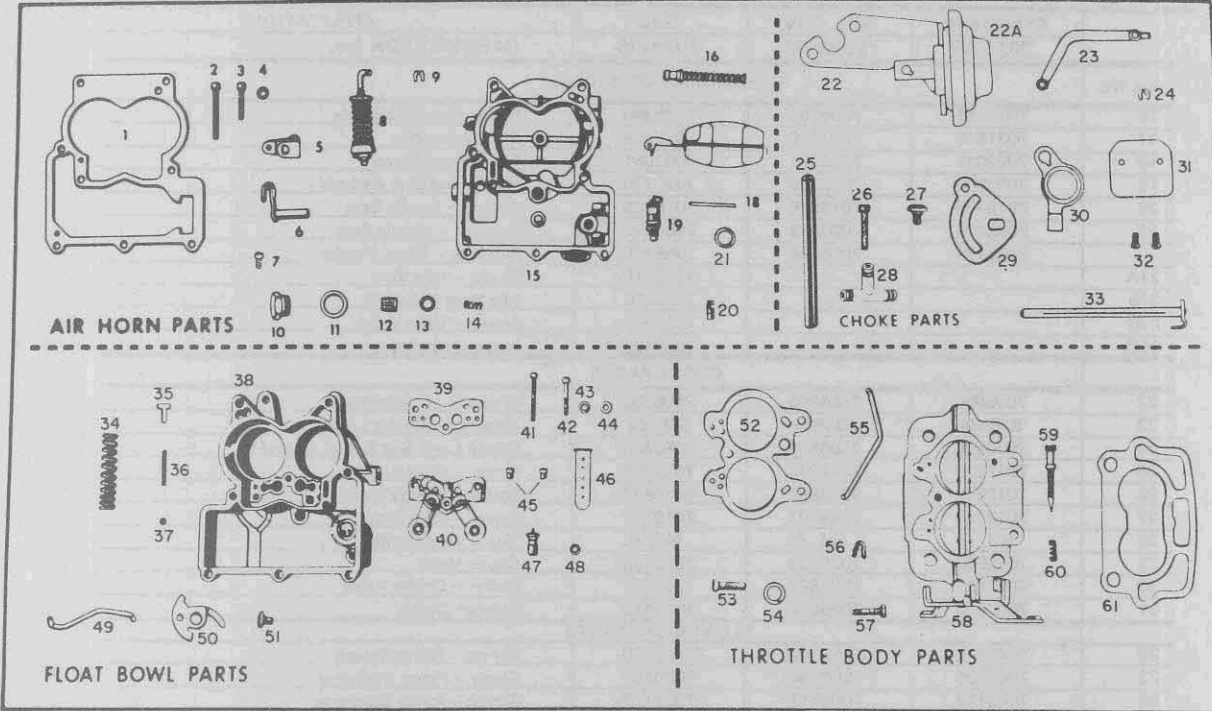
1969-70 ROCHESTER CARBURETOR MODEL ZG
307 CUBIC INCH ENGINE—MANUAL CHOKE

	STANDARD 7029107	VEL. GOV. 7029108	G-10 7029125	APPLICATION CARBURETOR No.
AIR HORN PARTS (Con't.)				
16	7034359	7034359	7034359	Power Piston Assembly
17	7037519	7037519	7037519	Float Assembly
18	7002081	7002081	7002081	Pin — Float Hinge
19	7023809	7023809	7023809	Needle and Seat Assembly
20	7019535	7019535	7019535	Gasket — Needle Seat
21	7006079	7006079	7006079	Strainer — Needle Seat
—	7006474	7006474	7006474	Pull Clip — Float Needle
21A	—	—	7037718	Shield — Idle Vent
21B	—	—	7036556	Idle Vent Valve Kit
21C	—	—	7012548	Screw — Vent Valve
21D	—	—	7007129	Valve — Idle Vent
CHOKE PARTS				
22	7006806	7006806	7006806	Choke Shaft Assembly
23	838884	838884	838884	Retainer — Choke Lever
24	7006803	7006803	7006803	Choke Lever and Swivel Assembly
25	7011270	7011270	7011270	Screw — Choke Lever
26	7019892	7019892	7019892	Spring — Choke Valve
27	7019707	7019707	7019707	Screw — Wire Clamp
28	N.L.A.	N.L.A.	N.L.A.	Nut — Wire Clamp
29	7025955	7025955	7025955	Choke Valve
30	7007627	7007627	7007627	Screw — Choke Valve
31	7006812	7006812	7006812	Bracket Choke
FLOAT BOWL PARTS				
32	7043600	7043600	7043600	Spring — Pump Return
33	7000286	7000286	7000286	Guide — Pump Discharge
34	7002118	7002118	7002118	Spring — Pump Discharge
35	7002117	7002117	7002117	Ball — Pump Discharge
36	7036402	7036402	7036403	Float Bowl Assembly
37	7031719	7031719	7031719	Gasket — Venturi Cluster
38	7037760	7037760	7037760	Venturi Cluster Assembly
39	7000293	7000293	7000293	Screw — Venturi Cluster — Outer
40	7000294	7000294	7000294	Screw — Venturi Cluster — Center
41	7000295	7000295	7000295	Gasket — Cluster Center Screw
42	121841	121841	121841	Lockwasher — Outer Screws
43	7021528	7021528	7021528	Insert — Main Well
44	7002652	7002652	7002652	Jet — Main Metering
45	7037115	7037115	7037115	Power Valve Assembly
46	7001613	7001613	7001613	Gasket — Power Valve
47	7025667	7025667	7025667	Choke Rod
48	7006810	7006810	7006810	Cam — Fast Idle
49	7003561	7003561	7003561	Screw — Cam Attaching
50	7002814	7002814	7002814	Plug — Lead Ball
51	—	—	7013937	Cover — Idle Compensator
52	—	—	7015127	Screw — Cover
53	—	—	7013341	Gasket — Idle Compensator
54	—	—	7036644	Idle Compensator Kit
THROTTLE BODY PARTS				
55	7013881	7013881	7013881	Gasket — Throttle Body
58	7015105	7015105	7015105	Screw — Throttle Body
57	121744	121744	121744	Lockwasher — Throttle Body Screw
58	7019464	7019464	7019464	Pump Rod
59	7005032	7005032	7005032	Clip — Pump Rod
60	7029427	7029427	7029427	Idle Stop Screw
—	7029428	7029428	7029428	Spring — Idle Stop Screw
61	7037143	7038022	7037126	Throttle Body Assembly
62	7013116	7013116	7013116	Idle Needle
63	7011479	7011479	7011479	Spring — Idle Needle
64	3704952	3798751	3704952	Flange Gasket

ACCESSORIES	
7029294	Diverter Valve Assembly (C, G and K Series)
7029193	Diverter Valve Assembly (P Series)



1969 ROCHESTER CARBURETOR MODEL 2GV
307 CUBIC INCH ENGINE — AUTOMATIC CHOKE



PARTS SHOWN ARE FOR IDENTIFICATION ONLY. CONSULT PARTS LIST FOR CORRECT PART NAME AND NUMBER

	7029105	CARBURETOR No.
	7016905	REPLACEMENT PKG. No.
	7036533	OVERHAUL KIT
	7039009	POWER CARBURETOR KIT
	7015952	GASKET SET
Illus. No.		AIR HORN PARTS
1	7008600	Gasket — Air Horn
2	7010432	Screw — Air Horn (Long)
3	7006119	Screw — Air Horn (Short)
4	120217	Lockwasher — Air Horn Screws
5	7037255	Lever — Pump Inside
6	7036764	Pump Shaft and Lever Assembly
7	7011270	Screw — Pump Lever
—	7019568	Washer — Pump Lever
8	7031823	Pump Assembly
9	7005032	Clip — Pump Plunger
10	7013525	Nut — Fuel Filter
11	7032508	Gasket — Fuel Filter
12	7013404	Filter — Fuel Inlet
13	7013584	Gasket — Fuel Filter
14	7034356	Spring — Fuel Filter
15	7036583	Air Horn Assembly



1969 ROCHESTER CARBURETOR MODEL 2GV
307 CUBIC INCH ENGINE — AUTOMATIC CHOKE

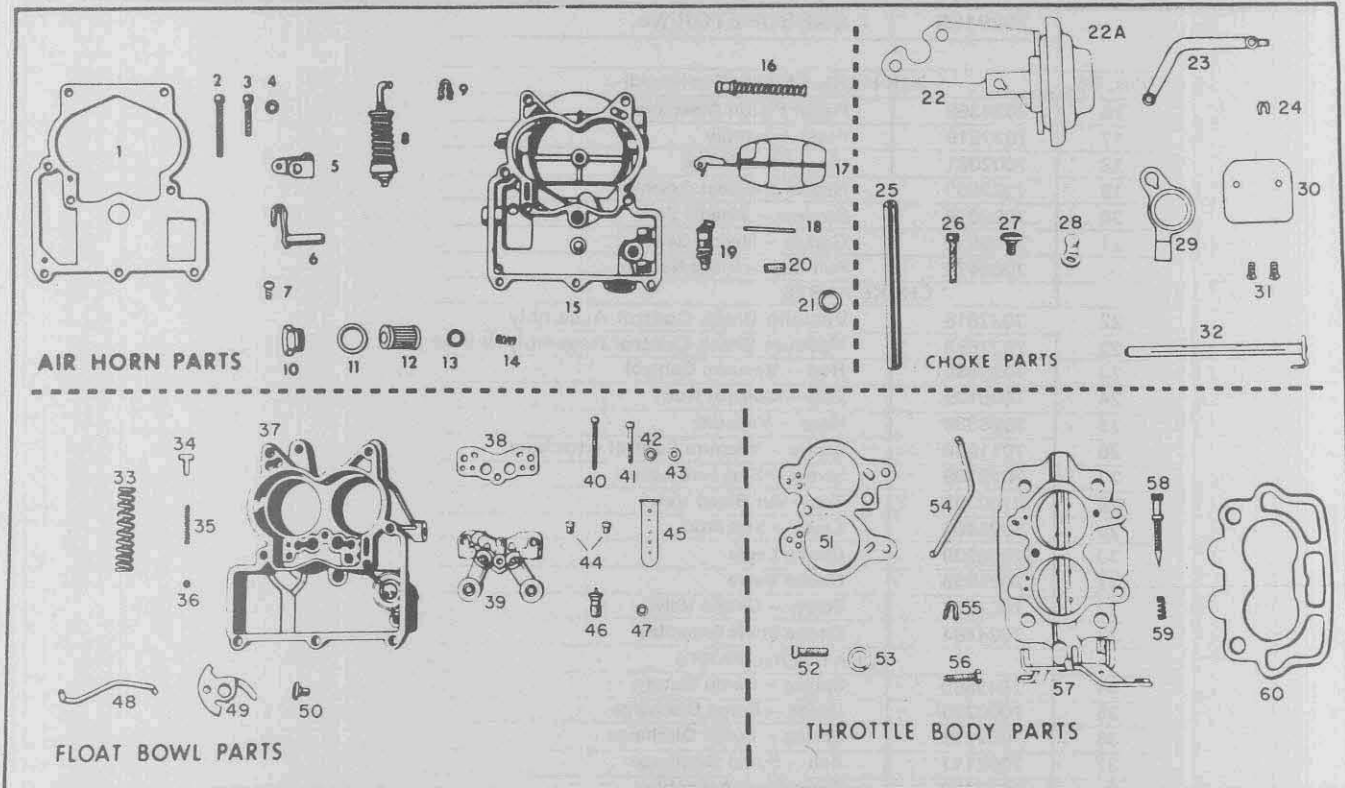
	7029105	CARBURETOR No.
Illus. No.	AIR HORN PARTS (Continued)	
16	7034359	Power Piston Assembly
17	7037519	Float Assembly
18	7002081	Pin — Float Hinge
19	7023809	Needle and Seat Assembly
20	7006079	Strainer — Needle Seat
21	7019535	Gasket — Needle Seat
—	7006474	Pull Clip — Float Needle
	CHOKE PARTS	
22	7037915	Vacuum Break Control Assembly
22	7027653	Vacuum Break Control Assembly & Brkt.
23	7026685	Rod — Vacuum Control
24	7005109	Clip — Control Rod
25	7026339	Hose — Vacuum
26	7011270	Screw — Vacuum Control Attaching
27	7019709	Screw — Stat Rod Lever
28	3760758	Tee — Air Bleed Valve
29	7026469	Lever — Stat Rod
30	7026239	Choke Lever
31	7025955	Choke Valve
32	7007627	Screw — Choke Valve
33	7024464	Choke Shaft Assembly
	FLOAT BOWL PARTS	
34	7043600	Spring — Pump Return
35	7000286	Guide — Pump Discharge
36	7002118	Spring — Pump Discharge
37	7002117	Ball — Pump Discharge
38	7036402	Float Bowl Assembly
39	7031719	Gasket — Venturi Cluster
40	7037760	Venturi Cluster Assembly
41	7000293	Screw — Venturi Cluster — Outer
42	7000294	Screw — Cluster — Center
43	121841	Lockwasher — Outer Screws
44	7000295	Gasket — Center Screw
45	7002652	Jet — Standard
46	7021528	Insert — Main Well
47	7037115	Power Valve Assembly
48	7001613	Gasket — Power Valve
49	7026559	Choke Rod
50	7035923	Cam — Fast Idle
51	7003561	Screw — Cam Attaching
	THROTTLE BODY PARTS	
52	7013881	Gasket — Throttle Body
53	7015105	Screw — Throttle Body
54	121744	Lockwasher — Throttle Body Screws
55	7019464	Pump Rod
56	1875293	Clip — Pump Rod
57	7029427	Idle Stop Screw
—	7029428	Spring — Idle Stop Screw
58	7037002	Throttle Body Assembly
59	7013116	Idle Adjusting Needle
60	7011479	Spring — Idle Needle
61	3704952	Gasket — Flange

ACCESSORIES

7029294	Diverter Valve Assembly
---------	-------------------------



1969 ROCHESTER CARBURETOR MODEL 2GV
350 CUBIC INCH ENGINE 2BC



PARTS SHOWN ARE FOR IDENTIFICATION ONLY. CONSULT PARTS LIST FOR CORRECT PART NAME AND NUMBER

MAN. TRANS. STANDARD	APPLICATION
7029121	CARBURETOR No.
7016909	REPLACEMENT PKG. No.
7039151	OVERHAUL KIT
7039151	POWER CARBURETOR KIT
7036582	GASKET SET

Illus. No.	AIR HORN PARTS	
1	7035815	Gasket - Air Horn
2	7010432	Screw - Air Horn (Long)
3	7006119	Screw - Air Horn (Short)
4	120217	Lockwasher - Air Horn Screws
5	7037255	Lever - Pump Inside
6	7036764	Pump Shaft and Lever Assembly
7	7011270	Screw - Pump Lever
-	7019568	Washer - Pump Lever
8	7032280	Pump Assembly
9	1875293	Clip - Pump Plunger
10	7034659	Nut - Fuel Filter
11	7032508	Gasket - Fuel Filter
12	5651393	Filter - Fuel Inlet
13	-	Gasket - Fuel Filter
14	7034356	Spring - Fuel Filter
15	7036551	Air Horn Assembly



**1969 ROCHESTER CARBURETOR MODEL 2GV
350 CUBIC INCH ENGINE 2BC**

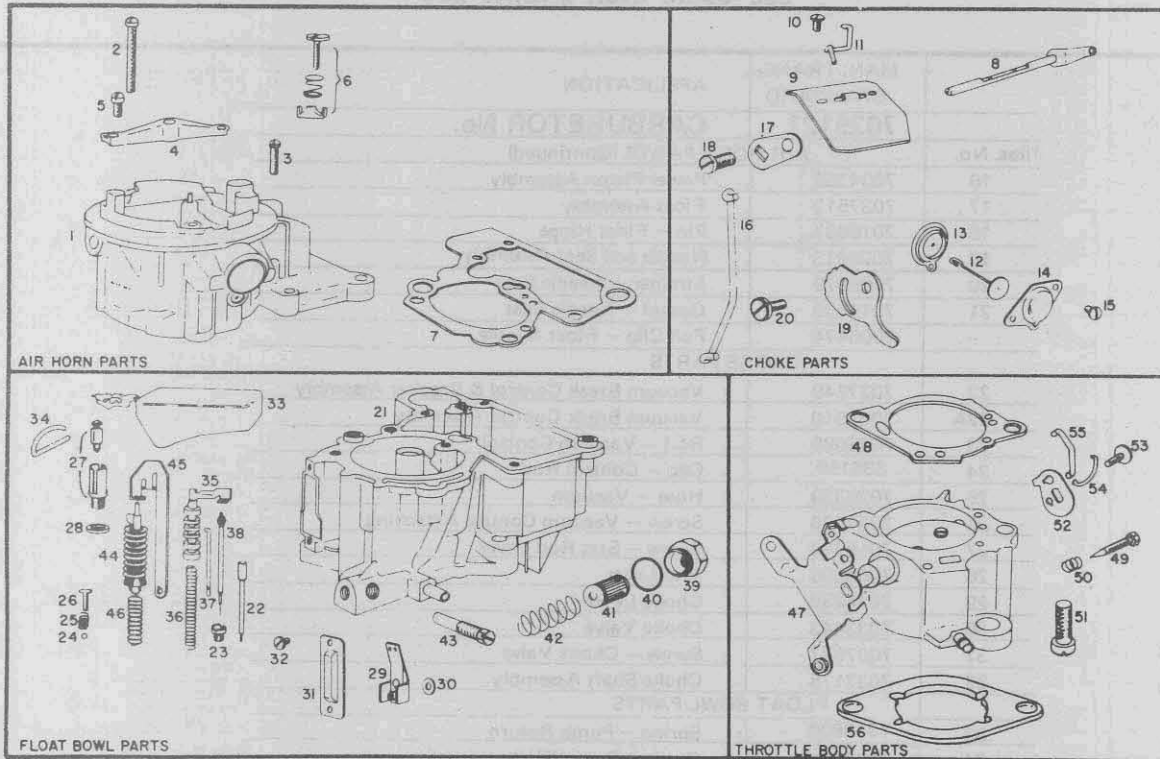
	MAN. TRANS. STANDARD	APPLICATION
	7029121	CARBURETOR No.
Illus. No.	AIR HORN PARTS (Continued)	
16	7034359	Power Piston Assembly
17	7037512	Float Assembly
18	7010037	Pin - Float Hinge
19	7023813	Needle and Seat Assembly
20	7006079	Strainer - Needle Seat
21	7019535	Gasket - Needle Seat
-	7006474	Pull Clip - Float Needle
	CHOKE PARTS	
22	7027649	Vacuum Break Control & Bracket Assembly
22A	7037910	Vacuum Break Control Assembly
23	7026685	Rod - Vacuum Control
24	836159	Clip - Control Rod
25	7026339	Hose - Vacuum
26	7037570	Screw - Vacuum Control Attaching
27	7019709	Screw - Stat Rod Lever
28	7006596	Trip Lever
29	7026239	Choke Lever
30	7033443	Choke Valve
31	7007627	Screw - Choke Valve
32	7037175	Choke Shaft Assembly
	FLOAT BOWL PARTS	
33	7043600	Spring - Pump Return
34	7000286	Guide - Pump Discharge
35	7002118	Spring - Pump Discharge
36	7002117	Ball - Pump Discharge
37	7036580	Float Bowl Assembly
38	7019533	Gasket - Venturi Cluster
39	7037757	Venturi Cluster Assembly
40	7008502	Screw - Venturi Cluster - Outer
41	7009077	Screw - Cluster - Center
42	120217	Lockwasher - Outer Screws
43	7008892	Gasket - Center Screw
44	7008667	Jet - Standard
45	7021528	Insert - Main Well
46	7022777	Power Valve Assembly
47	7011990	Gasket - Power Valve
48	7036186	Choke Rod
49	7033376	Cam - Fast Idle
50	7003561	Screw - Cam Attaching
	THROTTLE BODY PARTS	
51	7037023	Gasket - Throttle Body
52	7015105	Screw - Throttle Body
53	121744	Lockwasher - Throttle Body Screws
54	7036760	Pump Rod
55	7036760	Clip - Pump Rod
56	7029427	Idle Stop Screw
-	7029428	Spring - Idle Stop Screw
57	7037690	Throttle Body Assembly
58	7013116	Idle Adjusting Needle
59	7011479	Spring - Idle Needle
60	3942470	Gasket - Flange

7029293

Diverter Valve Assembly



1970 ROCHESTER CARBURETOR MODEL MV
6 CYLINDER - AUTOMATIC CHOKE



PARTS SHOWN ARE FOR IDENTIFICATION ONLY. CONSULT PARTS LIST FOR CORRECT PART NAME AND NUMBER.

Illus. No.	1969		1970 SERIES 10-15 EXC G-MODELS		YEAR
	250 CU. IN.	292 CU. IN.	250 CU. IN.	292 CU. IN.	APPLICATION
	7029021	7029022	7040021	7040022	CARBURETOR No.
	7016921	7016908	7047021	7047022	REPLACEMENT PACKAGE No.
	7036574	7036573	7036782	7036788	OVERHAUL KIT
	7039147	7039147	7039166	7039166	POWER CARBURETOR KIT
	7036546	7036546	7036784	7036784	GASKET SET
	AIR HORN PARTS				
1	7037805	7037588	7038556	7038557	Air Horn Assembly
2	7038912	7038912	7038912	7038912	Screw - Air Horn - Long
3	7014698	7014698	7014698	7014698	Screw - Air Horn - Short
4	7037773	7037773	7037773	7037773	Bracket - Air Cleaner Stud
5	7038913	7038913	7038913	7038913	Screw - Bracket Attaching
6	7036348	7036348	-	-	Idle Vent Valve Kit
7	7037591	7037591	7037591	7037591	Gasket - Air Horn
	CHOKE PARTS				
8	7036973	7036973	7036973	7036973	Choke Shaft and Lever Assembly
9	7034012	7034012	7034012	7034012	Choke Valve
10	7020926	7020926	7020926	7020926	Screw - Choke Valve
11	7034013	7034013	7034013	7034013	Connector - Vacuum Break Link
12	7035877	7037827	7040646	7037827	Vacuum Break Link Assy.
13	7034017	7034017	7034017	7034017	Diaphragm - Vacuum Break
14	7034018	7034018	7034018	7034018	Cover - Vacuum Break
15	7020926	7020926	7020926	7020926	Screw - Cover
16	7037000	7037000	7037000	7037000	Choke Rod
17	N.S.S.	N.S.S.	N.S.S.	N.S.S.	Choke Lever
18	7019709	7019709	7019709	7019709	Screw - Choke Lever
19	7037682	7037682	7040633	7040633	Cam - Fast Idle
20	7003561	7003561	7003561	7003561	Screw - Cam Attaching

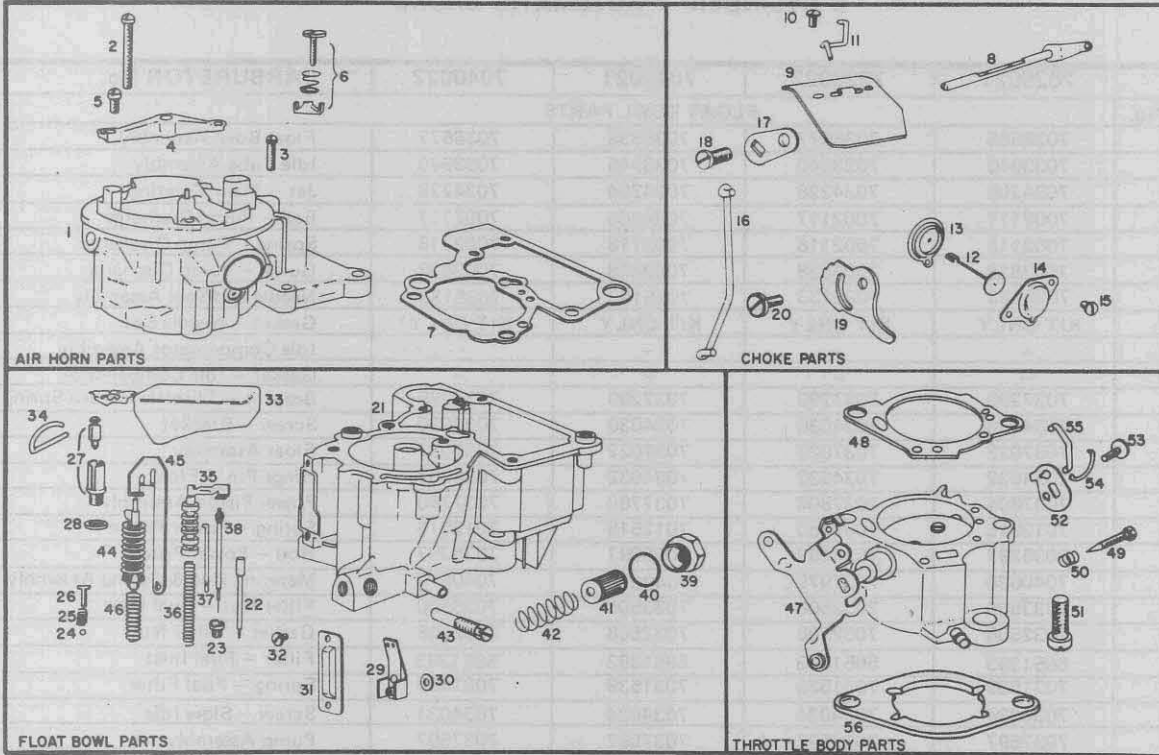


1970 ROCHESTER CARBURETOR MODEL MV
6 CYLINDER - AUTOMATIC CHOKE

	7029021	7029022	7040021	7040022	CARBURETOR No.
Illus. No.	FLOAT BOWL PARTS				
21	7036665	7036677	7036838	7036677	Float Bowl Assembly
22	7033940	7033940	7033946	7033940	Idle Tube Assembly
23	7034206	7034228	7034204	7034228	Jet - Main Metering
24	7002117	7002117	7034205	7002117	Ball - Pump Discharge
25	7002118	7002118	7002118	7002118	Spring - Pump Discharge
26	7003838	7003838	7003838	7003838	Guide - Pump Discharge
27	7035133	7035133	7035133	7035133	Needle and Seat Assembly
28	KIT ONLY	KIT ONLY	KIT ONLY	KIT ONLY	Gasket - Needle Seat
29	-	-	-	-	Idle Compensator Assembly
30	-	-	-	-	Gasket - Idle Compensator
31	7037299	7037299	7037299	7037299	Bracket - Throttle Return Spring
32	7034030	7034030	7034030	7034030	Screw - Bracket
33	7037022	7037022	7037022	7037022	Float Assembly
34	7034032	7034032	7034032	7034032	Hinge Pin - Float
35	7037804	7037804	7037780	7037780	Power Piston Assembly
36	7012515	7034360	7012515	7012515	Spring - Power Piston
37	7035297	7035297	7035297	7035297	Rod - Power Piston
38	7040630	7037979	7040630	7040673	Metering Rod & Spring Assembly
39	7033500	7033500	7033500	7033500	Filter Nut - Fuel Inlet
40	7032508	7032508	7032508	7032508	Gasket - Filter Nut
41	5651393	5651393	5651393	5651393	Filter - Fuel Inlet
42	7031539	7031539	7031539	7031539	Spring - Fuel Filter
43	7034034	7034034	7034034	7034034	Screw - Slow Idle
44	7037597	7037597	7037597	7037597	Pump Assembly
45	7034048	7034048	7042670	7042670	Lever - Pump Actuating
46	7008694	7008694	7008694	7008694	Spring - Pump Return
	THROTTLE BODY PARTS				
47	7037038	7037047	7040671	7040672	Throttle Body Assembly
48	KIT ONLY	KIT ONLY	KIT ONLY	KIT ONLY	Gasket - Throttle Body
49	7048860	7032327	7048860	7013116	Idle Needle
50	7011479	7011479	7011479	7011479	Spring - Idle Needle
51	7038875	7038875	7038875	7038875	Screw - Throttle Body
52	7038049	7038049	7038049	7038049	Lever - Pump and Power Rods
53	7010435	7010435	7010435	7010435	Screw - Lever Attaching
54	7035502	7035502	7035502	7035502	Link - Power Piston Rod
55	7037981	7037855	7037855	7037855	Link - Pump Lever
56	3953732	3953732	3953732	3953732	Gasket - Flange (Non California)
-	-	-	3967065	3967065	Gasket - Flange (California)
-	-	-	3967076	3967076	Insulator - Flange (California)



1970 ROCHESTER CARBURETOR MODEL MV
6 CYLINDER - AUTOMATIC CHOKE



PARTS SHOWN ARE FOR IDENTIFICATION ONLY. CONSULT PARTS LIST FOR CORRECT PART NAME AND NUMBER

Illus. No.	G-MODELS	SERIES 20-35		APPLICATION
	250 CU. IN.	250 CU. IN.	292 CU. IN.	
	7040007	7040025	7040026	CARBURETOR No.
	7041337	7036923	7036924	REPLACEMENT PACKAGE No.
	7036782	7036925	7041639	OVERHAUL KIT
	7039166	7039166	7039166	POWER CARBURETOR KIT
	7036784	7036784	7036784	GASKET SET
AIR HORN PARTS				
1	7038556	7038838	7038839	Air Horn Assembly
2	7038912	7038912	7038912	Screw - Air Horn - Long
3	7014698	7014698	7014698	Screw - Air Horn - Short
4	7037773	7037773	7037773	Bracket - Air Cleaner Stud
5	7038913	7038913	7038913	Screw - Bracket Attaching
6	7036348	7036348	7036348	Idle Vent Valve Kit
7	7037591	7037591	7037591	Gasket - Air Horn
CHOKE PARTS				
8	7036973	7036973	7036973	Choke Shaft and Lever Assembly
9	7034012	7034012	7034012	Choke Valve
10	7020926	7020926	7020926	Screw - Choke Valve
11	7034013	7034013	7034013	Connector - Vacuum Break Link
12	7040646	7035877	7037827	Vacuum Break Link Assy.
13	7034017	7034017	7034017	Diaphragm - Vacuum Break
14	7034018	7034018	7034018	Cover - Vacuum Break
15	7020926	7020926	7020926	Screw - Cover
16	7037000	7037000	7037000	Choke Rod
17	-	-	-	Choke Lever
18	7019709	7019709	7019709	Screw - Choke Lever
19	7040633	7040633	7040633	Cam - Fast Idle
20	7003561	7003561	7003561	Screw - Cam Attaching

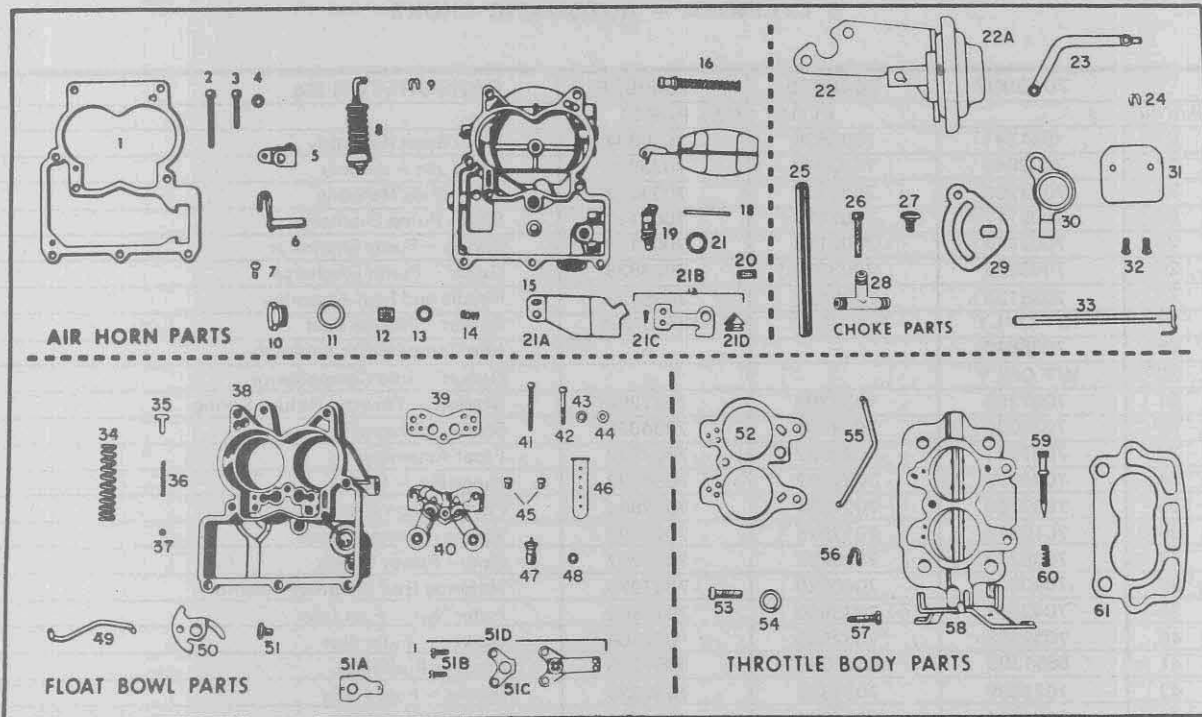


1970 ROCHESTER CARBURETOR MODEL MV
6 CYLINDER - AUTOMATIC CHOKE

	7040007	7040025	7040026	CARBURETOR No.
Illus. No.	FLOAT BOWL PARTS			
21	7041341	7036836	7036837	Float Bowl Assembly
22	7033946	7033940	7033940	Idle Tube Assembly
23	7034205	7034206	7034228	Jet - Main Metering
24	7002117	7002117	7002117	Ball - Pump Discharge
25	7002118	7002118	7002118	Spring - Pump Discharge
26	7003838	7003838	7003838	Guide - Pump Discharge
27	7035133	7035133	7035133	Needle and Seat Assembly
28	KIT ONLY	KIT ONLY	KIT ONLY	Gasket - Needle Seat
29	7038840	-	-	Idle Compensator Assembly
30	KIT ONLY	-	-	Gasket - Idle Compensator
31	7037299	7037299	7037299	Bracket - Throttle Return Spring
32	7034030	7034030	7034030	Screw - Bracket
33	7037022	7037022	7037022	Float Assembly
34	7034032	7034032	7034032	Hinge Pin - Float
35	7037780	7037804	7037804	Power Piston Assembly
36	7012515	7012515	7023993	Spring - Power Piston
37	7035297	7035297	7035297	Rod - Power Piston
38	7040630	7040630	7037979	Metering Rod & Spring Assembly
39	7042357	7033500	7033500	Filter Nut - Fuel Inlet
40	7032508	7032508	7032508	Gasket - Filter Nut
41	5651393	5651393	5651393	Filter - Fuel Inlet
42	7031539	7031539	7031539	Spring - Fuel Filter
43	7034034	7034034	7034034	Screw - Slow Idle
44	7037597	7037597	7037597	Pump Assembly
45	7042670	7042670	7042670	Lever - Pump Actuating
46	7008694	7008694	7008694	Spring - Pump Return
	THROTTLE BODY PARTS			
47	7040671	7037038	7037047	Throttle Body Assembly
48	KIT ONLY	KIT ONLY	KIT ONLY	Gasket - Throttle Body
49	7048860	7048860	7032327	Idle Needle
50	7011479	7011479	7011479	Spring - Idle Needle
51	7038875	7038875	7038875	Screw - Throttle Body
52	7038049	7038049	7038049	Lever - Pump and Power Rods
53	7010435	7010435	7010435	Screw - Lever Attaching
54	7035502	7035502	7035502	Link - Power Piston Rod
55	7037855	7037981	7037855	Link - Pump Lever
56	3953732	3953732	3953732	Gasket - Flange (Non California)
-	3967065	3967065	3967065	Gasket - Flange (California)
-	3967076	3967076	3967076	Insulator - Flange (California)



1970 ROCHESTER CARBURETOR MODEL 2GV
307 CUBIC INCH ENGINE - AUTOMATIC CHOKE



PARTS SHOWN ARE FOR IDENTIFICATION ONLY. CONSULT PARTS LIST FOR CORRECT PART NAME AND NUMBER

Illus. No.	1969	1970			YEAR
	ALL	SERIES 10-15 M/T	SERIES 10-15 A/T	SERIES 20-35	APPLICATION
	7029105	7040105	7040125	7040108	CARBURETOR No. (Non California)
	-	7040405	7040425	-	CARBURETOR No. (California)
	7016905	7047007	7047025	7047028	REPLACEMENT PKG. No.
	7036533	7036796	7036796	7036808	OVERHAUL KIT
	7039009	7039167	7039167	7039167	POWER CARBURETOR KIT
	7016952	7036797	7036797	7036797	GASKET SET
		AIR HORN PARTS			
1	7038522	7038522	7038522	7038522	Gasket - Air Horn
2	7010432	7010432	7010432	7010432	Screw - Air Horn (Long)
3	7006119	7006119	7006119	7006119	Screw - Air Horn (Short)
4	120217	120217	120217	120217	Lockwasher - Air Horn Screws
5	* 7036764	7038630	7038630	7038630	Lever - Pump Inside
6	* 7036764	7038788	7038788	7038788	Pump Shaft and Lever Assembly
7	7011270	7011270	7011270	7011270	Screw - Pump Lever
-	7019568	7019568	7019568	7019568	Washer - Pump Lever
8	7031823	7040995	7040995	7040995	Pump Assembly
9	7005032	-	-	-	Clip - Pump Plunger
10	7040952	7040952	7040952	7040952	Nut - Fuel Filter
11	7032508	7032508	7032508	7032508	Gasket - Fuel Filter
12	7013404	7013404	7013404	7013404	Filter - Fuel Inlet
13	KIT ONLY	KIT ONLY	KIT ONLY	KIT ONLY	Gasket - Fuel Filter
14	7034356	7034356	7034356	7034356	Spring - Fuel Filter
15	7036583	7036790	7036790	7036790	Air Horn Assembly

* Pump Shaft & Lever Kit



CHEV-GMC TRUCK

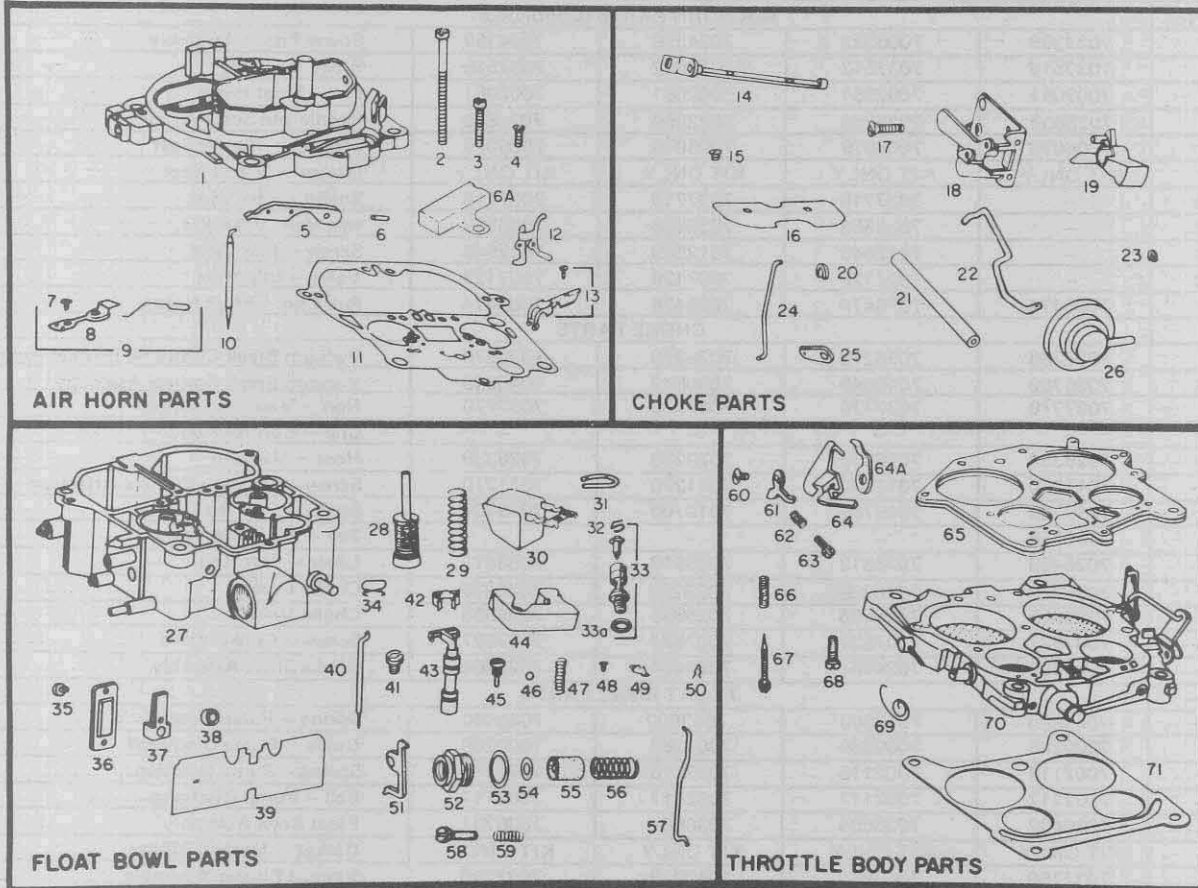
PARTS CATALOGUE

1970 ROCHESTER CARBURETOR MODEL 2GV
307 CUBIC INCH ENGINE - AUTOMATIC CHOKE

	7029105	7040105	7040125	7040108	CARBURETOR No. (Non California)
	--	7040405	7040425	--	CARBURETOR No. (California)
Illus. No.	AIR HORN PARTS (Continued)				
16	7034359	7006323	7034359	7034359	Power Piston Assembly
17	7037519	7037512	7037512	7037519	Float Assembly
18	7002081	7002081	7002081	7002081	Pin - Float Hinge
19	7023809	7023809	7023809	7023809	Needle and Seat Assembly
20	7006079	7006079	7006079	7006079	Strainer - Needle Seat
21	KIT ONLY	KIT ONLY	KIT ONLY	KIT ONLY	Gasket - Needle Seat
21A	--	7037718	7037718	7037718	Shield - Idle Vent
21B	--	7036556	7036556	7036556	Idle Vent Valve Kit
21C	--	7012548	7012548	7012548	Screw - Idle Vent
21D	--	7007129	7007129	7007129	Valve - Idle Vent
--	7006474	7006474	7006474	7006474	Pull Clip - Float Needle
	CHOKE PARTS				
22	7036768	7026278	7026278	7026278	Vacuum Break Control & Bracket Assem.
22A	7036769	7040849	7040849	7040849	Vacuum Break Control Assembly
23	7037770	7037770	7037770	7037770	Rod - Vacuum Control
24	--	--	--	--	Clip - Control Rod
25	7026339	7026339	7026339	7026339	Hose - Vacuum
26	7011270	7011270	7011270	7011270	Screw - Vacuum Control Attaching
27	7019709	7019709	7019709	7019709	Screw - Stat Rod Lever
28	3760758	--	--	--	Tee - Air Bleed Valve
29	7026469	7038612	7038612	7038612	Lever - Stat Rod
30	7026239	7026239	7026239	7026239	Choke Lever
31	7025955	7025955	7025955	7025955	Choke Valve
32	7007627	7007627	7007627	7007627	Screw - Choke Valve
33	7027891	7024464	7024464	7024464	Choke Shaft Assembly
	FLOAT BOWL PARTS				
34	7043600	7043600	7043600	7043600	Spring - Pump Return
35	7000286	7000286	7000286	7000286	Guide - Pump Discharge
36	7002118	7002118	7002118	7002118	Spring - Pump Discharge
37	7002117	7002117	7002117	7002117	Ball - Pump Discharge
38	7036402	7036804	7036804	7036791	Float Bowl Assembly
39	KIT ONLY	KIT ONLY	KIT ONLY	KIT ONLY	Gasket - Venturi Cluster
40	7037760	7040960	7040973	7037760	Venturi Cluster Assembly
41	7000293	7000293	7000293	7000293	Screw - Venturi Cluster - Outer
42	7000294	7000294	7000294	7000294	Screw - Cluster - Center
43	121841	121841	121841	121841	Lockwasher - Outer Screws
44	KIT ONLY	KIT ONLY	KIT ONLY	KIT ONLY	Gasket - Center Screw
45	7002652	7002651	7002649	7002652	Jet - Standard
46	7021528	7021528	7021528	7021528	Insert - Main Well
47	7037115	7010918	7010918	7037115	Power Valve Assembly
48	KIT ONLY	KIT ONLY	KIT ONLY	KIT ONLY	Gasket - Power Valve
49	7026559	7026559	7026559	7026559	Choke Rod
50	7035923	7026111	7035923	7029979	Cam - Fast Idle
51	7003561	7003561	7003561	7003561	Screw - Cam Attaching
51A	--	--	7013937	--	Cover - Idle Compensator
51B	--	--	7015127	--	Screw - Idle Compensator
51C	--	--	KIT ONLY	--	Gasket - Idle Compensator
51D	--	--	7036805	--	Idle Compensator Kit
	THROTTLE BODY PARTS				
52	KIT ONLY	KIT ONLY	KIT ONLY	KIT ONLY	Gasket - Throttle Body
53	7015105	7015105	7015105	7015105	Screw - Throttle Body
54	121744	121744	121744	121744	Lockwasher - Throttle Body Screws
55	7019464	7026156	7026156	7026156	Pump Rod
56	1875293	7018186	7018186	7018186	Clip - Pump Rod
57	7029427	7029427	7029427	7029427	Idle Stop Screw
--	7029428	7029428	7029428	7029428	Spring - Idle Stop Screw
58	7037002	7038914	7038783	7038455	Throttle Body Assembly (Non California)
58	--	7038532	7038529	--	Throttle Body Assembly (California)
59	7013116	7013116	7013116	7013116	Idle Adjusting Needle
60	7011479	7011479	7011479	7011479	Spring - Idle Needle
61	3704952	3704952	3704952	3704952	Gasket - Flange (Non California)
--	--	3970040	3970040	3970040	Gasket - Flange (California)
--	--	3973300	3973300	3973300	Insulator Flange (California)



1970 ROCHESTER CARBURETOR MODEL 4MV
350 & 400 CUBIC INCH ENGINE 4BC



PARTS SHOWN ARE FOR IDENTIFICATION ONLY. CONSULT PARTS LIST FOR CORRECT PART NAME AND NUMBER

Illus. No.	NON CALIFORNIA		CALIFORNIA		APPLICATION
	400 CU. IN.	350 CU. IN.	400 CU. IN.	350 CU. IN.	
	7040206	7040208	7040509	7040511	CARBURETOR No.
	7047017	7047018	7036951	7036952	REPLACEMENT PACKAGE No.
	7036944	7036945	7036860	7036843	OVERHAUL KIT
	7039171	7039174	7039171	7039174	POWER CARBURETOR KIT
	7036814	7036814	7036814	7036814	GASKET SET
	AIR HORN PARTS				
1	7040625	7040626	7038702	7038704	Air Horn Assembly
2	7029912	7029912	7029912	7029912	Screw - Air Horn
3	7014699	7014699	7014699	7014699	Screw - Air Horn
4	7031105	7031105	7031105	7031105	Screw - Air Horn
5	7021639	7021639	7021639	7021639	Lever - Pump Actuating
6	9428787	9428787	9428787	9428787	Roll Pin - Pump and Lockout Levers
6A	-	-	-	-	Shield - Idle Vent
7	-	-	-	-	Screw - Idle Vent Valve
8	-	-	-	-	Valve - Idle Vent
9	-	-	-	-	Idle Vent Valve Kit
10	7034822	7034337	7034822	7034337	Metering Rod - Secondary
11	7038841	7038841	7038841	7038841	Gasket - Air Horn
12	-	-	-	-	Lockout Lever - Air Valve
13	7034522	7034522	7034522	7034522	Secondary Metering Rod Holder Kit
-	7035344	7035344	7035344	7035344	Air Valve Spring and Cam Kit

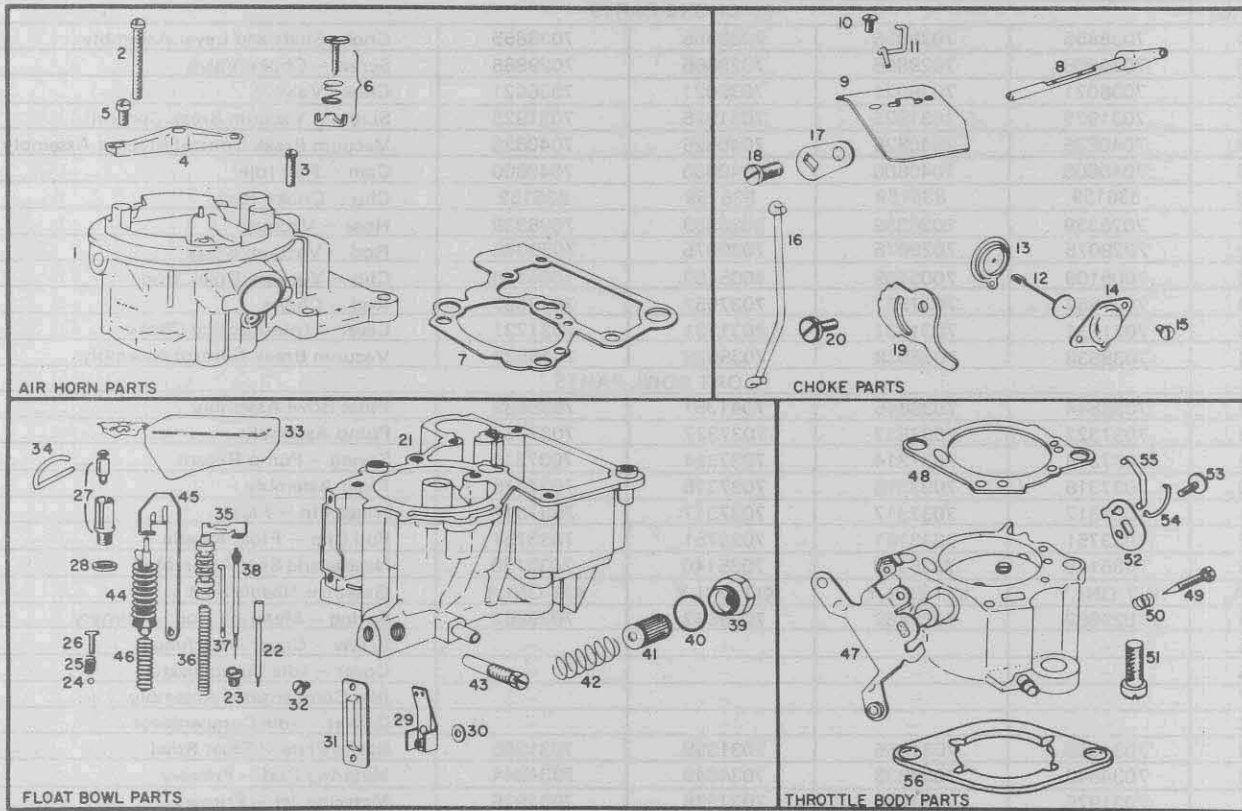


1970 ROCHESTER CARBURETOR MODEL 4MV
350 & 400 CUBIC INCH ENGINE 4 BC

	7040206	7040208	7040509	7040511	CARBURETOR No.
	CHOKE PARTS				
Illus. No.					
14	7038855	7038855	7038855	7038855	Choke Shaft and Lever Assembly
15	7029866	7029866	7029866	7029866	Screw - Choke Valve
16	7036021	7036021	7036021	7036021	Choke Valve
17	7031925	7031925	7031925	7031925	Screw - Vacuum Break Control
18	7040826	7040826	7040826	7040826	Vacuum Break Control Bracket Assembly
19	7040800	7040800	7040800	7040800	Cam - Fast Idle
20	836159	836159	836159	836159	Clip - Choke Rod
21	7026339	7026339	7026339	7026339	Hose - Vacuum
22	7029075	7029075	7029075	7029075	Rod - Vacuum Break
23	7005109	7005109	7005109	7005109	Clip - Vacuum Break Rod
24	7037557	7037557	7037557	7037557	Rod - Choke
25	7031231	7031231	7031231	7031231	Lever - Intermediate Choke
26	7038538	7038538	7038538	7038538	Vacuum Break Control Assembly
	FLOAT BOWL PARTS				
27	7036844	7036845	7041351	7036839	Float Bowl Assembly
28	7037327	7037337	7037327	7037337	Pump Assembly
29	7037314	7037314	7037314	7037314	Spring - Pump Return
30	7037316	7037316	7037316	7037316	Float Assembly
31	7037317	7037317	7037317	7037317	Hinge Pin - Float
32	7033751	7033751	7033751	7033751	Pull Clip - Float Needle
33	7035140	7035130	7035140	7035130	Needle and Seat Assembly
33A	KIT ONLY	KIT ONLY	KIT ONLY	KIT ONLY	Gasket - Needle Seat
34	7029862	7029862	7029862	7029862	Spring - Metering Rod - Primary
35	-	-	-	-	Screw - Cover Attaching
36	-	-	-	-	Cover - Idle Compensator
37	-	-	-	-	Idle Compensator Assembly
38	-	-	-	-	Gasket - Idle Compensator
39	7031365	7031365	7031365	7031365	Baffle Plate - Float Bowl
40	7034842	7034838	7034849	7034844	Metering Rod - Primary
41	7031975	7031975	7031978	7031976	Metering Jet - Primary
42	7034339	7034339	7034339	7034339	Retainer - Power Piston
43	7034903	7034903	7034903	7034903	Power Piston Assembly
44	7037319	7037319	7037319	7037319	Insert - Float Bowl
45	7029849	7029849	7029849	7029849	Retainer - Pump Discharge Ball
46	7002117	7002117	7002117	7002117	Ball - Pump Discharge
47	7036019	7036019	7036019	7036019	Spring - Power Piston
48	-	-	-	-	Screw - Diaphragm Retainer
49	-	-	-	-	Retainer - Float Needle Diaphragm
50	-	-	-	-	Clip - Pump Rod
51	7027270	7027270	7027270	7027270	Lockout Lever - Secondary
52	7040955	7040955	7040955	7040955	Filter Nut - Fuel Inlet
53	7032508	7032508	7032508	7032508	Gasket - Inlet Nut
54	-	-	-	-	Gasket - Filter
55	5651393	5651393	5651393	5651393	Filter - Fuel Inlet
56	7034356	7034356	7034356	7034356	Spring - Inlet Filter
57	7026138	7026138	7026138	7026138	Rod - Pump
58	7002121	7002121	7002121	7002121	Screw - Idle Stop
59	7003176	7003176	7003176	7003176	Spring - Idle Stop Screw
	THROTTLE BODY PARTS				
60	7035523	7035523	7035523	7035523	Screw - Cam and Fast Idle Levers Attaching
61	7035806	7035806	7035806	7035806	Lever - Fast Idle
62	7029900	7029900	7029900	7029900	Spring - Fast Idle Screw
63	7029899	7029899	7029899	7029899	Screw - Fast Idle Adjusting
64	7035409	7035409	7035409	7035409	Lever - Cam Follower
64A	7040805	7040805	7040805	7040805	Lever - Wide Open Kick
65	KIT ONLY	KIT ONLY	KIT ONLY	KIT ONLY	Gasket - Throttle Body
66	7011479	7011479	7011479	7011479	Spring - Idle Needle
67	7013116	7013116	7013116	7013116	Needle - Idle Adjusting
68	7035790	7035790	7035790	7035790	Screw - Throttle Body
69	7035772	7035772	7035772	7035772	Spring - Cam Follower Lever
70	7036918	7036919	7036949	7036919	Throttle Body Assembly
71	3967470	3967470	3972192	3972192	Gasket - Flange
			N.L.A.	N.L.A.	Insulator - Flange



1971 ROCHESTER CARBURETOR MODEL MV
250 & 292 6 CYLINDER



PARTS SHOWN ARE FOR IDENTIFICATION ONLY. CONSULT PARTS LIST FOR CORRECT PART NAME AND NUMBER

Illus. No.	SERIES 10-15		SERIES 20-35		APPLICATION
	250 CU. IN.	292 CU. IN.	250 CU. IN.	292 CU. IN.	
	7041021	7041022	7041025	7041026	CARBURETOR No.
	7047121	7047122	7047125	7047126	REPLACEMENT PACKAGE No.
	7041631	7041633	7041640	7041641	OVERHAUL KIT
	7039196	7039196	7039196	7039196	POWER CARBURETOR KIT
	7041599	7041599	7041599	7041599	GASKET SET
	AIR HORN PARTS				
1	7042480	7042483	7042484	7042485	Air Horn Assembly
2	7038912	7038912	7038912	7038912	Screw - Air Horn - Long
3	7014698	7014698	7014698	7014698	Screw - Air Horn - Short
4	7037773	7037773	7037773	7037773	Bracket - Air Cleaner Stud
5	7038913	7038913	7038913	7038913	Screw - Bracket Attaching
6	-	-	-	-	Idle Vent Valve Kit
7	7037591	7037591	7037591	7037591	Gasket - Air Horn
	CHOKE PARTS				
8	7028175	7028175	7028175	7028175	Choke Shaft and Lever Assembly
9	7034012	7034012	7034012	7034012	Choke Valve
10	7020926	7020926	7020926	7020926	Screw - Choke Valve
11	7034013	7034013	7034013	7034013	Connector - Vacuum Break Link
12	7040646	7037827	7035877	7037827	Vacuum Break Link Assy.
13	7034017	7034017	7034017	7034017	Diaphragm - Vacuum Break
14	7034018	7034018	7034018	7034018	Cover - Vacuum Break
15	7020926	7020926	7020926	7020926	Screw - Cover
16	7037000	7037000	7037000	7037000	Choke Rod
17	7026277	7026277	7026277	7026277	Choke Lever
18	7019709	7019709	7019709	7019709	Screw - Choke Lever
19	7038956	7040633	7040633	7040633	Cam - Fast Idle
20	7003561	7003561	7003561	7003561	Screw - Cam Attaching



1971 ROCHESTER CARBURETOR MODEL MV -- Cont'd.
250 & 292 6 CYLINDER

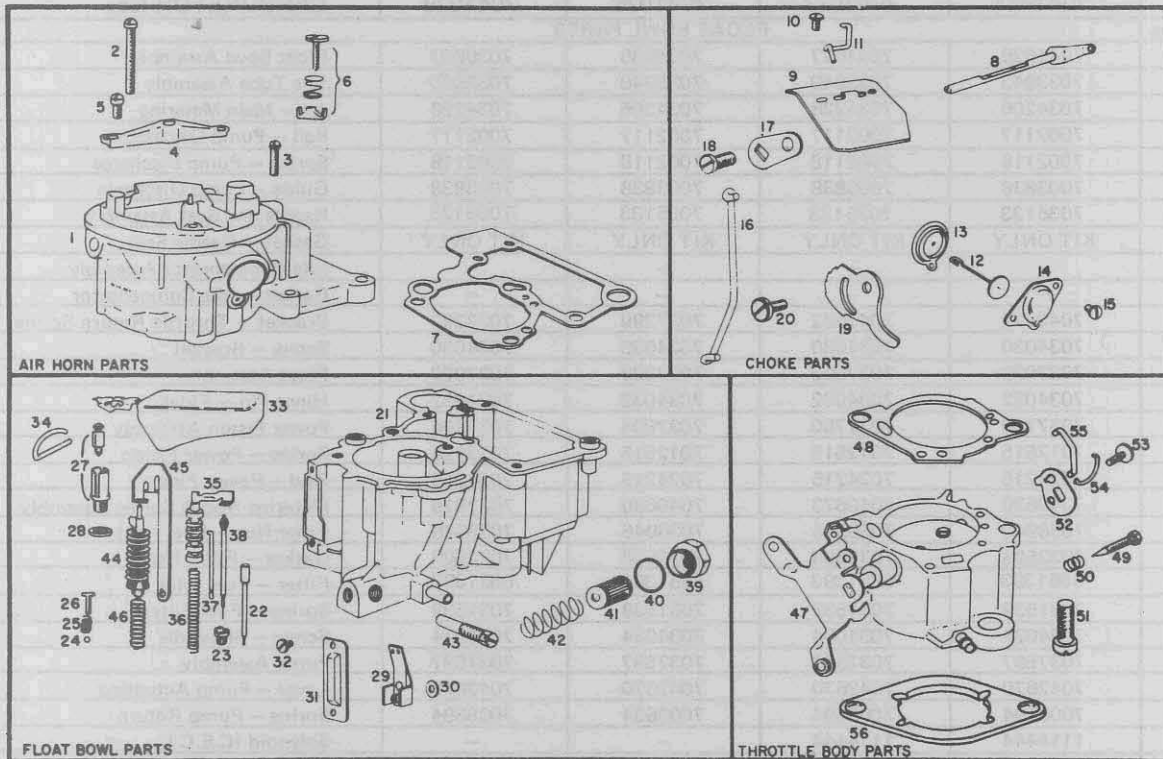
	7041021	7041022	7041025	7041026	CARBURETOR No.
Illus. No.	FLOAT BOWL PARTS				
21	7041626	7041627	7036836	7036837	Float Bowl Assembly
22	7033943	7033940	7033940	7033940	Idle Tube Assembly
23	7034206	7034228	7034206	7034228	Jet -- Main Metering
24	7002117	7002117	7002117	7002117	Ball -- Pump Discharge
25	7002118	7002118	7002118	7002118	Spring -- Pump Discharge
26	7003838	7003838	7003838	7003838	Guide -- Pump Discharge
27	7035133	7035133	7035133	7035133	Needle and Seat Assembly
28	KIT ONLY	KIT ONLY	KIT ONLY	KIT ONLY	Gasket -- Needle Seat
29	--	--	--	--	Idle Compensator Assembly
30	--	--	--	--	Gasket -- Idle Compensator
31	7042652	7042652	7037299	7037299	Bracket -- Throttle Return Spring
32	7034030	7034030	7034030	7034030	Screw -- Bracket
33	7037022	7037022	7037022	7037022	Float Assembly
34	7034032	7034032	7034032	7034032	Hinge Pin -- Float
35	7037780	7037780	7037804	7037804	Power Piston Assembly
36	7012515	7012515	7012515	7023993	Spring -- Power Piston
37	7024215	7024215	7024215	7024215	Rod -- Power Piston
38	7040630	7040673	7040630	7037979	Metering Rod & Spring Assembly
39	7038946	7038946	7038946	7038946	Filter Nut -- Fuel Inlet
40	7032508	7032508	7032508	7032508	Gasket -- Filter Nut
41	5651393	5651393	5651393	5651393	Filter -- Fuel Inlet
42	7031539	7031539	7031539	7031539	Spring -- Fuel Filter
43	7034034	7034034	7034034	7034034	Screw -- Slow Idle
44	7037597	7037597	7037597	7037597	Pump Assembly
45	7042670	7042670	7042670	7042670	Lever -- Pump Actuating
46	7008694	7008694	7008694	7008694	Spring -- Pump Return
--	1114444	1114444	--	--	Solenoid (C.E.C.)
--	7042667	7042667	--	--	Bracket Assembly -- Solenoid
--	7042654	7042654	--	--	Nut -- Solenoid Retaining
--	7042653	7042653	--	--	Locking Washer -- Retaining Nut
--	7043661	7043661	--	--	Screw -- Bracket Retaining
--	7026339	7026339	--	--	Hose -- Solenoid Vacuum
	THROTTLE BODY PARTS				
47	7041628	7041630	7042492	7042493	Throttle Body Assembly
48	KIT ONLY	KIT ONLY	KIT ONLY	KIT ONLY	Gasket -- Throttle Body
49	7041596	7041596	7032327	7032327	Idle Needle
50	7038989	7038989	7038989	7038989	Spring -- Idle Needle
--	7043677	7043677	--	--	Limiter Cap -- Idle Needle
51	7038875	7038875	7038875	7038875	Screw -- Throttle Body
52	7024216	7024216	7024216	7024216	Lever -- Pump and Power Rods
53	7010435	7010435	7010435	7010435	Screw -- Lever Attaching
54	7024214	7024214	7024214	70242154	Link -- Power Piston Rod
55	7037855	7037855	7037981	7037855	Link -- Pump Lever
56	333977	333977	333977	333977	Insulator -- Flange

ACCESSORIES

7030605	Vapor Canister
7021739	Canister Filter Assembly
7026014	Filter Element
7041344	Purge Valve Repair Kit
7023987	Spring -- Purge Valve Diaphragm



1971 ROCHESTER CARBURETOR MODEL MV
250 6 CYLINDER



PARTS SHOWN ARE FOR IDENTIFICATION ONLY. CONSULT PARTS LIST FOR CORRECT PART NAME AND NUMBER

	SERIES 10-15 G-MODELS	YEAR
	250 CU. IN.	APPLICATION
	7040021	CARBURETOR No.
	7047021	REPLACEMENT PACKAGE No.
	7036782	OVERHAUL KIT
	7039166	POWER CARBURETOR KIT
	7036784	GASKET SET
Illus. No.	AIR HORN PARTS	
1	7038556	Air Horn Assembly
2	7038912	Screw - Air Horn - Long
3	7014698	Screw - Air Horn - Short
4	7037773	Bracket - Air Cleaner Stud
5	7038913	Screw - Bracket Attaching
6	-	Idle Vent Valve Kit
7	7037591	Gasket - Air Horn
	CHOKE PARTS	
8	7036973	Choke Shaft and Lever Assembly
9	7034012	Choke Valve
10	7020926	Screw - Choke Valve
11	7034013	Connector - Vacuum Break Link
12	7040646	Vacuum Break Link Assy.
13	7034017	Diaphragm - Vacuum Break
14	7034018	Cover - Vacuum Break
15	7020926	Screw - Cover
16	7037000	Choke Rod
17	N.S.S.	Choke Lever
18	7019709	Screw - Choke Lever
19	7040633	Cam - Fast Idle
20	7003561	Screw - Cam Attaching

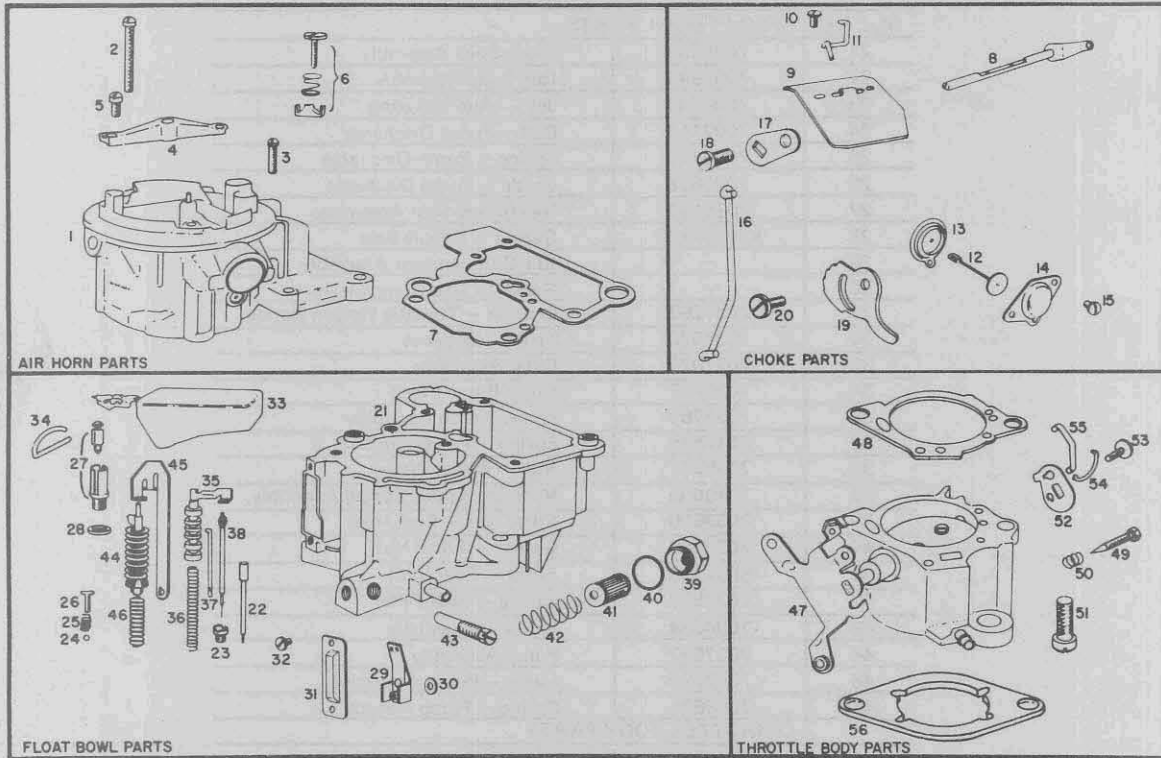


1971 ROCHESTER CARBURETOR MODEL MV — Cont'd.
250 6 CYLINDER

	7040021	CARBURETOR No.
Illus. No.	FLOAT BOWL PARTS	
21	7036838	Float Bowl Assembly
22	7033946	Idle Tube Assembly
23	7034205	Jet — Main Metering
24	7002117	Ball — Pump Discharge
25	7002118	Spring — Pump Discharge
26	7003838	Guide — Pump Discharge
27	7035133	Needle and Seat Assembly
28	KIT ONLY	Gasket — Needle Seat
29	—	Idle Compensator Assembly
30	—	Gasket — Idle Compensator
31	7037299	Bracket — Throttle Return Spring
32	7034030	Screw — Bracket
33	7037022	Float Assembly
34	7034032	Hinge Pin — Float
35	7037780	Power Piston Assembly
36	7012515	Spring — Power Piston
37	7035297	Rod — Power Piston
38	7040630	Metering Rod & Spring Assembly
39	7033500	Filter Nut — Fuel Inlet
40	7032508	Gasket — Filter Nut
41	5651393	Filter — Fuel Inlet
42	7031539	Spring — Fuel Filter
43	7034034	Screw — Slow Idle
44	7037597	Pump Assembly
45	7042670	Lever — Pump Actuating
46	7008694	Spring — Pump Return
	THROTTLE BODY PARTS	
47	7040671	Throttle Body Assembly
48	KIT ONLY	Gasket — Throttle Body
49	7048860	Idle Needle
50	7011479	Spring — Idle Needle
51	7038875	Screw — Throttle Body
52	7038049	Lever — Pump and Power Rods
53	7010435	Screw — Lever Attaching
54	7035502	Link — Power Piston Rod
55	7037855	Link — Pump Lever
56	3953732	Gasket — Flange (Non California)
—	3967065	Gasket — Flange (California)
—	3967076	Insulator — Flange (California)



1971 ROCHESTER CARBURETOR MODEL MV
250 6 CYLINDER



PARTS SHOWN ARE FOR IDENTIFICATION ONLY. CONSULT PARTS LIST FOR CORRECT PART NAME AND NUMBER

SERIES 20-35 G-Model		
250 CU. IN.	APPLICATION	
7040025	CARBURETOR No.	
7036923	REPLACEMENT PACKAGE No.	
7036925	OVERHAUL KIT	
7039166	POWER CARBURETOR KIT	
7036784	GASKET SET	
Illus. No.	AIR HORN PARTS	
1	7038838	Air Horn Assembly
2	7038912	Screw - Air Horn - Long
3	7014698	Screw - Air Horn - Short
4	7037773	Bracket - Air Cleaner Stud
5	7038913	Screw - Bracket Attaching
6	7036348	Idle Vent Valve Kit
7	7037591	Gasket - Air Horn
CHOKE PARTS		
8	7036973	Choke Shaft and Lever Assembly
9	7034012	Choke Valve
10	7020926	Screw - Choke Valve
11	7034013	Connector - Vacuum Break Link
12	7035877	Vacuum Break Link Assy.
13	7034017	Diaphragm - Vacuum Break
14	7034018	Cover - Vacuum Break
15	7020926	Screw - Cover
16	7037000	Choke Rod
17	-	Choke Lever
18	7019709	Screw - Choke Lever
19	7040633	Cam - Fast Idle
20	7003561	Screw - Cam Attaching

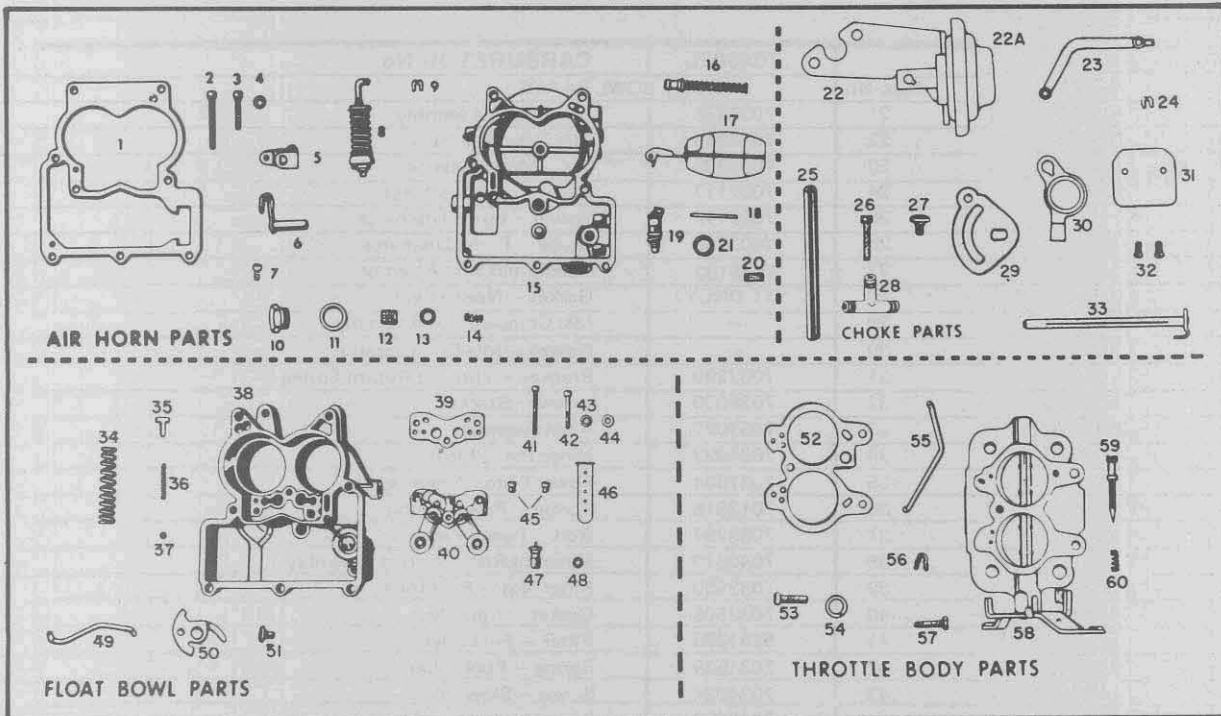


1971 ROCHESTER CARBURETOR MODEL MV -- Cont'd.
250 6 CYLINDER

	7040025	CARBURETOR No.
Illus. No.	FLOAT BOWL PARTS	
21	7036836	Float Bowl Assembly
22	7033940	Idle Tube Assembly
23	7034206	Jet -- Main Metering
24	7002117	Ball -- Pump Discharge
25	7002118	Spring -- Pump Discharge
26	7003838	Guide -- Pump Discharge
27	7035133	Needle and Seat Assembly
28	KIT ONLY	Gasket -- Needle Seat
29	--	Idle Compensator Assembly
30	--	Gasket -- Idle Compensator
31	7037299	Bracket -- Throttle Return Spring
32	7034030	Screw -- Bracket
33	7037022	Float Assembly
34	7034032	Hinge Pin -- Float
35	7037804	Power Piston Assembly
36	7012515	Spring -- Power Piston
37	7035297	Rod -- Power Piston
38	7040630	Metering Rod & Spring Assembly
39	7033500	Filter Nut -- Fuel Inlet
40	7032508	Gasket -- Filter Nut
41	5651393	Filter -- Fuel Inlet
42	7031539	Spring -- Fuel Filter
43	7034034	Screw -- Slow Idle
44	7037597	Pump Assembly
45	7042670	Lever -- Pump Actuating
46	7008694	Spring -- Pump Return
	THROTTLE BODY PARTS	
47	7037038	Throttle Body Assembly
48	KIT ONLY	Gasket -- Throttle Body
49	7048860	Idle Needle
50	7011479	Spring -- Idle Needle
51	7038875	Screw -- Throttle Body
52	7038049	Lever -- Pump and Power Rods
53	7010435	Screw -- Lever Attaching
54	7035502	Link -- Power Piston Rod
55	7037981	Link -- Pump Lever
56	3953732	Gasket -- Flange (Non California)
--	3967065	Gasket -- Flange (California)
--	3967076	Insulator -- Flange (California)



1971 ROCHESTER CARBURETOR MODEL 2GV
307 CUBIC INCH ENGINE



PARTS SHOWN ARE FOR IDENTIFICATION ONLY. CONSULT PARTS LIST FOR CORRECT PART NAME AND NUMBER

Illus. No.	EARLY		LATE		APPLICATION
	MAN. TRANS.	AUTO. TRANS.	MAN. TRANS.	AUTO. TRANS.	
	7040400	7040408	7040407	7040406	CARBURETOR No.
	7041400	7041408	7041400	7041408	REPLACEMENT PKG. No. (See Note)
	7036796	7036796	7036796	7036796	OVERHAUL KIT
	7039167	7039167	7039167	7039167	POWER CARBURETOR KIT
	7036797	7036797	7036797	7036797	GASKET SET
	AIR HORN PARTS				
1	7038522	7038522	7038522	7038522	Gasket - Air Horn
2	7010432	7010432	7010432	7010432	Screw - Air Horn (Long)
3	7006119	7006119	7006119	7006119	Screw - Air Horn (Short)
4	120217	120217	120217	120217	Lockwasher - Air Horn Screws
5	7038630	7038630	7038630	7038630	Lever - Pump Inside
6	7038788	7038788	7038788	7038788	Pump Shaft and Lever Assembly
7	7011270	7011270	7011270	7011270	Screw - Pump Lever
-	7019568	7019568	7019568	7019568	Washer - Pump Lever
8	7042819	7042819	7042819	7042819	Pump Assembly
9	-	-	-	-	Clip - Pump Plunger
10	7040952	7040952	7044786	7044786	Nut - Fuel Filter
11	7032508	7032508	7032508	7032508	Gasket - Fuel Filter
12	7013404	7013404	7013404	7013404	Filter - Fuel Inlet
13	7013584	7013584	7013584	7013584	Gasket - Fuel Filter
14	7034356	7034356	7034356	7034356	Spring - Fuel Filter
15	7036790	7036790	7036790	7036790	Air Horn Assembly

NOTE: The early models use a 5/16" fuel inlet nut. The late models use a 3/8" fuel inlet nut. Check the nut on the replacement package and use the one from the original carburetor if necessary to adapt.

1971 ROCHESTER CARBURETOR MODEL 2GV - Cont'd.
307 CUBIC INCH ENGINE

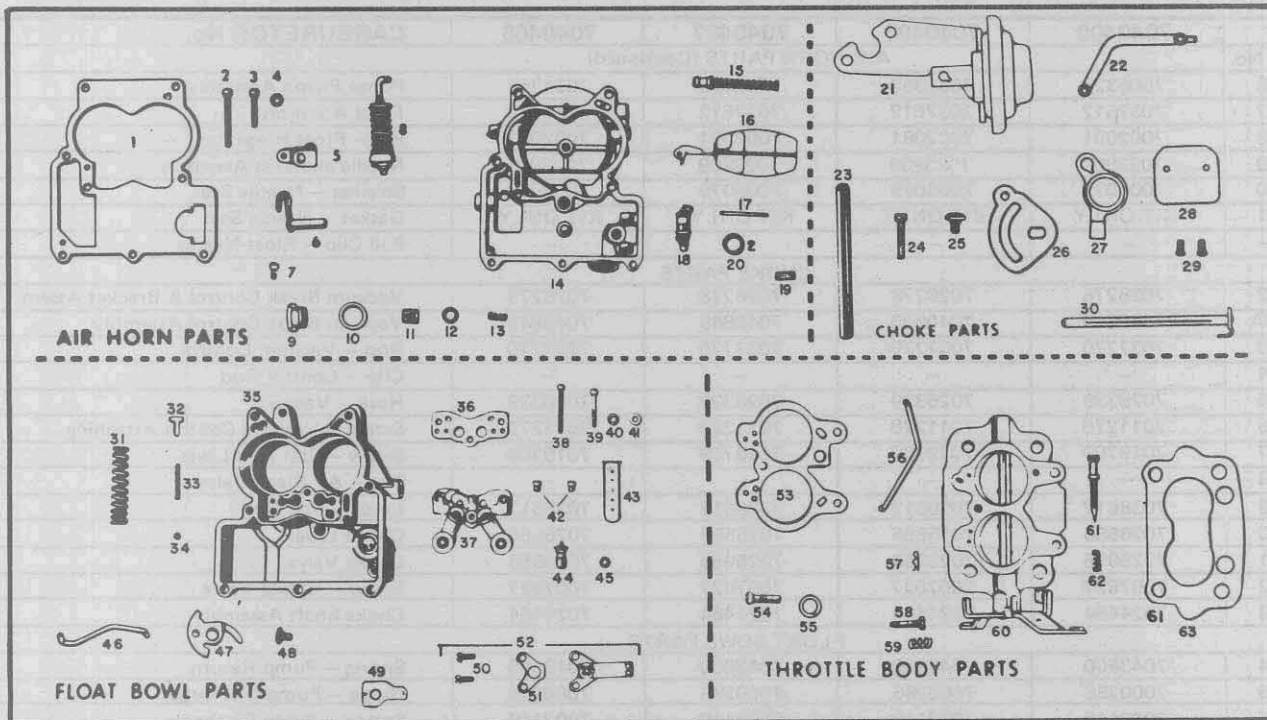
	7040400	7040408	7040407	7040406	CARBURETOR No.
Illus. No.	AIR HORN PARTS (Continued)				
16	7006323	7034359	7006323	7034359	Power Piston Assembly
17	7037512	7037512	7037512	7037512	Float Assembly
18	7002081	7002081	7002081	7002081	Pin - Float Hinge
19	7023809	7023809	7023809	7023809	Needle and Seat Assembly
20	7006079	7006079	7006079	7006079	Strainer - Needle Seat
21	KIT ONLY	KIT ONLY	KIT ONLY	KIT ONLY	Gasket - Needle Seat
-	-	-	-	-	Pull Clip - Float Needle
	CHOKE PARTS				
22	7026278	7026278	7026278	7026278	Vacuum Break Control & Bracket Assem.
22A	7040849	7040849	7040849	7040849	Vacuum Break Control Assembly
23	7037770	7037770	7037770	7037770	Rod - Vacuum Control
24	-	-	-	-	Clip - Control Rod
25	7026339	7026339	7026339	7026339	Hose - Vacuum
26	7011270	7011270	7011270	7011270	Screw - Vacuum Control Attaching
27	7019709	7019709	7019709	7019709	Screw - Stat Rod Lever
28	-	-	-	-	Tee - Air Bleed Valve
29	7038612	7038612	7038612	7038612	Lever - Stat Rod
30	7026556	7026556	7026556	7026556	Choke Lever
31	7025955	7025955	7025955	7025955	Choke Valve
32	7007627	7007627	7007627	7007627	Screw - Choke Valve
33	7024464	7024464	7024464	7024464	Choke Shaft Assembly
	FLOAT BOWL PARTS				
34	7043600	7043600	7043600	7043600	Spring - Pump Return
35	7000286	7000286	7000286	7000286	Guide - Pump Discharge
36	7002118	7002118	7002118	7002118	Spring - Pump Discharge
37	7002117	7002117	7002117	7002117	Ball - Pump Discharge
38	7041356	7041357	7041356	7041357	Float Bowl Assembly
39	KIT ONLY	KIT ONLY	KIT ONLY	KIT ONLY	Gasket - Venturi Cluster
40	7040960	7040973	7040960	7040973	Venturi Cluster Assembly
41	7000293	7000293	7000293	7000293	Screw - Venturi Cluster - Outer
42	7000294	7000294	7000294	7000294	Screw - Cluster - Center
43	121841	121841	121841	121841	Lockwasher - Outer Screws
44	KIT ONLY	KIT ONLY	KIT ONLY	KIT ONLY	Gasket - Center Screw
45	7002651	7002649	7002651	7002649	Jet - Standard
46	7021528	7021528	7021528	7021528	Insert - Main Well
47	7010918	7037115	7010918	7037115	Power Valve Assembly
48	KIT ONLY	KIT ONLY	KIT ONLY	KIT ONLY	Gasket - Power Valve
49	7026559	7026559	7026559	7026559	Choke Rod
50	7026111	7035923	7026111	7035923	Cam - Fast Idle
51	7003561	7003561	7003561	7003561	Screw - Cam Attaching
	THROTTLE BODY PARTS				
52	KIT ONLY	KIT ONLY	KIT ONLY	KIT ONLY	Gasket - Throttle Bdy
53	7015105	7015105	7015105	7015105	Screw - Throttle Body
54	121744	121744	121744	121744	Lockwasher - Throttle Body Screws
55	7026156	7026156	7026156	7026156	Pump Rod
56	7018186	7018186	7018186	7018186	Clip - Pump Rod
57	7029427	7029427	7029427	7029427	Idle Stop Screw
-	7029428	7029428	7029428	7029428	Spring - Idle Stop Screw
58	7027672	7027672	7027672	7027672	Throttle Body Assembly
59	7013116	7013116	7013116	7013116	Idle Adjusting Needle
60	7011479	7011479	7011479	7011479	Spring - Idle Needle
-	3970040	3970040	3970040	3970040	Gasket - Flange
-	3973300	3973300	3973300	3973300	Insulator Flange

ACCESSORIES

7036964	Vapor Canister
7026014	Filter Element
7021739	Canister Filter & Drain Cap Assembly



1971 ROCHESTER CARBURETOR MODEL 2GV
307 CUBIC INCH ENGINE



PARTS SHOWN ARE FOR IDENTIFICATION ONLY. CONSULT PARTS LIST FOR CORRECT PART NAME AND NUMBER

Illus. No.	SERIES C,K,P		SERIES G		APPLICATION
	MAN. TRANS.	AUTO. TRANS.	MAN. TRANS.	AUTO. TRANS.	
	7041105	7041125	7041111	7041126	CARBURETOR No.
	7047105	7047115	7047105	7047115	REPLACEMENT PKG. No. (SEE NOTE)
	7041605	7041605	7041605	7041605	OVERHAUL KIT
	7039197	7039197	7039197	7039197	POWER CARBURETOR KIT
	7041606	7041606	7041606	7041606	GASKET SET
	AIR HORN PARTS				
1	7038522	7038522	7038522	7038522	Gasket - Air Horn
2	7010432	7010432	7010432	7010432	Screw - Air Horn (Long)
3	7006119	7006119	7006119	7006119	Screw - Air Horn (Short)
4	120217	120217	120217	120217	Lockwasher - Air Horn Screws
5	7038630	7038630	7038630	7038630	Lever - Pump Inside
6	7038788	7038788	7038788	7038788	Pump Shaft and Lever Assembly
7	7011270	7011270	7011270	7011270	Screw - Pump Lever
-	7019568	7019568	7019568	7019568	Washer - Pump Lever
8	7042819	7042819	7042819	7042819	Pump Assembly
9	7040952	7040952	7044786	7044786	Nut - Fuel Filter
10	7032508	7032508	7032508	7032508	Gasket - Fuel Filter
11	7013404	7013404	7013404	7013404	Filter - Fuel Inlet
12	KIT ONLY	KIT ONLY	KIT ONLY	KIT ONLY	Gasket - Fuel Filter
13	7034356	7034356	7034356	7034356	Spring - Fuel Filter
14	7041600	7041600	7041600	7041600	Air Horn Assembly

NOTE: When replacing 7041111 or 7041126 with the service replacement package, use the fuel inlet nut from the original carburetor.



1971 ROCHESTER CARBURETOR MODEL 2GV — Cont'd.
307 CUBIC INCH ENGINE

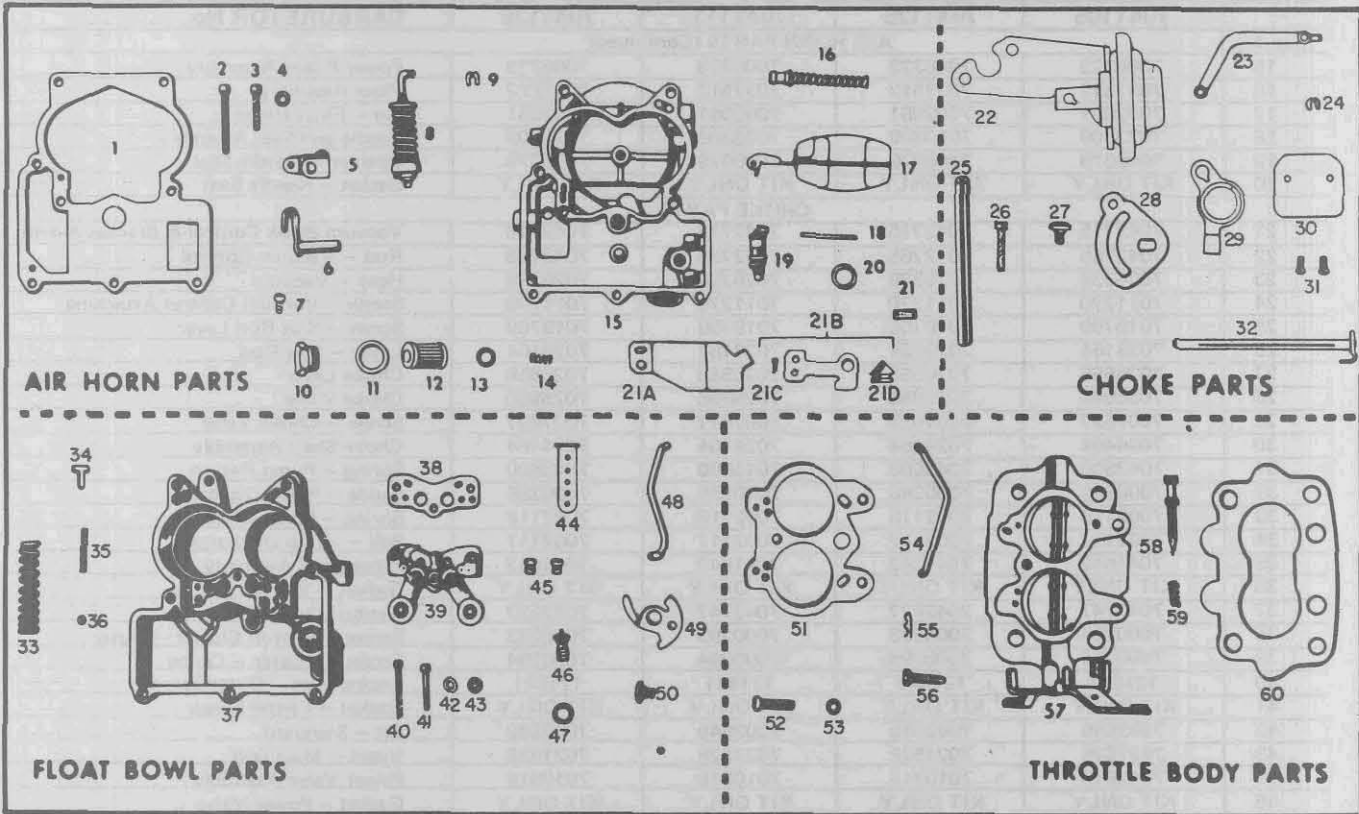
	7041105	7041125	7041111	7041126	CARBURETOR No.
	AIR HORN PARTS (Continued)				
15	7006323	7006323	7006323	7006323	Power Piston Assembly
16	7037512	7037512	7037512	7037512	Float Assembly
17	7002081	7002081	7002081	7002081	Pin — Float Hinge
18	7023809	7023809	7023809	7023809	Needle and Seat Assembly
19	7006079	7006079	7006079	7006079	Strainer — Needle Seat
20	KIT ONLY	KIT ONLY	KIT ONLY	KIT ONLY	Gasket — Needle Seat
	CHOKE PARTS				
21	7042715	7042715	7042715	7042715	Vacuum Break Control & Bracket Assem.
22	7042765	7042765	7042765	7042765	Rod — Vacuum Control
23	7026339	7026339	7026339	7026339	Hose — Vacuum
24	7011270	7011270	7011270	7011270	Screw — Vacuum Control Attaching
25	7019709	7019709	7019709	7019709	Screw — Stat Rod Lever
26	7028164	7028164	7028164	7028164	Lever — Stat Rod
27	7026556	7026556	7026556	7026556	Choke Lever
28	7025955	7025955	7025955	7025955	Choke Valve
29	7007627	7007627	7007627	7007627	Screw — Choke Valve
30	7024464	7024464	7024464	7024464	Choke Shaft Assembly
31	7043600	7043600	7043600	7043600	Spring — Pump Return
32	7000286	7000286	7000286	7000286	Guide — Pump Discharge
33	7002118	7002118	7002118	7002118	Spring — Pump Discharge
34	7002117	7002117	7002117	7002117	Ball — Pump Discharge
35	7041642	7041643	7041642	7041643	Float Bowl Assembly
36	KIT ONLY	KIT ONLY	KIT ONLY	KIT ONLY	Gasket — Venturi Cluster
37	7043747	7042627	7043747	7042627	Venturi Cluster Assembly
38	7000293	7000293	7000293	7000293	Screw — Venturi Cluster — Outer
39	7000294	7000294	7000294	7000294	Screw — Cluster — Center
40	121841	121841	121841	121841	Lockwasher — Outer Screws
41	KIT ONLY	KIT ONLY	KIT ONLY	KIT ONLY	Gasket — Center Screw
42	7002649	7002649	7002649	7002649	Jet — Standard
43	7021528	7021528	7021528	7021528	Insert — Main well
44	7010918	7010918	7010918	7010918	Power Valve Assembly
45	KIT ONLY	KIT ONLY	KIT ONLY	KIT ONLY	Gasket — Power Valve
46	7026559	7026559	7026559	7026559	Choke Rod
47	7029979	7026140	7029979	7026140	Cam — Fast Idle
48	7003561	7003561	7003561	7003561	Screw — Cam Attaching
49	—	7013937	—	7013937	Cover — Idle Compensator
50	—	7015127	—	7015125	Screw — Idle Compensator
51	—	KIT ONLY	—	KIT ONLY	Gasket — Idle Compensator
52	—	7036805	—	7036805	Idle Compensator Kit
—	1114444	1114444	1114444	1114444	Solenoid (C.E.C.)
—	7042811	7042811	7042811	7042811	Bracket — Solenoid
—	7042654	7042654	7042654	7042654	Nut — Solenoid Retaining
—	7042653	7042653	7042653	7042653	Locking Washer — Retaining Nut
—	7043682	7043682	7043682	7043682	Screw — Bracket Attaching
	THROTTLE BODY PARTS				
53	KIT ONLY	KIT ONLY	KIT ONLY	KIT ONLY	Gasket — Throttle Body
54	7015105	7015105	7015105	7015105	Screw — Throttle Body
55	121744	121744	121744	121744	Lockwasher — Throttle Body Screws
56	7026156	7026156	7026156	7026156	Pump Rod
57	7018186	7018186	7018186	7018186	Clip — Pump Rod
58	7029427	7029427	7029427	7029427	Idle Stop Screw
59	7029428	7029428	7029428	7029428	Spring — Idle Stop Screw
60	7029050	7029051	7029050	7029051	Throttle Body Assembly
—	7043684	7043684	7043684	7043684	Limiter Cap — Idle Needle
61	7041612	7041612	7041612	7041612	Idle Needle & Limiter Kit
62	7011479	7011479	7011479	7011479	Spring — Idle Needle
63	3989068	3989068	3989068	3989068	Insulator — Flange

ACCESSORIES

7030541	Vapor Canister
7021739	Canister Filter Assembly
7026014	Filter Element
7041344	Purge Valve Repair Kit
7023987	Spring — Purge Valve Diaphragm



1971 ROCHESTER CARBURETOR MODEL 2G
307 CUBIC INCH ENGINE



PARTS SHOWN ARE FOR IDENTIFICATION ONLY. CONSULT PARTS LIST FOR CORRECT PART NAME AND NUMBER

	AUTO. TRANS.	MAN. TRANS.	APPLICATION
	7041138	7041139	CARBURETOR No.
	7047139	7047139	REPLACEMENT PACKAGE No.
	7041656	7041656	OVERHAUL KIT
	7039198	7039198	POWER CARBURETOR KIT
	7041614	7041614	GASKET SET
Illus. No.	AIR HORN PARTS		
1	7038523	7038523	Gasket - Air Horn
2	7010432	7010432	Screw - Air Horn (Long)
3	7006119	7006119	Screw - Air Horn (Short)
4	120217	120217	Lockwasher - Air Horn Screw
5	7038630	7038630	Lever - Pump Inside
6	7038788	7038788	Pump Shaft and Lever Assembly
7	7011270	7011270	Screw - Pump Lever
-	7019568	7019568	Washer - Pump Lever
8	7036282	7036282	Pump Assembly
9	-	-	Clip - Pump Plunger
10	7040955	7040955	Nut - Filter
11	7032508	7032508	Gasket - Filter Nut
12	5651393	5651393	Filter - Fuel Inlet
13	-	-	Gasket - Filter
14	7034356	7034356	Spring - Filter
15	7041654	7041654	Air Horn Assembly



1971 ROCHESTER CARBURETOR MODEL 2G - Cont'd.
307 CUBIC INCH ENGINE

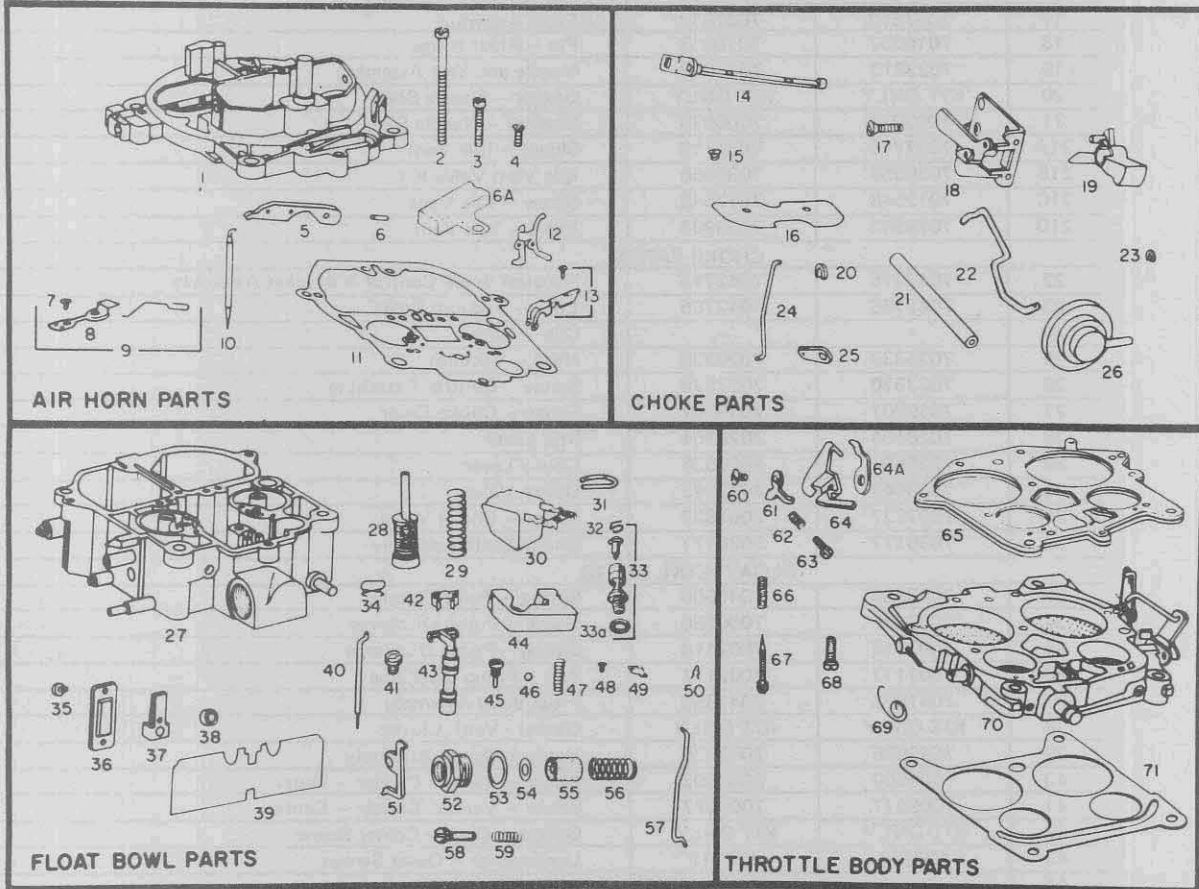
Illus. No.	7041138	7041139	CARBURETOR No.
AIR HORN PARTS (Continued)			
16	7043894	7043894	Power Piston Assembly
17	7037512	7037512	Float Assembly
18	7010037	7010037	Pin - Float Hinge
19	7023813	7023813	Needle and Seat Assembly
20	KIT ONLY	KIT ONLY	Gasket - Needle Seat
21	7006079	7006079	Strainer - Needle Seat
21A	7037718	7037718	Shield - Idle Vent
21B	7036556	7036556	Idle Vent Valve Kit
21C	7012548	7012548	Screw - Idle Vent
21D	7029993	7029993	Valve - Idle Vent
CHOKE PARTS			
22	7042715	7042715	Vacuum Break Control & Bracket Assembly
23	7042765	7042765	Link - Vacuum Break
24	-	-	Clip - Link
25	7026339	7026339	Hose - Vacuum
26	7037570	7037570	Screw - Control Attaching
27	7019707	7019707	Screw - Choke Lever
28	7028164	7028164	Stat Lever
29	7026556	7026556	Choke Lever
30	7033443	7033443	Choke Valve
31	7007627	7007627	Screw - Choke Valve
32	7036177	7036177	Choke Shaft Assembly
FLOAT BOWL PARTS			
33	7043600	7043600	Spring - Pump Return
34	7000286	7000286	Guide - Pump Discharge
35	7002118	7002118	Spring - Pump Discharge
36	7002117	7002117	Ball - Pump Discharge
37	7041655	7041655	Float Bowl Assembly
38	KIT ONLY	KIT ONLY	Gasket - Vent. Cluster
39	7042626	7042626	Venturi Cluster Assembly
40	7008502	7008502	Screw - Venturi Cluster - Outer
41	7009077	7009077	Screw - Venturi Cluster - Center
42	KIT ONLY	KIT ONLY	Gasket - Cluster Center Screw
43	120217	120217	Lockwasher - Outer Screws
44	-	-	Insert Main Well
45	7002659	7002659	Jet - Main Metering
46	7043896	7043896	Power Valve Assembly
47	KIT ONLY	KIT ONLY	Gasket - Power Valve
48	7038186	7038186	Choke Rod
49	7026111	7043706	Cam - Fast Idle
50	7003561	7003561	Screw - Cam Attaching
-	-	7026257	Baffle - High Speed Bleed
THROTTLE BODY PARTS			
51	KIT ONLY	KIT ONLY	Gasket - Throttle Body
52	7015105	7015105	Screw - Throttle Body
53	121744	121744	Lockwasher - Throttle Body Screw
54	7038799	7038799	Pump Rod
55	7018186	7018186	Clip - Pump Rod
56	7029427	7029427	Idle Stop Screw
-	7037131	7037131	Spring-Idle Stop Screw
57	7029149	7029149	Throttle Body Assembly
58	7048860	7048860	Idle Needle
59	7011479	7011479	Spring - Idle Needle
60	3989069	3989069	Insulator - Flange

ACCESSORIES

7030605	Vapor Canister
7021739	Canister Filter Assembly
7026014	Filter Element
7041344	Purge Valve Repair Kit
7023987	Spring-Purge Valve Diaphragm



1971 ROCHESTER CARBURETOR MODEL 4MV
350 CUBIC INCH ENGINE - 4BC



PARTS SHOWN ARE FOR IDENTIFICATION ONLY. CONSULT PARTS LIST FOR CORRECT PART NAME AND NUMBER

	350 CU. IN.	APPLICATION
	7040208	CARBURETOR No.
	7047018	REPLACEMENT PACKAGE No.
	7036945	OVERHAUL KIT
	7039174	POWER CARBURETOR KIT
	7036814	GASKET SET
Illus. No.		
1	7040626	Air Horn Assembly
2	7029912	Screw - Air Horn
3	7014699	Screw - Air Horn
4	7031105	Screw - Air Horn
5	7021639	Lever - Pump Actuating
6	9428787	Roll Pin - Pump and Lockout Levers
6A	-	Shield - Idle Vent
7	-	Screw - Idle Vent Valve
8	-	Valve - Idle Vent
9	-	Idle Vent Valve Kit
10	7034337	Metering Rod - Secondary
11	7038841	Gasket - Air Horn
12	-	Lockout Lever - Air Valve
13	7034522	Secondary Metering Rod Holder Kit
-	7035344	Air Valve Spring and Cam Kit



1971 ROCHESTER CARBURETOR MODEL 4MV – Cont'd.
350 CUBIC INCH ENGINE – 4BC

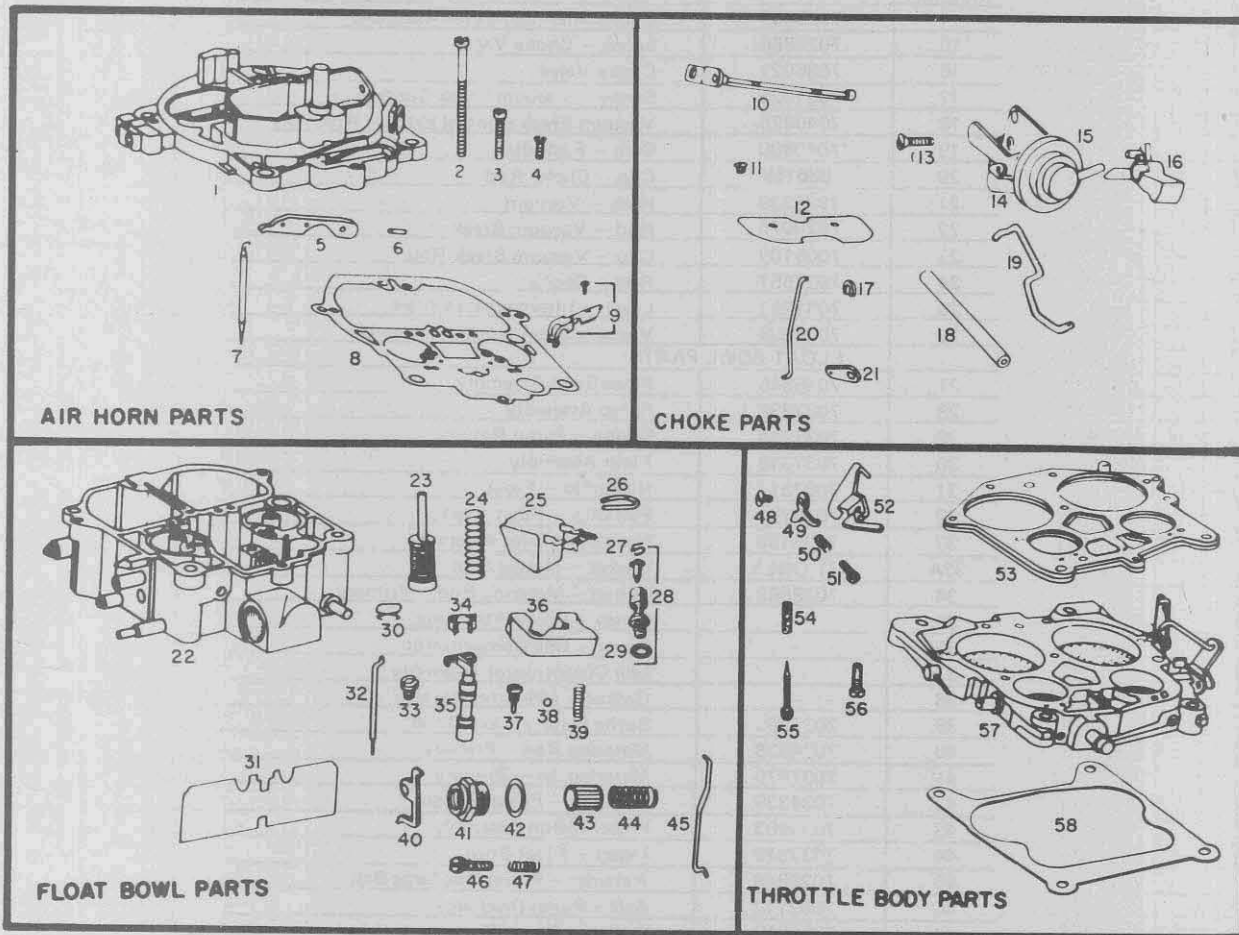
	7040208	CARBURETOR No.
Illus. No.	CHOKE PARTS	
14	7038855	Choke Shaft and Lever Assembly
15	7029866	Screw – Choke Valve
16	7036021	Choke Valve
17	7031925	Screw – Vacuum Break Control
18	7040826	Vacuum Break Control Bracket Assembly
19	7040800	Cam – Fast Idle
20	836159	Clip – Choke Rod
21	7026339	Hose – Vacuum
22	7029075	Rod – Vacuum Break
23	7005109	Clip – Vacuum Break Rod
24	7037557	Rod – Choke
25	7031231	Lever – Intermediate Choke
26	7038538	Vacuum Break Control Assembly
	FLOAT BOWL PARTS	
27	7036845	Float Bowl Assembly
28	7037337	Pump Assembly
29	7037314	Spring – Pump Return
30	7037316	Float Assembly
31	7037317	Hinge Pin – Float
32	7033751	Pull Clip – Float Needle
33	7035130	Needle and Seat Assembly
33A	KIT ONLY	Gasket – Needle Seat
34	7029862	Spring – Metering Rod – Primary
35	–	Screw – Cover Attaching
36	–	Cover – Idle Compensator
37	–	Idle Compensator Assembly
38	–	Gasket – Idle Compensator
39	7031365	Baffle Plate – Float Bowl
40	7034838	Metering Rod – Primary
41	7031975	Metering Jet – Primary
42	7034339	Retainer – Power Piston
43	7034903	Power Piston Assembly
44	7037319	Insert – Float Bowl
45	7029849	Retainer – Pump Discharge Ball
46	7002117	Ball – Pump Discharge
47	7036019	Spring – Power Piston
48	–	Screw – Diaphragm Retainer
49	–	Retainer – Float Needle Diaphragm
50	–	Clip – Pump Rod
51	7027270	Lockout Lever – Secondary
52	7040955	Filter Nut – Fuel Inlet
53	7032508	Gasket – Inlet Nut
54	–	Gasket – Filter
55	5651393	Filter – Fuel Inlet
56	7034356	Spring – Inlet Filter
57	7026138	Rod – Pump
58	7002121	Screw – Idle Stop
59	7003176	Spring – Idle Stop Screw
	THROTTLE BODY PARTS	
60	7035523	Screw – Cam and Fast Idle Levers Attaching
61	7035806	Lever – Fast Idle
62	7029900	Spring – Fast Idle Screw
63	7029899	Screw – Fast Idle Adjusting
64	7035409	Lever – Cam Follower
64A	7040805	Lever – Wide Open Kick
65	KIT ONLY	Gasket – Throttle Body
66	7011479	Spring – Idle Needle
67	7013116	Needle – Idle Adjusting
68	7035790	Screw – Throttle Body
69	7035772	Spring – Cam Follower Lever
70	7036919	Throttle Body Assembly
71	3967470	Gasket – Flange
–	–	Insulator – Flange



CHEV-GMC TRUCK

PARTS CATALOGUE

1971 ROCHESTER CARBURETOR MODEL 4MV
350 & 400 CUBIC INCH ENGINE — 4BC



PARTS SHOWN ARE FOR IDENTIFICATION ONLY. CONSULT PARTS LIST FOR CORRECT PART NAME AND NUMBER

	SERIES 20 & 30 350 CU. IN.	SERIES 10 350 CU. IN.	SERIES 20 & 30 400 CU. IN.	SERIES 10 400 CU. IN.	APPLICATION
	7041208	7041211	7041206	7041209	CARBURETOR No.
	7047132	7047135	7047134	7047137	REPLACEMENT PACKAGE No.
	7041678	7041767	7041682	7041661	OVERHAUL KIT
	7039223	7039223	7039201	7039201	POWER CARBURETOR KIT
	7041663	7041663	7041663	7041663	GASKET SET
Illus. No.	AIR HORN PARTS				
1	7042746	7042746	7043890	7042745	Air Horn Assembly
2	7029912	7029912	7029912	7029912	Screw — Air Horn
3	7014699	7014699	7014699	7014699	Screw — Air Horn
4	7031105	7031105	7031105	7031105	Screw — Air Horn
5	7021639	7021639	7021639	7021639	Lever — Pump Actuating
6	9428787	9428787	9428787	9428787	Roll Pin — Pump and Lockout Levers
7	7034337	7034337	7034822	7034822	Metering Rod — Secondary
8	7038841	7038841	7038841	7038841	Gasket — Air Horn
9	7034522	7034522	7034522	7034522	Secondary Metering Rod Holder Kit
-	7035344	7035344	7035344	7035344	Air Valve Spring and Cam Kit



1971 ROCHESTER CARBURETOR MODEL 4MV – Cont'd.
350 & 400 CUBIC INCH ENGINE – 4BC

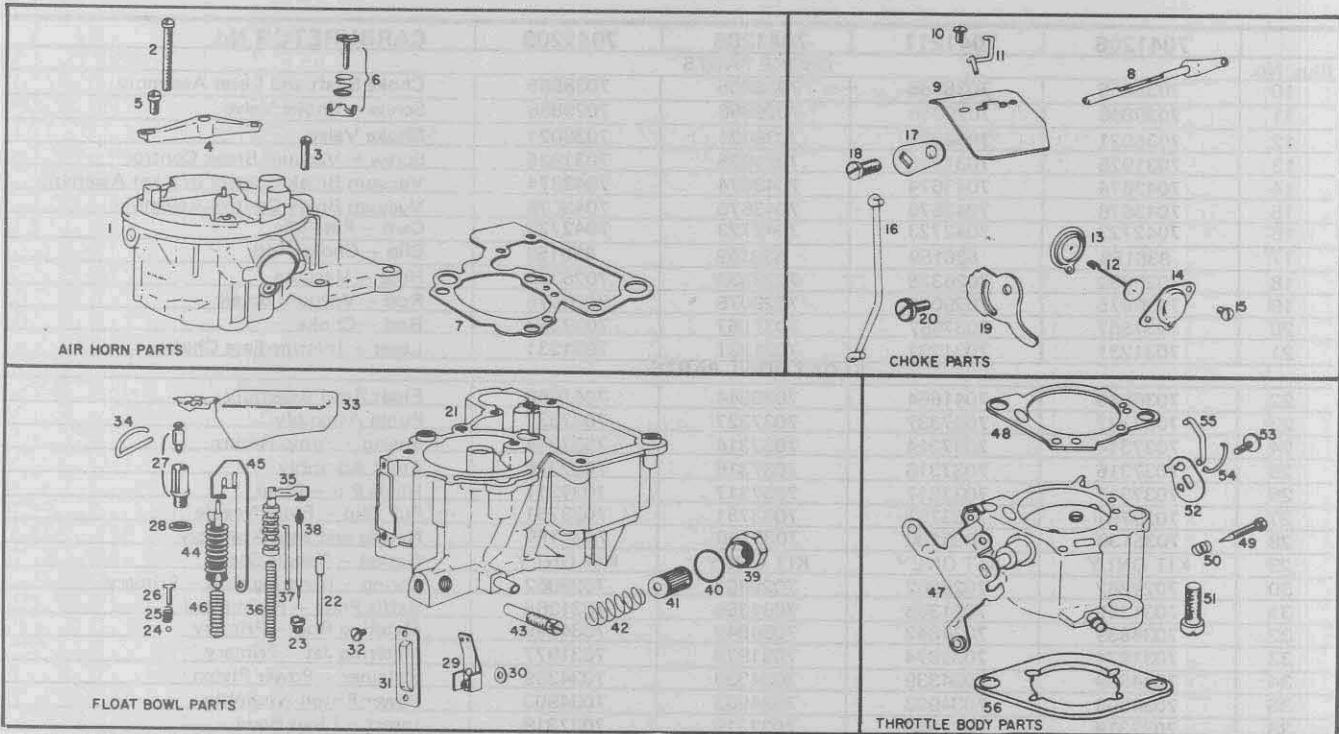
	7041208	7041211	7041206	7041209	CARBURETOR No.
			CHOKE PARTS		
10	7038855	7038855	7038855	7038855	Choke Shaft and Lever Assembly
11	7029866	7029866	7029866	7029866	Screw – Choke Valve
12	7036021	7036021	7036021	7036021	Choke Valve
13	7031925	7031925	7031925	7031925	Screw – Vacuum Break Control
14	7043674	7043674	7043674	7043674	Vacuum Break Control Bracket Assembly
15	7043676	7043676	7043676	7043676	Vacuum Break Control Assembly
16	7042723	7042723	7042723	7042723	Cam – Fast Idle
17	836159	836159	836159	836159	Clip – Choke Rod
18	7026339	7026339	7026339	7026339	Hose – Vacuum
19	7029075	7029075	7029075	7029075	Rod – Vacuum Break
20	7037557	7037557	7037557	7037557	Rod – Choke
21	7031231	7031231	7031231	7031231	Lever – Intermediate Choke
			FLOAT BOWL PARTS		
22	7036845	7041664	7036844	7041658	Float Bowl Assembly
23	7037327	7037337	7037327	7037337	Pump Assembly
24	7037314	7037314	7037314	7037314	Spring – Pump Return
25	7037316	7037316	7037316	7037316	Float Assembly
26	7037317	7037317	7037317	7037317	Hinge Pin – Float
27	7033751	7033751	7033751	7033751	Pull Clip – Float Needle
28	7035130	7035130	7035140	7035140	Needle and Seat Assembly
29	KIT ONLY	KIT ONLY	KIT ONLY	KIT ONLY	Gasket – Needle Seat
30	7029862	7029862	7029862	7029862	Spring – Metering Rod – Primary
31	7031365	7031365	7031365	7031365	Baffle Plate – Float Bowl
32	7034839	7034842	7034842	7034849	Metering Rod – Primary
33	7031974	7031974	7031974	7031977	Metering Jet – Primary
34	7034339	7034339	7034339	7034339	Retainer – Power Piston
35	7034903	7034903	7034903	7034903	Power Piston Assembly
36	7037319	7037319	7037319	7037319	Insert – Float Bowl
37	7029849	7029849	7029849	7029849	Retainer – Pump Discharge Ball
38	7002117	7002117	7002117	7002117	Ball – Pump Discharge
39	7036019	7036019	7036019	7036019	Spring – Power Piston
40	7027270	7027270	7027270	7027270	Lockout Lever – Secondary
41	7040955	7040955	7040955	7040955	Filter Nut – Fuel Inlet
42	7032508	7032508	7032508	7032508	Gasket – Inlet Nut
43	5651393	5651393	5651393	5651393	Filter – Fuel Inlet
44	7034356	7034356	7034356	7034356	Spring – Inlet Filter
45	7026138	7026138	7026138	7026138	Rod – Pump
46	7002121	7002121	7002121	7002121	Screw – Idle Stop
47	7003176	7003176	7003176	7003176	Spring – Idle Stop Screw
–	–	1114444	–	1114444	Solenoid (C.E.C.)
–	–	7042682	–	7042682	Bracket – Solenoid
–	–	7042653	–	7042653	Locking Washer – Retaining Kit
–	–	7042654	–	7042654	Nut – Solenoid Retaining
–	–	7043682	–	7043682	Screw – Bracket
–	–	7026907	–	7026907	Hose – Vacuum
			THROTTLE BODY PARTS		
48	7035523	7035523	7035523	7035523	Screw – Cam and Fast Idle Levers Attaching
49	7035774	7035774	7035774	7035774	Lever – Fast Idle
50	7029900	7029900	7029900	7029900	Spring – Fast Idle Screw
51	7029899	7029899	7029899	7029899	Screw – Fast Idle Adjusting
52	7043634	7043634	7043634	7043634	Lever – Cam Follower
53	KIT ONLY	KIT ONLY	KIT ONLY	KIT ONLY	Gasket – Throttle Body
54	7011479	7011479	7011479	7011479	Spring – Idle Needle
55	7041660	7041660	7041660	7041660	Idle Needle & Limiter Kit
–	–	7042801	–	7042801	Limiter – Idle Needle
56	7035790	7035790	7035790	7035790	Screw – Throttle Body
57	7041676	7041821	7041680	7041820	Throttle Body Assembly
58	3998912	3998912	3998912	3998912	Insulator – Flange

ACCESSORIES

7030605	Vapor Canister
7021739	Canister Filter Assembly
7026014	Filter Element
7041344	Purge Valve Repair Kit
7023987	Spring – Purge Valve Diaphragm



1972 ROCHESTER CARBURETOR MODEL MV
250 6 CYLINDER



PARTS SHOWN ARE FOR IDENTIFICATION ONLY. CONSULT PARTS LIST FOR CORRECT PART NAME AND NUMBER.

250 Cu. In.		Application
7042021		Carburetor No.
7047229		Replacement Package No.
7046537		Overhaul Kit
7039236		Power Carburetor Kit
7046536		Gasket Set
Key		
AIR HORN PARTS		
1	7046150	Air Horn Assembly
2	7038912	Screw — Air Horn — Long
3	7024278	Screw — Air Horn — Short
4	7037773	Bracket — Air Cleaner Stud
5	7038913	Screw — Bracket Attaching
7	*7037591	Gasket — Air Horn
CHOKE PARTS		
8	7028175	Choke Shaft & Lever Assy.
9	7034012	Choke Valve
10	7020926	Screw — Choke Valve
11	7024277	Link — Vacuum Break
12	7030713	Vacuum Break Control Assy.
—	7026339	Hose — Vacuum Break
16	7037000	Choke Rod
17	7030719	Choke Lever
18	7019709	Screw — Fast Idle
19	7045905	Cam — Fast Idle
20	7003561	Screw — Cam Attaching
FLOAT BOWL PARTS		
21	7041932	Float Bowl Assembly
22	7046025	Idle Tube Assembly
23	*7034206	Jet — Main Metering
24	*7002117	Ball — Pump Discharge
25	*7002118	Spring — Pump Discharge
26	*7003838	Guide — Pump Discharge
27	*7035133	Needle & Seat Assembly
28	Kit Only	Gasket — Needle Seat

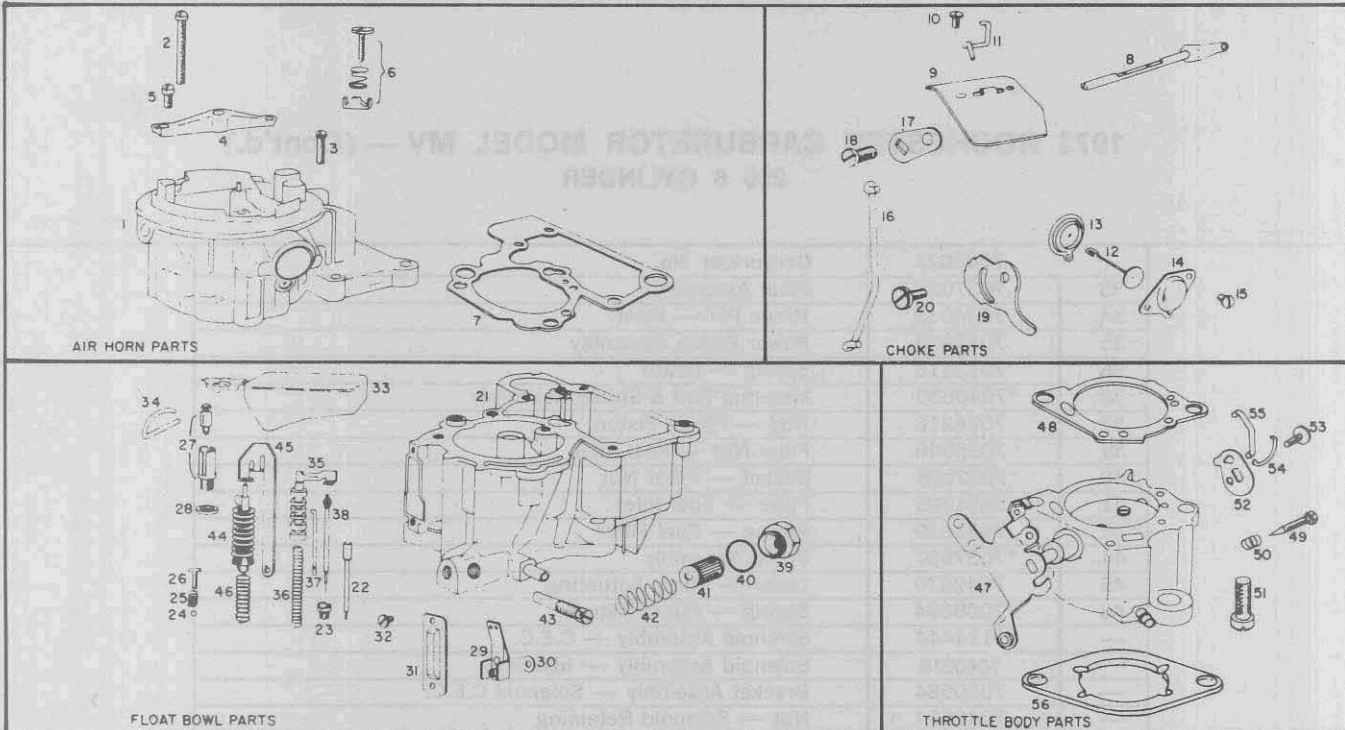


1972 ROCHESTER CARBURETOR MODEL MV — (Cont'd.)
250 6 CYLINDER

	7042021	Carburetor No.
33	7037022	Float Assembly
34	7034032	Hinge Pin — Float
35	7037804	Power Piston Assembly
36	7012515	Spring — Power
38	*7040630	Metering Rod & Spring Assembly
37	7024215	Rod — Power Piston
39	7038946	Filter Nut — Fuel Inlet
40	*7032508	Gasket — Filter Nut
41	5651393	Filter — Fuel Inlet
42	7031539	Spring — Fuel Filter
44	*7037597	Pump Assembly
45	7042670	Lever — Pump Actuating
46	*7008694	Spring — Pump Return
—	1114444	Solenoid Assembly — C.E.C.
—	7040219	Solenoid Assembly — Idle Stop
—	7030584	Bracket Assembly — Solenoid C.E.C.
—	7042654	Nut — Solenoid Retaining
—	*7042653	Locking Washer — Retaining Nut
—	7043661	Screw — Bracket Retaining
—	7026339	Hose — Vacuum
—	7042652	Bracket — Throttle Return Spring
—	7034030	Screw — Bracket
THROTTLE BODY ASSEMBLY		
47	7041959	Throttle Body Assembly
48	*Kit Only	Gasket — Throttle Body
49	*7041596	Idle Needle & Limiter Kit
—	*7043677	Limiter — Idle Needle
50	7038989	Spring — Idle Needle
51	7038875	Screw — Throttle Body
52	7024216	Lever — Pump & Power Rods
53	7010435	Screw — Lever Attaching
54	7024214	Link — Power Piston Rod
55	7037855	Link — Pump Lever
56	*6270073	Insulator — Flange (Non Calif.)
—	*3967065	Gasket — Flange (Calif.)
—	*3967076	Insulator — Flange (Calif.)
* Contained In Overhaul Kit		



1972 ROCHESTER CARBURETOR MODEL MV
250 & 292 6 CYLINDER



PARTS SHOWN ARE FOR IDENTIFICATION ONLY. CONSULT PARTS LIST FOR CORRECT PART NAME AND NUMBER.

	250 Cu. In.	292 Cu. In.	Application
	7042025	7042026	Carburetor No.
	7047225	7047226	Replacement Package No.
	7046537	7041951	Overhaul Kit
	7039236	7039236	Power Carburetor Kit
	7046536	7046536	Gasket Set
Key			
AIR HORN PARTS			
1	7046151	7046151	Air Horn Assembly
2	7038912	7038912	Screw — Air Horn — Long
3	7024278	7024278	Screw — Air Horn — Short
4	7037773	7037773	Bracket — Air Cleaner Stud
5	7038913	7038913	Screw — Bracket Attaching
7	*7037591	*7037591	Gasket — Air Horn
CHOKE PARTS			
8	7028175	7028175	Choke Shaft & Lever Assy.
9	7034012	7034012	Choke Valve
10	7020926	7020926	Screw — Choke Valve
11	7024277	7024277	Link — Vacuum Break
12	7030713	7030713	Vacuum Break Control Assembly
—	7026339	7026339	Hose — Vacuum Break
16	7037000	7037000	Choke Rod
17	7030719	7030719	Choke Lever
18	7019709	7019709	Screw — Choke Lever
19	7045905	7045905	Cam — Fast Idle
20	7003561	7003561	Screw — Cam Attaching
FLOAT BOWL PARTS			
21	7041948	7041961	Float Bowl Assembly
22	7046024	7046024	Idle Tube Assembly
23	7034206	7034228	Jet — Main Metering

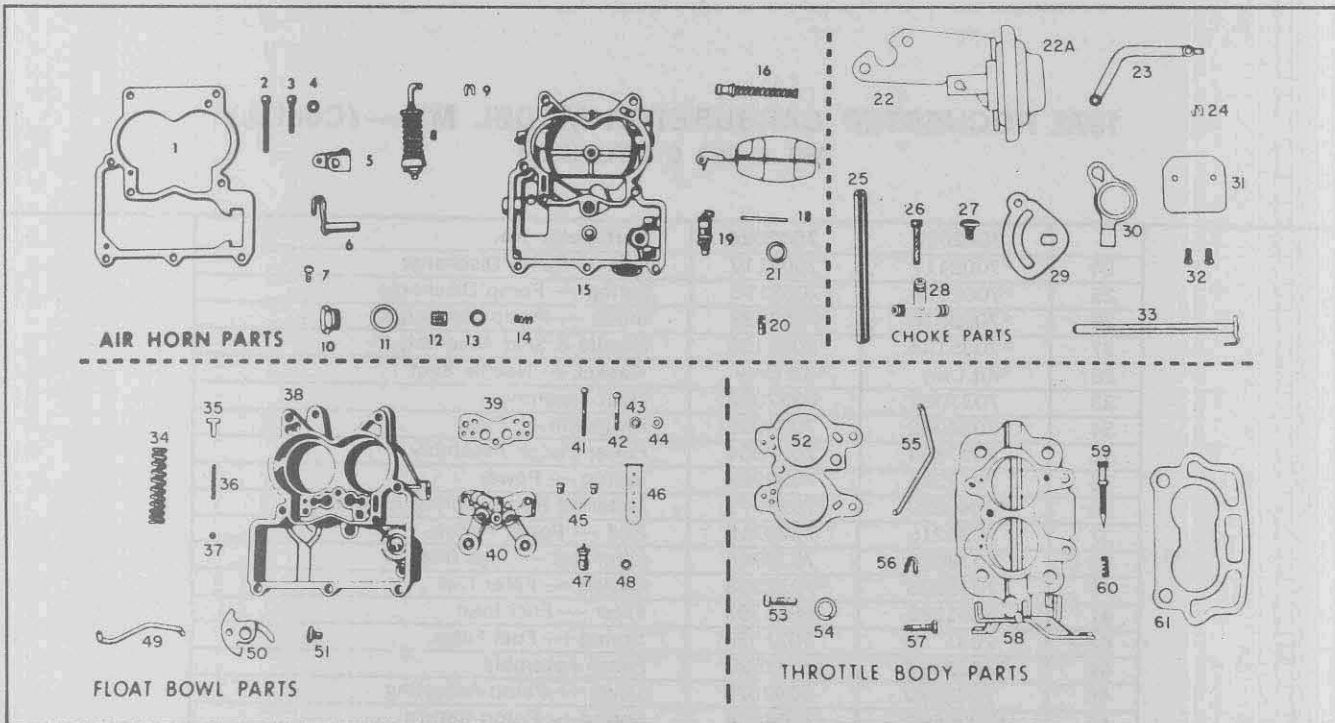


1972 ROCHESTER CARBURETOR MODEL MV — (Cont'd.)
250 & 292 6 CYLINDER

	7042025	7042026	Carburetor No.
24	*7002117	*7002117	Ball — Pump Discharge
25	*7002118	*7002118	Spring — Pump Discharge
26	*7003838	*7003838	Guide — Pump Discharge
27	*7035133	*7035133	Needle & Seat Assembly
28	*Kit Only	*Kit Only	Gasket — Needle Seat
33	7037022	7037022	Float Assembly
34	7034032	7034032	Hinge Pin — Float
35	7037804	7037804	Power Piston Assembly
36	7012515	7023993	Spring — Power
38	*7040630	*7037979	Metering Rod & Spring Assembly
37	7024215	7024215	Rod — Power Piston
39	7038946	7038946	Filter Nut — Fuel Inlet
40	*7032508	*7032508	Gasket — Filter Nut
41	5651393	5651393	Filter — Fuel Inlet
42	7031539	7031539	Spring — Fuel Filter
44	*7037597	*7037597	Pump Assembly
45	7042670	7042670	Lever — Pump Actuating
46	*7008694	*7008694	Spring — Pump Return
—	7040219	7040219	Solenoid Assembly — Idle Stop
—	7042652	7042652	Bracket — Throttle Return Spring
—	7034030	7034030	Screw — Bracket
THROTTLE BODY ASSEMBLY			
47	7048245	7041962	Throttle Body Assembly
48	*Kit Only	*Kit Only	Gasket — Throttle Body
49	*7041596	*7041596	Idle Needle & Limiter Kit
—	*7043677	*7043677	Limiter — Idle Needle
50	7038989	7038989	Spring — Idle Needle
51	7038875	7038875	Screw — Throttle Body
52	7024216	7024216	Lever — Pump & Power Rods
53	7010435	7010435	Screw — Lever Attaching
54	7024214	7024214	Link — Power Piston Rod
55	7037981	7037855	Link — Pump Lever
56	333977	333977	Insulator — Flange
* Contained In Overhaul Kit			



1972 ROCHESTER CARBURETOR MODEL 2 GV
307 CU. IN. ENGINE



PARTS SHOWN ARE FOR IDENTIFICATION ONLY. CONSULT PARTS LIST FOR CORRECT PART NAME AND NUMBER.

Series C, K, P		Series G		Application
Man. Trans.	Auto. Trans.	Man. Trans.	Auto. Trans.	
7042105	7042104	7042103	7042102	Carburetor No.
7047205	7047206	7047205	7047206	Replacement Package No.
7046565	7041905	7046565	7041905	Overhaul Kit
7039224	7039224	7039224	7039224	Power Carburetor Kit
7041906	7041906	7041906	7041906	Gasket Set
Key				
AIR HORN PARTS				
1	*7038522	*7038522	*7038522	Gasket — Air Horn
2	7010432	7010432	7010432	Screw — Air Horn — Long
3	7006119	7006119	7006119	Screw — Air Horn — Short
4	120217	120217	120217	Lockwasher — Air Horn Screws
5	7038630	7038630	7038630	Lever — Pump Inside
6	7038788	7038788	7038788	Pump Shaft & Lever Assembly
7	7011270	7011270	7011270	Screw — Pump Lever
—	7019568	7019568	7019568	Washer — Pump Lever
8	*7045908	*7045908	*7045908	Pump Assembly
10	7040952	7040952	7044786	Nut — Fuel Inlet Filter
—	None	None	None	Elbow — Fuel Inlet
11	*7032508	*7032508	*7032508	Gasket — Filter Nut
12	7013404	7013404	7013404	Filter — Fuel Inlet
13	*7013584	*7013584	*7013584	Gasket — Fuel Filter
14	7034356	7034356	7034356	Spring — Fuel Filter
15	7041600	7041600	7041600	Air Horn Assembly
17	7037512	7037512	7037512	Float Assembly
18	7002081	7002081	7002081	Pin — Float Hinge
19	*7023809	*7023809	*7023809	Needle & Seat Assembly
21	*Kit Only	*Kit Only	*Kit Only	Gasket — Needle Seat
16	7034359	7006323	7034359	Power Piston Assembly



1972 ROCHESTER CARBURETOR MODEL 2GV — (Cont'd.)
307 CU. IN. ENGINE

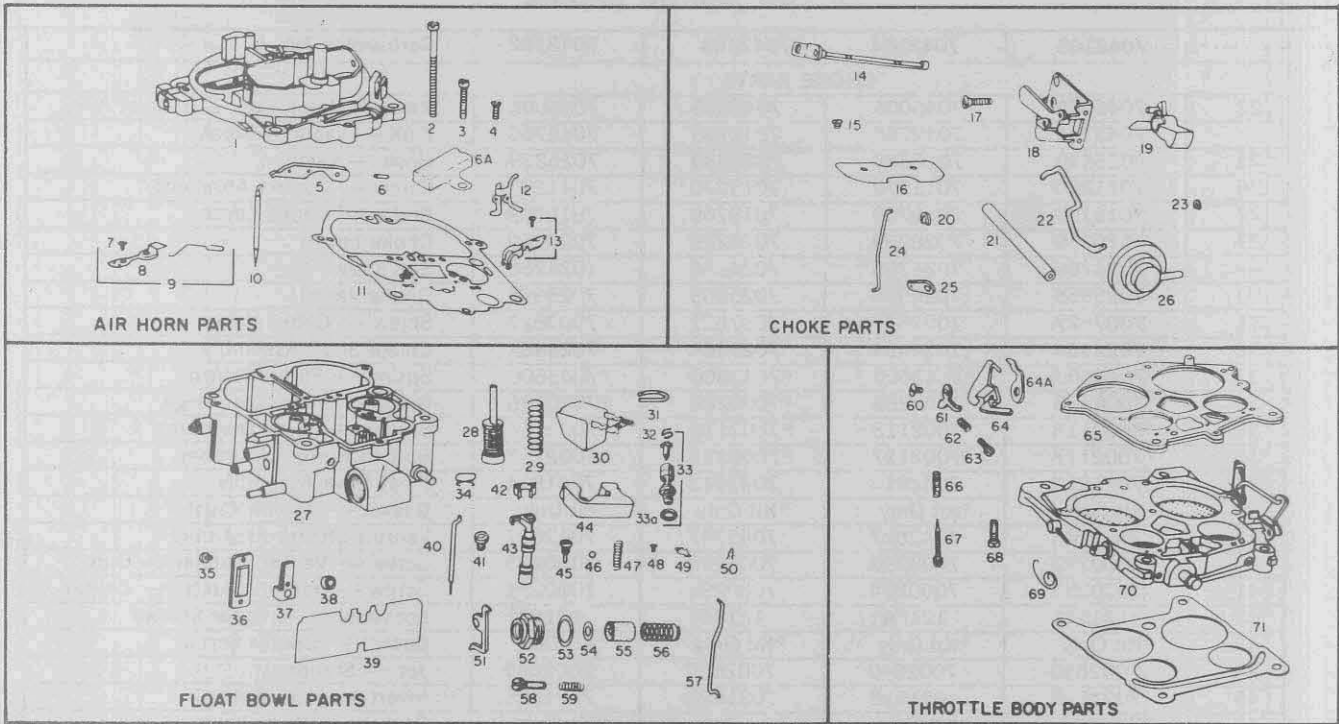
	7042105	7042104	7042103	7042102	Carburetor No.
CHOKE PARTS					
22	7046006	7046006	7046006	7046006	Vacuum Break Con. & Bracket Assy.
	7042765	7042765	7042765	7042765	Link — Vacuum Break
25	7026339	7026339	7026339	7026339	Hose — Vacuum
26	7011270	7011270	7011270	7011270	Screw — Control Attaching
27	7019709	7019709	7019709	7019709	Screw — Choke Lever
29	7026239	7026239	7026239	7026239	Choke Lever
—	7024266	7024266	7024266	7024266	Stat Lever
30	7025955	7025955	7025955	7025955	Choke Valve
31	7007627	7007627	7007627	7007627	Screw — Choke Valve
32	7024464	7024464	7024464	7024464	Choke Shaft Assembly
33	*7043600	*7043600	*7043600	*7043600	Spring — Pump Return
34	*7000286	*7000286	*7000286	*7000286	Guide — Pump Discharge
35	*7002118	*7002118	*7002118	*7002118	Spring — Pump Discharge
36	*7002117	*7002117	*7002117	*7002117	Ball — Pump Discharge
37	7041913	7041914	7041913	7041914	Float Bowl Assembly
38	*Kit Only	*Kit Only	*Kit Only	*Kit Only	Gasket — Venturi Cluster
39	7043747	7042627	7043747	7042627	Venturi Cluster Assembly
40	7000293	7000293	7000293	7000293	Screw — Venturi Cluster — Outer
41	7000294	7000294	7000294	7000294	Screw — Venturi Cluster — Center
42	121841	121841	121841	121841	Lockwasher — Outer Screws
43	*Kit Only	*Kit Only	*Kit Only	*Kit Only	Gasket — Center Screw
44	7002650	7002649	7002650	7002649	Jet — Standard
45	7021528	7021528	7021528	7021528	Insert — Main Well
47	*Kit Only	*Kit Only	*Kit Only	*Kit Only	Gasket — Power Valve
46	*7037115	*7010918	*7037115	*7010918	Power Valve Assembly
48	7030521	7030521	7030521	7030521	Choke Rod
49	7037947	7037947	7037947	7037947	Fast Idle Cam
50	7003561	7003561	7003561	7003561	Screw — Cam Attaching
—	1997409	1997409	1997409	1997409	Solenoid
—	7042818	7042818	7042818	7042818	Bracket Assembly — Solenoid
—	7042654	7042654	7042654	7042654	Nut — Solenoid Retaining
—	*7042653	*7042653	*7042653	*7042653	Locking Washer — Retaining Nut
—	7043682	7043682	7043682	7043682	Screw — Bracket Attaching
THROTTLE BODY PARTS					
51	Kit Only	Kit Only	Kit Only	Kit Only	Gasket — Throttle Body
52	*7015105	*7015105	*7015105	*7015105	Screw — Throttle Body
53	121744	121744	121744	121744	Lockwasher — Throttle Body
54	7038799	7038799	7038799	7038799	Pump Rod
55	*7018186	*7018186	*7018186	*7018186	Clip — Pump Rod
56	7029427	7029427	7029427	7029427	Idle Stop Screw
—	7029428	7029428	7029428	7029428	Spring — Idle Stop Screw
57	7041915	7041916	7041915	7041916	Throttle Body Assembly
58	*7041612	*7041612	*7041612	*7041612	Idle Adjusting Needle Kit
59	7011479	7011479	7011479	7011479	Spring — Idle Needle
—	*7043684	*7043684	*7043684	*7043684	Limitter — Idle Needle
60	*6262904	*6262904	*6262904	*6262904	Insulator — Flange

* Contained In Overhaul Kit

ACCESSORIES	
7030605	Vapor Canister
7026014	Filter Element
7041344	Purge Valve Repair Kit
7023987	Spring — Purge Valve Diaphragm
7021739	Canister Filter Assembly



1972 ROCHESTER CARBURETOR MODEL 4 MV
350 CU. IN. ENGINE — 4 BC



PARTS SHOWN ARE FOR IDENTIFICATION ONLY. CONSULT PARTS LIST FOR CORRECT PART NAME AND NUMBER.

	Series 20 & 30	Series 10	Application
	7042208	7042211	Carburetor No.
	7047208	7046590	Replacement Package No.
	7041890	7041891	Overhaul Kit
	7039223	7039223	Power Carburetor Kit
	7041872	7041872	Gasket Set
Key			
AIR HORN PARTS			
1	7044884	7044884	Air Horn Assembly
11	*7038841	*7038841	Gasket — Air Horn
5	7026139	7026139	Lever — Pump Actuating
6	*9428787	*9428787	Roll Pin — Pump Lever Hinge
2	7029912	7029912	Screw — Air Horn
3	7014699	7014699	Screw — Air Horn
4	7031105	7031105	Screw — Air Horn
10	7046004	7046010	Metering Rod — Secondary
13	7034522	7034522	Secondary Metering Rod Holder Kit
—	7035344	7035344	Air Valve Spring & Cam Kit
CHOKE PARTS			
18	7044901	7044901	Vacuum Break Control & Bracket Assy.
26	7044903	7044903	Vacuum Break Control Assy.
22	7024257	7024257	Rod — Vacuum Break
17	7031925	7031925	Screw — Control Attaching
19	7042723	7042723	Cam — Fast Idle
21	7026339	7026339	Hose — Vacuum
14	7038855	7038855	Choke Shaft & Lever Assembly
16	7036021	7036021	Choke Valve
15	7029866	7029866	Screw — Choke Valve
25	7031231	7031231	Lever — Intermediate Choke
24	7037557	7037557	Rod — Choke



1972 ROCHESTER CARBURETOR MODEL 4MV — (Cont'd.)
350 CU. IN. ENGINE — 4 BC

	Series 20 & 30	Series 10	Application
	7042208	7042211	Carburetor No.
20	836159	836159	Clip — Choke Rod
23	836159	836159	Clip — Intermediate Choke Rod
—	7024256	7024256	Rod — Intermediate Choke
FLOAT BOWL PARTS			
27	7041887	7041876	Float Bowl Assembly
41	*7031971	*7031974	Jet — Primary
46	*7002117	*7002117	Ball — Pump Discharge
45	7029849	7029849	Retainer — Pump Discharge
33	*7035130	*7035130	Needle & Seat Assembly
33A	*Kit Only	*Kit Only	Gasket — Needle Seat
32	*7033751	*7033751	Pull Clip — Float Needle
30	7037316	7037316	Float Assembly
31	7037317	7037317	Hinge Pin — Float Assembly
43	7034903	7034903	Power Piston Assembly
47	7036019	7036019	Spring — Power Piston
40	*7034836	*7034843	Metering Rod — Primary
34	7029862	7029862	Spring — Metering Rod — Primary
52	7045605	7045605	Filter Nut — Fuel Inlet
54	*7024281	*7024281	Gasket — Filter Nut
55	5651393	5651393	Filter — Fuel Inlet
	7030588	7030588	Spring — Fuel Filter
59	7003176	7003176	Spring — Idle Stop Screw
58	7002121	7002121	Screw — Idle Stop
44	7037319	7037319	Insert — Float Bowl
39	7031365	7031365	Baffle — Float Bowl
29	*7037314	*7037314	Spring — Pump Return
28	*7037327	*7037327	Pump Assembly
57	7026138	7026138	Rod — Pump
51	7027270	7027270	Lever — Secondary Lockout
—	—	1997409	Solenoid Assembly — Idle Stop
—	—	7042682	Bracket — Solenoid
—	* —	*7042653	Locking Washer — Retaining Nut
—	—	7042654	Nut — Solenoid Retaining
—	—	7043682	Screw — Solenoid Bracket
THROTTLE BODY ASSEMBLY			
70	7041888	7041878	Throttle Body Assembly
65	*Kit Only	*Kit Only	Gasket — Throttle Body
68	7035790	7035790	Screw — Throttle Body
—	*7041660	*7041660	Idle Needle & Limiter Kit
66	7011479	7011479	Spring — Idle Needle
—	*7042801	*7042801	Limiter — Idle Needle
64	7043634	7043634	Lever — Cam Follower
69	7035772	7035772	Spring — Cam Lever
61	7030677	7030677	Lever — Fast Idle
60	7035523	7035523	Screw — Fast Idle Lever Attaching
63	7029899	7029899	Screw — Fast Idle Adjusting
62	7029900	7029900	Spring — Fast Idle Screw
71	*3998912	*3998912	Insulator — Flange

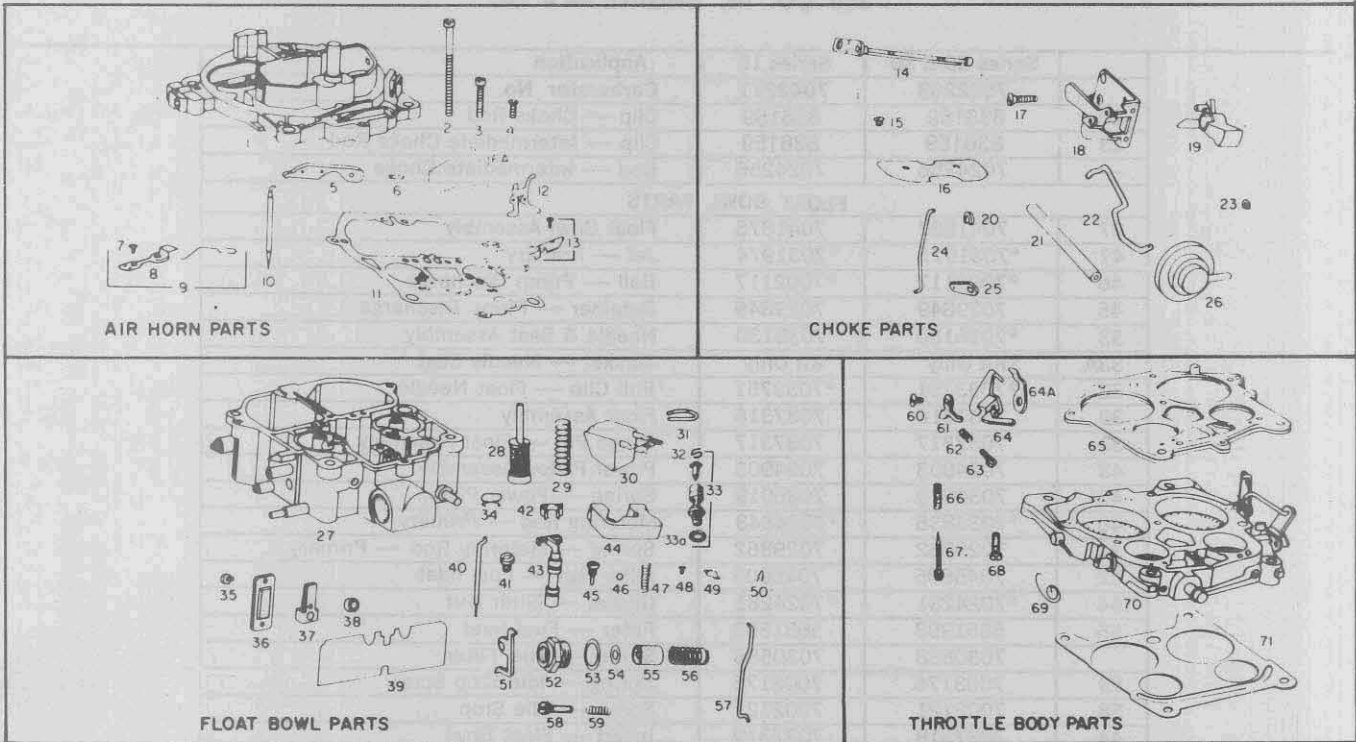
* Contained In Overhaul Kit

ACCESSORIES	
7030605	Vapor Canister
7026014	Filter Element
7041344	Purge Valve Repair Kit
7023987	Spring — Purge Valve Diaphragm
7021739	Canister Filter Assembly
7045607	Diverter Valve Assembly



1972 ROCHESTER CARBURETOR MODEL 4 MV

400 CU. IN. ENGINE — 4 BC



PARTS SHOWN ARE FOR IDENTIFICATION ONLY. CONSULT PARTS LIST FOR CORRECT PART NAME AND NUMBER.

Series 10		Series 20 & 30		Application
Auto. Trans.	Man. Trans.	Auto. Trans.	Man. Trans.	
7042206	7042207	7042219	7042218	Carburetor No.
7047207	7047207	7047237	7047237	Replacement Package No.
7041899	7041899	7041900	7041900	Overhaul Kit
7039233	7039233	7039222	7039222	Power Carburetor Kit
7041872	7041872	7041872	7041872	Gasket Set
Key				
AIR HORN PARTS				
1	7044885	7044885	7044883	Air Horn Assembly
11	*7038841	*7038841	*7038841	Gasket — Air Horn
5	7026139	7026139	7026139	Lever — Pump Actuating
6	*9428787	*9428787	*9428787	Roll Pin — Pump Lever Hinge
2	7029912	7029912	7029912	Screw — Air Horn (2)
3	7014699	7014699	7014699	Screw — Air Horn (5)
4	7031105	7031105	7031105	Screw — Air Horn (2)
10	7046010	7046010	7045840	Metering Rod — Secondary (2)
9	7034522	7034522	7034522	Secondary Metering Rod Holder Kit
	7035344	7035344	7035344	Air Valve Spring & Cam Kit
CHOKE PARTS				
18	7044901	7044901	7044901	Vacuum Break Control & Bracket Assy.
26	7044903	7044903	7044903	Vacuum Break Control Assy.
22	7024257	7024257	7024257	Rod — Vacuum Break
17	7031925	7031925	7031925	Screw — Control Attaching
19	7042723	7042723	7042723	Cam — Fast Idle
21	7026339	7026339	7026339	Hose — Vacuum
14	7038855	7038855	7038855	Choke Shaft & Lever Assembly
16	7036021	7036021	7036021	Choke Valve
15	7029866	7029866	7029866	Screw — Choke Valve (2)
25	7031231	7031231	7031231	Lever — Intermediate Choke



1972 ROCHESTER CARBURETOR MODEL 4MV — (Cont'd.)
400 CU. IN. ENGINE — 4 BC

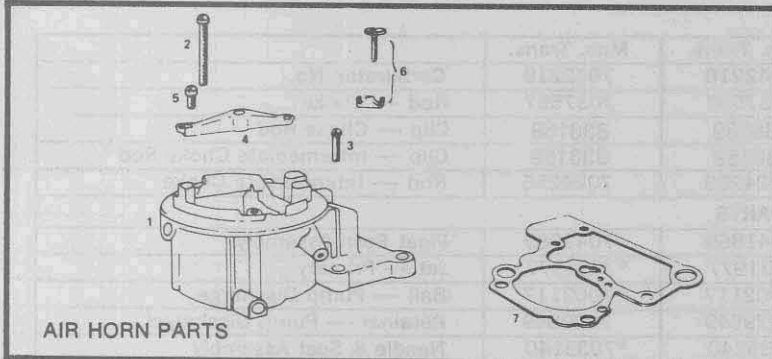
	Auto. Trans.	Man. Trans.	Auto. Trans.	Man. Trans.	Carburetor No.
	7042206	7042207	7042218	7042219	
24	7037557	7037557	7037557	7037557	Rod — Choke
20	836159	836159	836159	836159	Clip — Choke Rod
23	836159	836159	836159	836159	Clip — Intermediate Choke Rod
	7024256	7024256	7024256	7024256	Rod — Intermediate Choke
FLOAT BOWL PARTS					
27	7041887	7041887	7041869	7041869	Float Bowl Assembly
41	*7031972	*7031972	*7031977	*7031977	Jet — Primary
46	*7002117	*7002117	*7002117	*7002117	Ball — Pump Discharge
45	7029849	7029849	7029849	7029849	Retainer — Pump Discharge
33	*7035140	*7035140	*7035140	*7035140	Needle & Seat Assembly
33A	*Kit Only	*Kit Only	*Kit Only	*Kit Only	Gasket — Needle Seat
32	*7033751	*7033751	*7033751	*7033751	Pull Clip — Float Needle
30	7037316	7037316	7037316	7037316	Float Assembly
31	7037317	7037317	7037317	7037317	Hinge Pin — Float Assembly
43	7034903	7034903	7034903	7034903	Power Piston Assembly
47	7036019	7036019	7036019	7036019	Spring — Power Piston
40	*7034843	*7034843	*7034845	*7034845	Metering Rod — Primary
34	7029862	7029862	7029862	7029862	Spring — Metering Rod — Primary
52	7045605	7045605	7045605	7045605	Filter Nut — Fuel Inlet
54	*7024281	*7024281	*7024281	*7024281	Gasket — Filter Nut
55	5651393	5651393	5651393	5651393	Filter — Fuel Inlet
56	7030588	7030588	7030588	7030588	Spring — Fuel Filter
59	7003176	7003176	7003176	7003176	Spring — Idle Stop Screw
58	7002121	7002121	7002121	7002121	Screw — Idle Stop
44	7037319	7037319	7037319	7037319	Insert — Float Bowl
39	7031365	7031365	7031365	7031365	Baffle — Float Bowl
29	*7004597	*7004597	*7037314	*7037314	Spring — Pump Return
28	*7040691	*7040691	*7037327	*7037327	Pump Assembly
57	7026138	7026138	7026138	7026138	Rod — Pump
51	7027270	7027270	7027270	7027270	Lever — Secondary Lockout
	—	—	1997409	1997409	Solenoid Assembly — Idle Stop
	—	—	7042682	7042682	Bracket — Solenoid
	—	—	*7042653	*7042653	Locking Washer — Retaining Nut
	—	—	7042654	7042654	Nut — Solenoid Retaining
	—	—	7043682	7043682	Screw — Solenoid Bracket
THROTTLE BODY PARTS					
70	7041870	7041870	7041870	7041870	Throttle Body Assembly
65	*Kit Only	*Kit Only	*Kit Only	*Kit Only	Gasket — Throttle Body
68	7035790	7035790	7035790	7035790	Screw — Throttle Body
67	*7041660	*7041660	*7041660	*7041660	Idle Needle & Limiter Kit
66	7011479	7011479	7011479	7011479	Spring — Idle Needle
	*7042801	*7042801	*7042801	*7042801	Limiter — Idle Needle
64	7043634	7043634	7043634	7043634	Lever — Cam Follower
69	7035772	7035772	7035772	7035772	Spring — Cam Lever
61	7030677	7030677	7030677	7030677	Lever — Fast Idle
60	7035523	7035523	7035523	7035523	Screw — Fast Idle Lever Attaching
63	7029899	7029899	7029899	7029899	Screw — Fast Idle Adjusting
62	7029900	7029900	7029900	7029900	Spring — Fast Idle Screw
71	*3998912	*3998912	*3998912	*3998912	Insulator — Flange

* Contained In Overhaul Kit

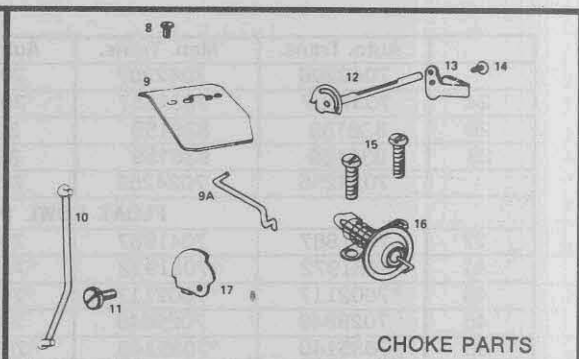
ACCESSORIES	
7030605	Vapor Canister
7026014	Filter Element
7041344	Purge Valve Repair Kit
7023987	Spring — Purge Valve Diaphragm
7021739	Canister Filter Assembly



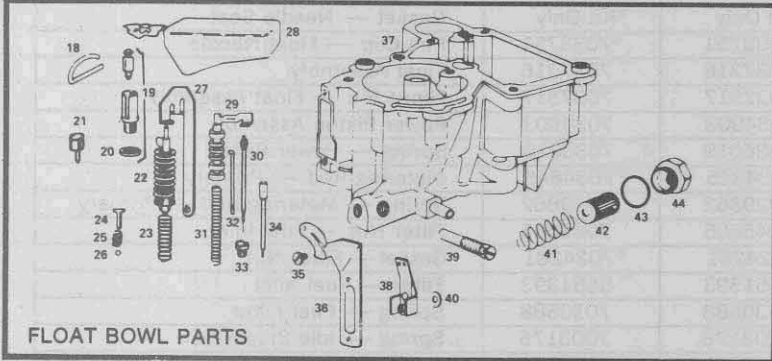
1973 ROCHESTER CARBURETOR MODEL MV
250 6 CYLINDER



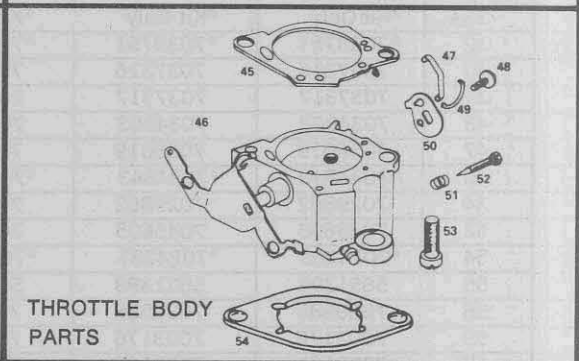
AIR HORN PARTS



CHOKE PARTS



FLOAT BOWL PARTS



THROTTLE BODY PARTS

PARTS SHOWN ARE FOR IDENTIFICATION ONLY. CONSULT PARTS LIST FOR CORRECT PART NAME AND NUMBER.

	250 Cu.In. 7043025	250 Cu. In. 7043022	250 Cu. In. 7043021	Application Carburetor No.
	7047325	7047322	7047321	Replacement Package No.
	7046678	7046677	7046883	Overhaul Kit
	7039248	7039248	7039248	Power Carburetor Kit
	7046679	7046679	7046679	Gasket Set
Key	AIR HORN PARTS			
1	7047496	7047281	7047281	Air Horn Assembly
2	7038912	7038912	7038912	Screw—Air Horn—Long (3)
3	7040135	7040135	7040135	Screw—Air Horn—Short (3)
4	7037773	7037773	7037773	Bracket—Air Cleaner Stud
5	7038913	7038913	7038913	Screw—Bracket Attaching (2)
7	7035166	7035166	7035166	*Gasket—Air Horn
	CHOKE PARTS			
12	7028175	7028175	7028175	Choke Shaft & Lever Assembly
9	7034012	7034012	7034012	Choke Valve
8	7020926	7020926	7020926	Screw—Choke Valve (2)
9A	7035206	7035207	7035207	Link—Vacuum Break
16	7030918	7030918	7030918	Vacuum Break Control Assembly
	7026339	7026339	7026339	Hose—Vacuum Break
10	7037000	7037000	7037000	Choke Rod
13	7030719	7030719	7030719	Choke Lever
14	7019709	7019709	7019709	Screw—Choke Lever
17	7048060	7048060	7048060	Cam—Fast Idle
11	7003561	7003561	7003561	Screw—Cam Attaching
	FLOAT BOWL PARTS			
37	7046698	7046686	7046687	Float Bowl Assembly
34	7046024	7046040	7046025	Idle Tube Assembly
33	7034206	7034206	7034206	*Jet—Main Metering
26	7002117	7002117	7002117	*Ball—Pump Discharge



1973 ROCHESTER CARBURETOR MODEL MV — Cont'd.

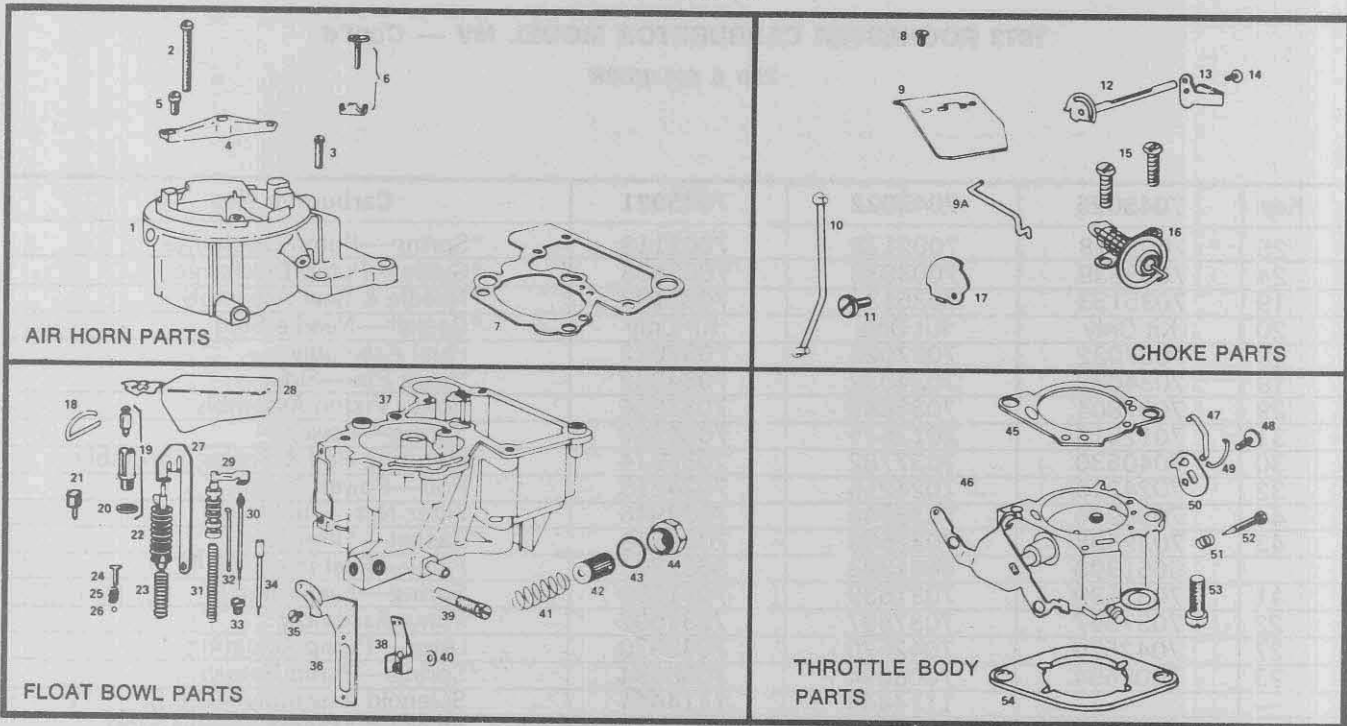
250 6 CYLINDER

Key	7043025	7043022	7043021	Carburetor No.
25	7002118	7002118	7002118	*Spring—Pump Discharge
24	7003838	7003838	7003838	*Guide—Pump Discharge
19	7035133	7035133	7035133	*Needle & Seat Assembly
20	Kit Only	Kit Only	Kit Only	*Gasket—Needle Seat
28	7037022	7037022	7037022	Float Assembly
18	7034032	7034032	7034032	Hinge Pin—Float
29	7037804	7035889	7037804	Power Piston Assembly
31	7012515	7012515	7034360	Spring—Power
30	7040630	7037782	7037974	*Metering Rod & Spring Assembly
32	7024215	7024215	7024215	Rod—Power Piston
44	7038946	7038946	7038946	Filter Nut—Fuel Inlet
43	7032508	7032508	7032508	*Gasket—Filter Nut
	5651393	5651393	5651393	Filter—Fuel Inlet (GF-427)
41	7031539	7031539	7031539	Spring—Fuel Filter
22	7037597	7037597	7037597	*Pump Assembly
27	7042670	7042670	7042670	Lever—Pump Actuating
23	7008694	7008694	7008694	*Spring—Pump Return
—	—	1114444	1114444	Solenoid Assembly—C.E.C.
—	7040314	7040316	7040316	Solenoid Assembly—Idle Stop
—	—	7040378	7040378	Bracket Assembly—Solenoid C.E.C.
—	—	7042654	7042654	Nut—Solenoid Retaining
—	—	7042653	7042653	*Locking Washer—Retaining Nut
—	—	7043661	7043661	Screw—Bracket Retaining
—	—	7026339	7026339	Hose—Vacuum
—	7042652	7042652	7042652	Bracket—Throttle Return Spring
—	7034030	7034030	7034030	Screw—Bracket (2)
THROTTLE BODY ASSEMBLY				
46	7046699	7046688	7046673	Throttle Body Assembly
45	Kit Only	Kit Only	Kit Only	*Gasket—Throttle Body
52	7041596	7041596	7041596	*Idle Needle & Limiter Kit
—	7043677	7043677	7043677	*Limiter—Idle Needle
51	7038989	7038989	7038989	Spring—Idle Needle
53	7038875	7038875	7038875	Screw—Throttle Body (2)
50	7024216	7024216	7024216	Lever—Pump & Power Rods
48	7010435	7010435	7010435	Screw—Lever Attaching
49	7024214	7024214	7024214	Link—Power Piston Rod
47	7037981	7037855	7037855	Link—Pump Lever
—	333977	333977	333977	*Insulator—Flange
ACCESSORIES				
—	7035189	7035189	7035189	Vapor Canister (Aux. Fuel Tank)
—	7030605	7030605	7030605	Vapor Canister (Standard)
—	7026014	7026014	7026014	Filter Element
—	7041344	7041344	7041344	Purge Valve Repair Kit
—	7023987	7023987	7023987	Spring—Purge Valve Diaphragm
—	7021739	7021739	7021739	Canister—Filter Assembly
—	7040005	7045625	7045625	Diverter Valve Assembly
—	—	7040438	7040438	EGR Valve (AT)
—	—	7035169	7035169	EGR Valve (ST)

* Contained In Overhaul Kit.



1973 ROCHESTER CARBURETOR MODEL MV
292 6 CYLINDER



PARTS SHOWN ARE FOR IDENTIFICATION ONLY. CONSULT PARTS LIST FOR CORRECT PART NAME AND NUMBER.

	292 Cu.In.	Application
	7043026	Carburetor No.
	7047326	Replacement Package No.
	7046694	Overhaul Kit
	7039248	Power Carburetor Kit
	7046679	Gasket Set
Key	AIR HORN PARTS	
1	7049917	Air Horn Assembly
2	7038912	Screw—Air Horn—Long (3)
3	7030917	Screw—Air Horn—Short (3)
4	7037773	Bracket—Air Cleaner Stud
5	7038913	Screw—Bracket Attaching (2)
7	7035166	*Gasket—Air Horn
	CHOKE PARTS	
12	7028175	Choke Shaft Lever Assembly
9	7034012	Choke Valve
8	7020926	Screw—Choke Valve (2)
9A	7035207	Link—Vacuum Break
16	7030918	Vacuum Break Control Assembly
	7026339	Hose—Vacuum Break
10	7037000	Choke Rod
13	7030719	Choke Lever
14	7019709	Screw—Choke Lever
17	7048061	Cam—Fast Idle
11	7003561	Screw—Cam Attaching
	FLOAT BOWL PARTS	
28	7046691	Float Bowl Assembly
34	7046024	Idle Tube Assembly
33	7034228	*Jet—Main Metering
26	7002117	*Ball—Pump Discharge



1973 ROCHESTER CARBURETOR MODEL MV — Cont'd.

292 6 CYLINDER

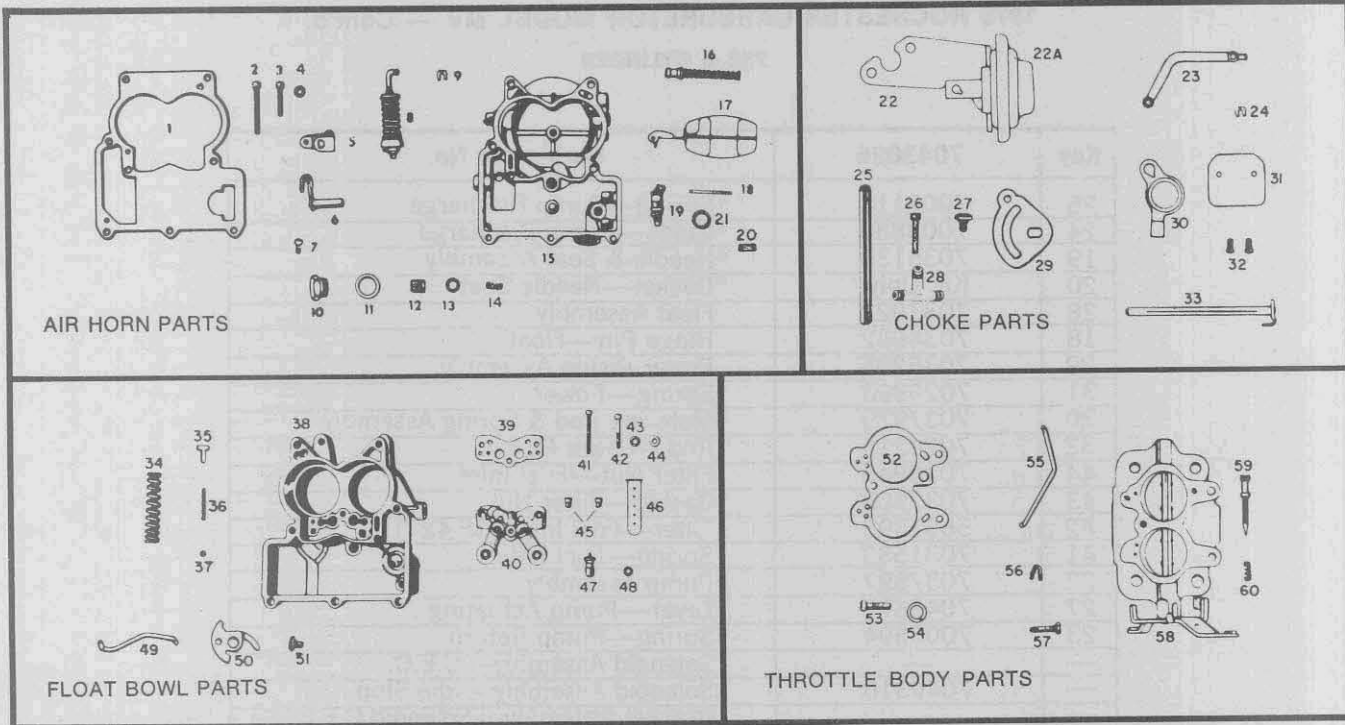
Key	7043026	Carburetor No.
25	7002118	*Spring—Pump Discharge
24	7003838	*Guide—Pump Discharge
19	7035133	*Needle & Seat Assembly
20	Kit Only	*Gasket—Needle Seat
28	7037022	Float Assembly
18	7034032	Hinge Pin—Float
29	7035295	Power Piston Assembly
31	7029993	Spring—Power
30	7037979	*Metering Rod & Spring Assembly
32	7024215	Rod—Power Piston
44	7038946	Filter Nut—Fuel Inlet
43	7032508	*Gasket—Filter Nut
42	5651393	Filter—Fuel Inlet (GF-427)
41	7031539	Spring—Fuel Filter
22	7037597	*Pump Assembly
27	7042670	Lever—Pump Actuating
23	7008694	*Spring—Pump Return
—	—	Solenoid Assembly—C.E.C.
—	7040316	Solenoid Assembly—Idle Stop
—	—	Bracket Assembly—Solenoid C.E.C.
—	—	Nut—Solenoid Retaining
—	—	*Locking Washer—Retaining Nut
—	—	Screw—Bracket Retaining
—	—	Hose—Vacuum
—	7042652	Bracket—Throttle Return Spring
—	7034030	Screw—Bracket (2)
THROTTLE BODY ASSEMBLY		
46	7046692	Throttle Body Assembly
45	Kit Only	*Gasket—Throttle Body
52	7041596	*Idle Needle & Limited Kit
—	7043677	*Limited—Idle Needle
51	7038989	Spring—Idle Needle
53	7038875	Screw—Throttle Body (2)
50	7024216	Lever—Pump & Power Rods
48	7010435	Screw—Lever Attaching
49	7024214	Link—Power Piston Rod
—	7037855	Link—Pump Lever
54	333977	*Insulator—Flange
ACCESSORIES		
—	7035189	Vapor Canister (Aux. Fuel Tank)
—	7030605	Vapor Canister (Standard)
—	7026014	Filter Element
—	7041344	Purge Valve Repair Kit
—	7023987	Spring-Purge Valve Diaphragm
—	7021739	Canister—Filter Assembly
—	—	Diverter Valve Assembly
—	—	EGR Valve (AT)
—	—	EGR Valve (ST)

* Contained In Overhaul Kit.



**CHEV-GMC TRUCK
PARTS CATALOGUE**

**1973 ROCHESTER CARBURETOR MODEL 2GV
307 CUBIC INCH ENGINE**



PARTS SHOWN ARE FOR IDENTIFICATION ONLY. CONSULT PARTS LIST FOR CORRECT PART NAME AND NUMBER.

	307 Cu. In.	307 Cu. In.	Application
	7043103	7043105	Carburetor No.
	7047301	7047301	Replacement Package No.
	7046884	7046884	Overhaul Kit
	7039250	7039250	Power Carburetor Kit
	7046706	7046706	Gasket Set
Key	AIR HORN PARTS		
1	7032888	7032888	*Gasket—Air Horn
2	7010432	7010432	Screw—Air Horn (Long)
3	7006119	7006119	Screw—Air Horn (Short)
4	120217	120217	Lockwasher—Air Horn (8)
5	7038630	7038630	Lever—Pump Inside
6	7038788	7038788	Pump Shaft & Lever Assy.
7	7011270	7011270	Screw—Pump Lever
—	7019568	7019568	Washer—Pump Lever
8	7045908	7045908	*Pump Assembly
10	7044786	7040953	Nut—Fuel Inlet Filter
—	—	137422	Elbow—Fuel Inlet
11	7032508	7032508	*Gasket—Filter Nut
12	7013404	7013404	Filter—Fuel Inlet
13	7013584	7013584	*Gasket—Fuel Filter
14	7034356	7034356	Spring—Fuel Filter
15	7046702	7046702	Air Horn Assembly
17	7037512	7037512	Float Assembly
18	7002081	7002081	Pin—Float Hinge
19	7035132	7035132	*Needle & Seat Assembly
21	Kit Only	Kit Only	*Gasket—Needle Seat
16	7034359	7034359	Power Piston Assembly
	CHOKE PARTS		
22	7042715	7042715	Vacuum Break Control & Brkt. Assy.



1973 ROCHESTER CARBURETOR MODEL 2GV

307 CUBIC INCH ENGINE

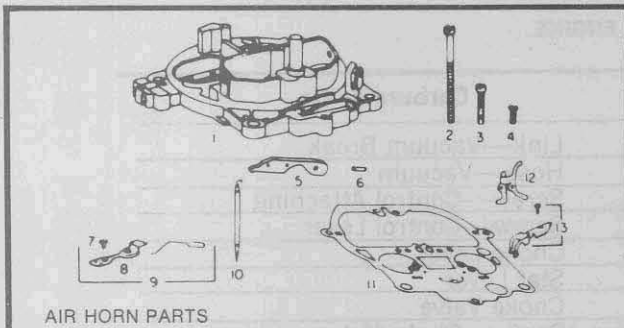
Key	7043103	7043105	Carburetor No.
23	7040239	7040239	Link—Vacuum Break
25	7026339	7026339	Hose—Vacuum
26	7011270	7011270	Screw—Control Attaching
27	7019709	7019709	Screw—Control Lever
30	7026239	7026239	Choke Lever
29	7040002	7040002	Stat Lever
31	7025955	7025955	Choke Valve
32	7007627	7007627	Screw—Choke Valve
33	7047839	7047839	Choke Shaft Assembly
FLOAT BOWL PARTS			
—	7002120	7002120	*Ball—Pump Inlet Check
—	7004557	7004557	*Strainer—Pump Inlet
34	7043600	7043600	*Spring—Pump Return
35	7000286	7000286	*Guide—Pump Discharge
36	7002118	7002118	*Spring—Pump Discharge
37	7002117	7002117	*Ball—Pump Discharge
38	7046703	7046703	Float Bowl Assembly
39	Kit Only	Kit Only	*Gasket—Venturi Cluster
40	7047925	7047925	Venturi Cluster Assembly
41	7000293	7000293	Screw—Venturi Cluster—Outer
42	7000294	7000294	Screw—Venturi Cluster—Center
43	121841	121841	Lockwasher—Outer Screw (8)
44	Kit Only	Kit Only	*Gasket—Center Screw
45	7002650	7002650	Jet—Standard
46	7021528	7021528	Insert—Main Well (2)
48	Kit Only	Kit Only	*Gasket—Power Valve
47	7037115	7037115	*Power Valve Assembly
49	7030521	7030521	Choke Rod
50	7040295	7040295	Fast Idle Cam
51	7003561	7003561	Screw—Cam Attaching
—	1997409	1997409	Solenoid—Idle Stop
—	7042818	7042818	Bracket Assembly—Solenoid
—	7042654	7042654	Nut—Solenoid Retaining
—	7042653	7042653	*Locking Washer—Retaining Nut
—	7043682	7043682	Screw—Bracket Attaching
THROTTLE BODY PARTS			
52	Kit Only	Kit Only	*Gasket—Throttle Body
53	7015105	7015105	Screw—Throttle Body (3)
54	121744	121744	Lockwasher—Throttle Body
55	7038799	7038799	Pump Rod
56	7018186	7018186	*Clip—Pump Rod
57	7029427	7029427	Idle Stop Screw
—	7029428	7029428	Spring—Idle Stop Screw
58	7046704	7046702	Throttle Body Assembly
59	7041612	7041612	*Idle Needle Kit
60	7011479	7011479	Spring—Idle Needle (2)
—	7043684	7043684	*Limiter—Idle Needle (2)
—	6262904	6262904	*Insulator—Flange
—	7029295	7029295	Diverter Valve
—	7030605	7030605	Vapor Canister
—	7026014	7026014	Filter Element
—	7041344	7041344	Purge Valve Repair Kit
—	7023987	7023987	Spring—Purge Valve Diaphragm
—	7021739	7021739	Canister Filter Assembly
—	7035170	7035170	EGR Valve (At. Trans.)
—	7035170	7035170	EGR Valve (St. Trans.)

* Contained In Overhaul Kit.

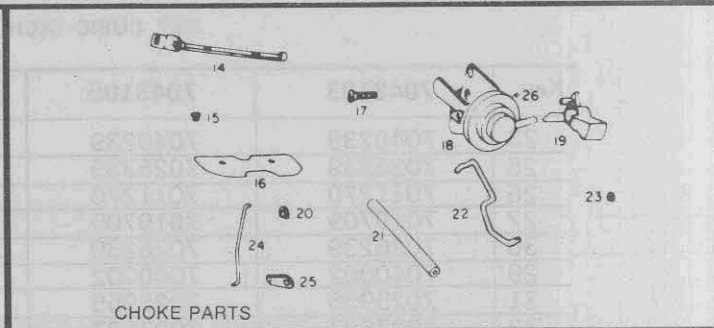


CHEV-GMC TRUCK
PARTS CATALOGUE

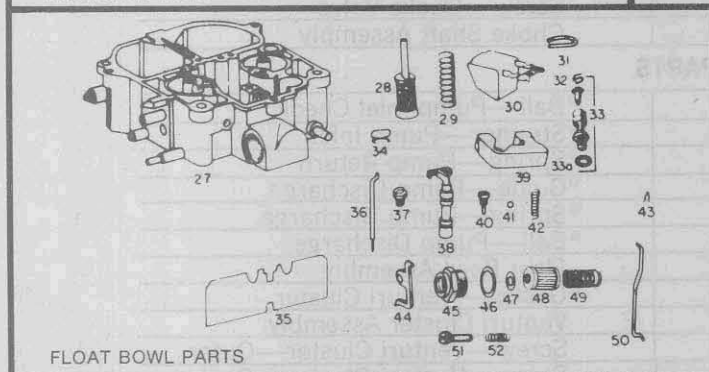
1973 ROCHESTER CARBURETOR MODEL 4MV
350 CUBIC INCH ENGINE — 4BC



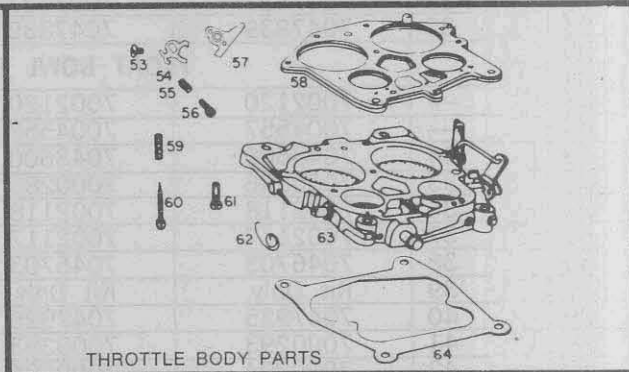
AIR HORN PARTS



CHOKE PARTS



FLOAT BOWL PARTS



THROTTLE BODY PARTS

PARTS SHOWN ARE FOR IDENTIFICATION ONLY. CONSULT PARTS LIST FOR CORRECT PART NAME AND NUMBER.

	350 Cu. In.	350 Cu. In.	350 Cu. In.	Application
	7043208	7043210	7043211	Carburetor No.
	7047320	7047319	7047319	Replacement Package No.
	7046851	7046852	7046852	Overhaul Kit
	7039259	7039259	7039259	Power Carburetor Kit
	7046779	7046779	7046779	Gasket Set
Key	AIR HORN PARTS			
1	7048988	7048988	7048988	Air Horn Assembly
11	7038841	7038841	7038841	Gasket—Air Horn
5	7048028	7048028	7048028	Lever—Pump Actuating
6	9428787	9428787	9428787	Roll Pin—Pump Lever Hinge
2	7029912	7029912	7029912	Screw—Air Horn (2)
3	7014699	7014699	7014699	Screw—Air Horn (5)
4	7031105	7031105	7031105	Screw—Air Horn (2)
10	7046010	7046010	7046010	Metering Rod—Secondary (2)
13	7034522	7034522	7034522	Secondary Metering Rod Holder Kit
—	7035344	7035344	7035344	Air Valve Spring & Cam Kit
	CHOKE PARTS			
18	7044901	7047878	7047878	Vacuum Break Control & Bracket Assembly
26	7044903	7040181	7040181	Vacuum Break Control Assembly
22	7024257	7024257	7024257	Rod—Vacuum Break
17	7031925	7031925	7031925	Screw—Control Attaching
19	7047876	7047876	7047876	Cam—Fast Idle
21	7026339	7026339	7026339	Hose—Vacuum
14	7038855	7038855	7038855	Choke Shaft — Lever Assembly
16	7036021	7036021	7036021	Choke Valve
15	7029866	7029866	7029866	Screw—Choke Valve (2)
25	7031231	7031231	7031231	Lever—Intermediate Choke
24	7037557	7037557	7037557	Rod—Choke
—	7024256	7024256	7024256	Rod—Intermediate Choke
	FLOAT BOWL PARTS			
27	7046849	7046826	7046826	Float Bowl Assembly
37	7031970	7031973	7031973	*Jet—Primary (2)
41	7002117	7002117	7002117	*Ball—Pump Discharge
40	7029849	7029849	7029849	Retainer—Pump Discharge
33	7035140	7035140	7035140	*Needle & Seat Assembly
33A	Kit Only	Kit Only	Kit Only	*Gasket—Needle Seat

1973 ROCHESTER CARBURETOR MODEL 4MV — Cont'd.

350 CUBIC INCH ENGINE — 4BC

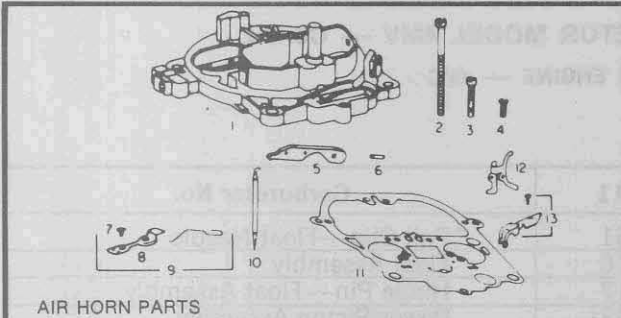
Key	7043208	7043210	7043211	Carburetor No.
32	7033751	7033751	7033751	*Pull Clip—Float Needle
30	7037316	7037316	7037316	Float Assembly
31	7037317	7037317	7037317	Hinge Pin—Float Assembly
26	7034903	7034903	7034903	Power Piston Assembly
42	7037305	7036019	7036019	Spring—Power Piston
36	7034836	7034842	7034842	*Metering Rod—Primary (2)
34	7029862	7029862	7029862	Spring—Metering Rod—Primary
45	7045605	7045605	7045605	Filter Nut—Fuel Inlet
46	7024281	7024281	7024281	*Gasket—Filter Nut
48	5651393	5651393	5651393	Filter—Fuel Inlet
49	7030588	7030588	7030588	Spring—Fuel Filter
52	7003176	7003176	7003176	Spring—Idle Stop Screw
51	7002121	7002121	7002121	Screw—Idle Stop
39	7037319	7037319	7037319	Insert—Float Bowl
35	7031365	7031365	7031365	Baffle—Float Bowl
29	7004597	7004597	7004597	Spring—Pump Return
28	7040691	7040691	7040691	Pump Assembly
50	7026138	7026138	7026138	Rod—Pump
44	7027270	7027270	7027270	Lever—Secondary Lockout
—	—	1997409	1997409	Solenoid Assembly—Idle Stop
—	—	7042682	7042682	Bracket—Solenoid
—	—	7042653	7042653	*Locking Washer—Retaining Nut
—	—	7042654	7042654	Nut—Solenoid Retaining
—	—	7043682	7043682	Screw—Solenoid Bracket
THROTTLE BODY PARTS				
63	7046850	7046827	7046827	Throttle Body Assembly
58	Kit Only	Kit Only	Kit Only	*Gasket—Throttle Body
61	7035790	7035790	7035790	Screw—Throttle Body (3)
60	7041660	7041716	7041716	*Idle Needle & Limiter Kit
59	7011479	7011479	7011479	Spring—Idle Needle (2)
—	7042801	7042801	7042801	*Limiter—Idle Needle (2)
57	7043634	7043634	7043634	Lever—Cam Follower
62	7035772	7035772	7035772	Spring—Cam Lever
54	7030677	7030677	7030677	Lever—Fast Idle
53	7035523	7035523	7035523	Screw—Fast Idle Lever Attaching
56	7029899	7029899	7029899	Screw—Fast Idle Adjusting
55	7029900	7029900	7029900	Spring—Fast Idle Screw
64	3998912	3998912	3998912	*Insulator—Flange
ACCESSORIES				
—	7030605	7030605	7030605	Vapor Canister
—	7026014	7026014	7026014	Filter Element
—	7041344	7041344	7041344	Purge Valve Repair Kit
—	7023987	7023987	7023987	Spring—Purge Valve Diaphragm
—	7021739	7021739	7021739	Canister Filter Assembly
—	7029295	7029295	7029295	Diverter Valve
—	7035172	7035172	7035172	EGR Valve (AT Trans.)
—	7040318	7040318	7040318	EGR Valve (ST Trans.)

* Contained In Overhaul Kit.

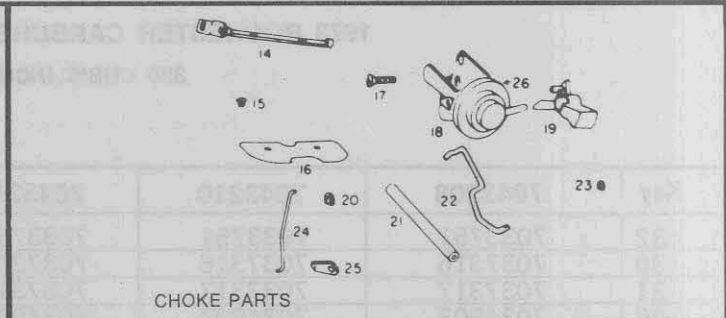


CHEV-GMC TRUCK
PARTS CATALOGUE

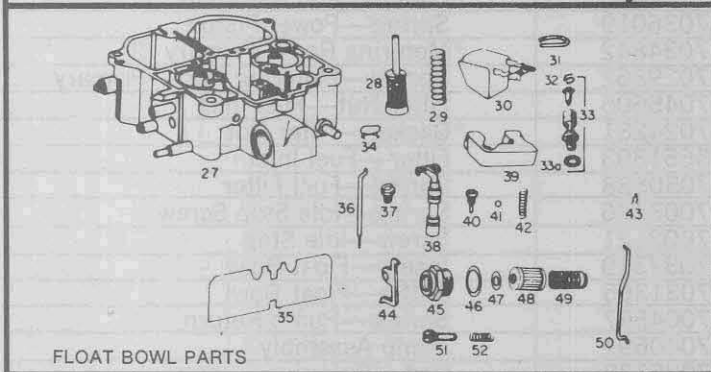
1973 ROCHESTER CARBURETOR MODEL 4MV
350 CUBIC INCH ENGINE — 4BC



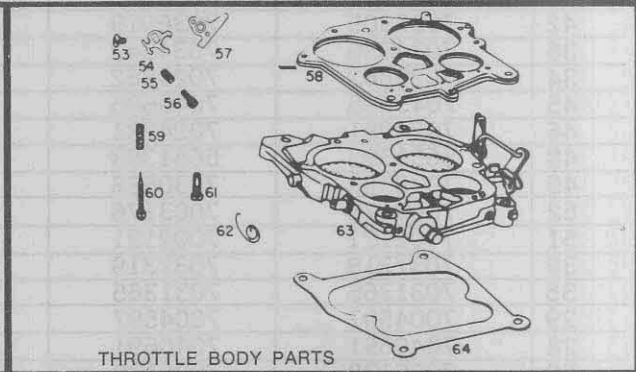
AIR HORN PARTS



CHOKE PARTS



FLOAT BOWL PARTS



THROTTLE BODY PARTS

PARTS SHOWN ARE FOR IDENTIFICATION ONLY. CONSULT PARTS LIST FOR CORRECT PART NAME AND NUMBER.

	350 Cu. In.	350 Cu. In.	350 Cu. In.	Application
	7043202	7043203	7043215	Carburetor No.
	7047303	7047303	7047306	Replacement Package No.
	7046828	7046828	7046887	Overhaul Kit
	7039259	7039259	7039259	Power Carburetor Kit
	7046779	7046779	7046779	Gasket Set
Key	AIR HORN PARTS			
1	7048988	7048988	7048988	Air Horn Assembly
11	7038841	7038841	7038841	Gasket—Air Horn
5	7048028	7048028	7048028	Lever—Pump Actuating
6	9428787	9428787	9428787	Roll Pin—Pump Lever Hinge
2	7029912	7029912	7029912	Screw—Air Horn (2)
3	7014699	7014699	7014699	Screw—Air Horn (5)
4	7031105	7031105	7031105	Screw—Air Horn (2)
10	7046010	7046010	7046010	Metering Rod—Secondary (2)
13	7034522	7034522	7034522	Secondary Metering Rod Holder Kit
—	7035344	7035344	7035344	Air Valve Spring & Cam Kit
	CHOKE PARTS			
18	7047878	7047878	7044901	Vacuum Break Control & Bracket Assembly
26	7040181	7040181	7044903	Vacuum Break Control Assembly
22	7024257	7024257	7024257	Rod—Vacuum Break
17	7031925	7031925	7031925	Screw—Control Attaching
19	7047876	7047876	7047876	Cam—Fast Idle
21	7026339	7026339	7026339	Hose—Vacuum
14	7038855	7038855	7038855	Choke Shaft — Lever Assembly
16	7036021	7036021	7036021	Choke Valve
15	7029866	7029866	7029866	Screw—Choke Valve (2)
25	7031231	7031231	7031231	Lever—Intermediate Choke
24	7037557	7037557	7037557	Rod—Choke
—	7024256	7024256	7024256	Rod—Intermediate Choke
	FLOAT BOWL PARTS			
27	7046826	7046826	7046861	Float Bowl Assembly
37	7031973	7031973	7031972	* Jet—Primary (2)
41	7002117	7002117	7002117	* Ball—Pump Discharge
40	7029849	7029849	7029849	Retainer—Pump Discharge
33	7035140	7035140	7035140	* Needle & Seat Assembly
33A	— Kit Only	Kit Only	Kit Only	* Gasket—Needle Seat



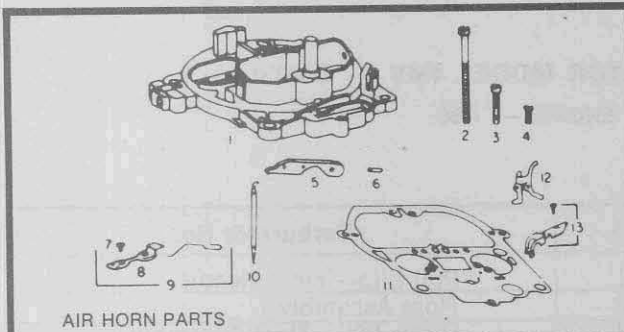
1973 ROCHESTER CARBURETOR MODEL 4MV — Cont'd.
350 CUBIC INCH ENGINE — 4BC

Key	7043202	7043203	7043215	Carburetor No.
32	7033751	7033751	7033751	*Pull Clip—Float Needle
30	7037316	7037316	7037316	Float Assembly
31	7037317	7037317	7037317	Hinge Pin—Float Assembly
38	7034903	7034903	7034903	Power Piston Assembly
42	7036019	7036019	7037305	Spring—Power Piston
36	7034844	7034844	7034839	*Metering Rod—Primary (2)
34	7029862	7029862	7029862	Spring—Metering Rod—Primary
45	7045605	7045605	7045605	Filter Nut—Fuel Inlet
46	7024281	7024281	7024281	*Gasket—Filter Nut
48	5651393	5651393	5651393	Filter—Fuel Inlet
49	7030588	7030588	7030588	Spring—Fuel Filter
52	7003176	7003176	7003176	Spring—Idle Stop Screw
51	7002121	7002121	7002121	Screw—Idle Stop
39	7037319	7037319	7037319	Insert—Float Bowl
35	7031365	7031365	7031365	Baffle—Float Bowl
29	7004597	7004597	7004597	Spring—Pump Return
28	7040691	7040691	7040691	Pump Assembly
50	7026138	7026138	7026138	Rod—Pump
44	7027270	7027270	7027270	Lever—Secondary Lockout
—	1997409	1997409	—	Solenoid Assy—Idle Stop
—	7042682	7042682	—	Bracket—Solenoid
—	7042653	7042653	—	*Locking Washer—Retaining Nut
—	7042654	7042654	—	Nut—Solenoid Retaining
—	7043682	7043682	—	Screw—Solenoid Bracket
THROTTLE BODY PARTS				
63	7046875	7046875	7046909	Throttle Body Assembly
58	Kit Only	Kit Only	Kit Only	*Gasket—Throttle Body
61	7035790	7035790	7035790	Screw—Throttle Body (3)
60	7041716	7041716	7041660	*Idle Needle & Limited Kit
59	7011479	7011479	7011479	Spring—Idle Needle (2)
—	7042801	7042801	7042801	*Limiter—Idle Needle (2)
57	7043634	7043634	7043634	Lever—Cam Follower
62	7035772	7035772	7035772	Spring—Cam Lever
54	7030677	7030677	7030677	Lever—Fast Idle
53	7035523	7035523	7035523	Screw—Fast Idle Lever Attaching
56	7029899	7029899	7029899	Screw—Fast Idle Adjusting
55	7029900	7029900	7029900	Spring—Fast Idle Screw
64	3998912	3998912	3998912	*Insulator—Flange
ACCESSORIES				
—	7030605	7030605	7030605	Vapor Canister
—	7026014	7026014	7026014	Filter Element
—	7041344	7041344	7041344	Purge Valve Repair Kit
—	7023987	7023987	7023987	Spring—Purge Valve Diaphragm
—	7021739	7021739	7021739	Canister Filter Assembly
—	7029295	7029295	—	Diverter Valve
—	7035172	7035172	—	EGR Valve (At Trans.)
—	7040318	7040318	—	EGR Valve (St. Trans.)

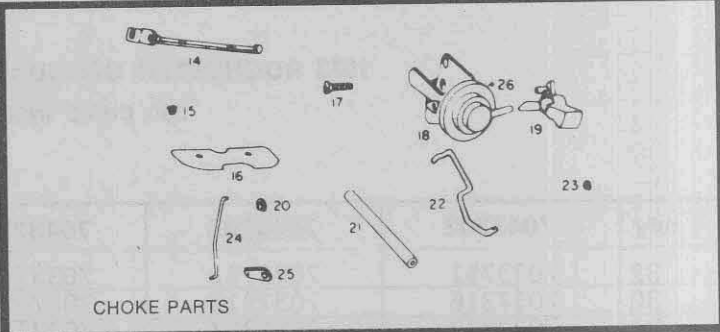
* Contained In Overhaul Kit.



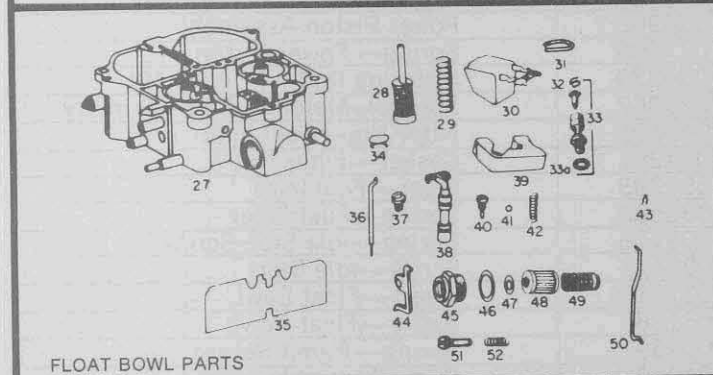
1973 ROCHESTER CARBURETOR MODEL 4MV
454 CUBIC INCH ENGINE — 4BC



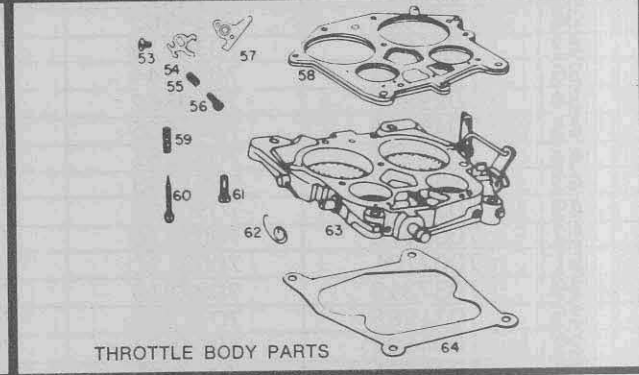
AIR HORN PARTS



CHOKE PARTS



FLOAT BOWL PARTS



THROTTLE BODY PARTS

PARTS SHOWN ARE FOR IDENTIFICATION ONLY. CONSULT PARTS LIST FOR CORRECT PART NAME AND NUMBER.

	454 Cu. In.	454 Cu. In.	454 Cu. In.	Application
	7043200	7043207	7043216	Carburetor No.
	7047316	7047307	7047304	Replacement Package No.
	7046777	7046859	7046778	Overhaul Kit
	7039259	7039259	7039259	Power Carburetor Kit
	7046779	7046779	7046779	Gasket Set
Key	AIR HORN PARTS			
1	7047613	7047613	7047613	Air Horn Assembly
11	7038841	7038841	7038841	*Gasket—Air Horn
5	7048028	7048028	7048028	Lever—Pump Actuating
6	9428787	9428787	9428787	*Roll Pin—Pump Lever Hinge
2	7029912	7029912	7029912	Screw—Air Horn (2)
3	7014699	7014699	7014699	Screw—Air Horn (5)
4	7031105	7031105	7031105	Screw—Air Horn (2)
10	7046010	7046010	7046010	Metering Rod—Secondary (2)
13	7034522	7034522	7034522	Secondary Metering Rod Holder Kit
—	7035344	7035344	7035344	Air Valve Spring & Cam Kit
	CHOKE PARTS			
18	7047872	7047874	7047872	Vacuum Break Control & Brkt. Assy.
26	7040384	7040385	7040384	Vacuum Break Control Assy.
22	7024257	7024257	7024257	Rod—Vacuum Break
17	7031925	7031925	7031925	Screw—Control Attaching
19	7047378	7047378	7047378	Cam—Fast Idle
21	7026339	7026339	7026339	Hose—Vacuum
14	7047614	7047614	7047614	Choke Shaft & Lever Assembly
16	7036021	7036021	7036021	Choke Valve
15	7029866	7029866	7029866	Screw—Choke Valve (2)
25	7031231	7031231	7031231	Lever—Intermediate Choke
24	7037557	7037557	7037557	Rod—Choke
—	7040039	7040039	7040039	Rod—Intermediate Choke
	FLOAT BOWL PARTS			
27	7046772	7046854	7046878	Float Bowl Assembly
37	7031977	7031969	7031977	*Jet—Primary (2)



1973 ROCHESTER CARBURETOR MODEL 4MV — Cont'd.

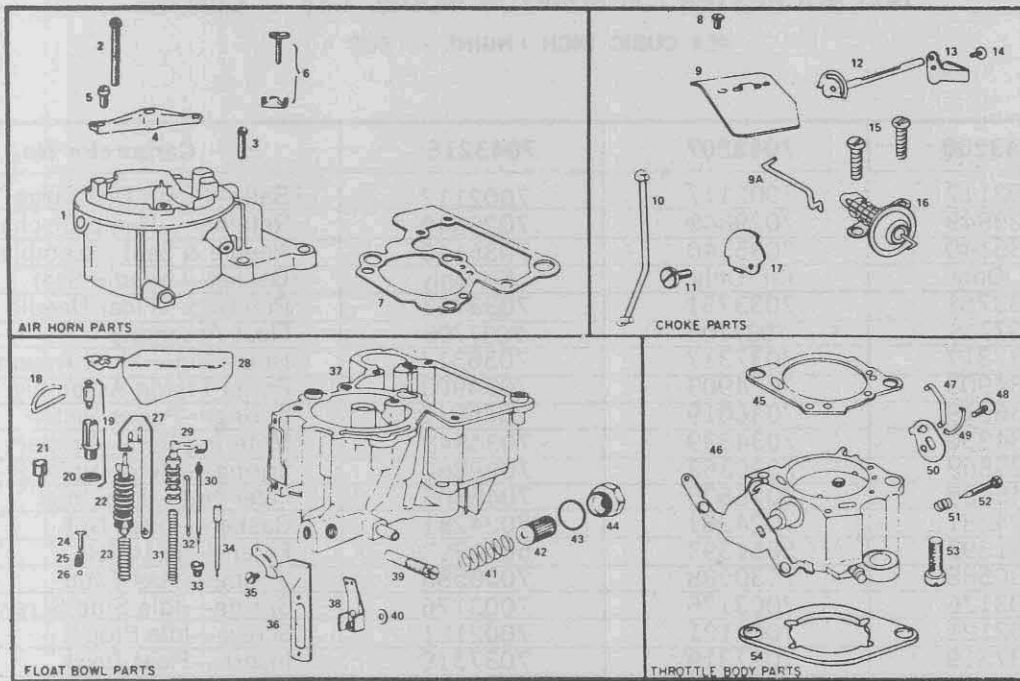
454 CUBIC INCH ENGINE — 4BC

Key	7043200	7043207	7043216	Carburetor No.
41	7002117	7002117	7002117	*Ball—Pump Discharge
40	7029849	7029849	7029849	Retainer—Pump Discharge
33	7035140	7035140	7035140	*Needle & Seat Assembly
33A	Kit Only	Kit Only	Kit Only	*Gasket—Needle Seat
32	7033751	7033751	7033751	*Pull Clip—Float Needle
30	7037705	7037705	7037705	Float Assembly
31	7037317	7037317	7036317	Hinge Pin—Float Assembly
38	7034903	7034903	7034903	Power Piston Assembly
42	7036019	7036019	7036019	Spring—Power Piston
36	7034850	7034839	7034848	*Metering Rod—Primary (2)
34	7029862	7029862	7029862	Spring—Metering Rod—Primary
45	7045605	7045605	7045605	Filter Nut—Fuel Inlet
46	7024281	7024281	7024281	*Gasket—Filter Nut
48	5651393	5651393	5651393	Filter—Fuel Inlet
49	7030588	7030588	7030588	Spring—Fuel Filter
52	7003176	7003176	7003176	Spring—Idle Stop Screw
51	7002121	7002121	7002121	Screw—Idle Stop
39	7037319	7037319	7037319	Insert—Float Bowl
35	7031365	7031365	7031365	Baffle—Float Bowl
29	7004597	7004597	7004597	*Spring—Pump Return
28	7040691	7040691	7040691	*Pump Assembly
50	7026138	7026138	7026138	Rod—Pump
44	7027270	7027270	7027270	Lever—Secondary Lockout
—	1997417	1997417	—	Solenoid Assembly—Idle Stop
—	7042682	7042682	—	Bracket—Solenoid
—	7042653	7042653	—	*Locking Washer—Retaining Nut
—	7042654	7042654	—	Nut—Solenoid Retaining
—	7043682	7043682	—	Screw—Solenoid Bracket
THROTTLE BODY PARTS				
63	7046774	7046896	7046774	Throttle Body Assembly
58	Kit Only	Kit Only	Kit Only	*Gasket—Throttle Body
61	7035790	7035790	7035790	Screw—Throttle Body (3)
60	7041716	7041716	7041716	*Idle Needle & Limiter Kit
59	7011479	7011479	7011479	Spring—Idle Needle (2)
—	7042801	7042801	7042801	*Limited—Idle Needle (2)
57	7043634	7043634	7043634	Lever—Cam Follower
62	7035772	7035772	7035772	Spring—Cam Lever
54	7030677	7030677	7030677	Lever—Fast Idle
53	7035523	7035523	7035523	Screw—Fast Idle Lever Attaching
56	7029899	7029899	7029899	Screw—Fast Idle Adjusting
55	7029900	7029900	7029900	Spring—Fast Idle Screw
64	3998912	3998912	3998912	*Insulator—Flange
ACCESSORIES				
—	7030605	7030605	7030605	Vapor Canister
—	7026014	7026014	7026014	Filter Element
—	7041344	7041344	7041344	Purge Valve Repair Kit
—	7023987	7023987	7023987	Spring—Purge Valve Diaphragm
—	7021739	7021739	7021739	Canister Filter Assembly
—	7046328	7040024	7040024	Diverter Valve
—	7040495	7040495	7040495	E.G.R. Valve (At. Trans.)
—	7047066	7047066	7047066	E.G.R. Valve (St. Trans.)

* Contained In Overhaul Kit.



1974 ROCHESTER CARBURETOR MODEL MV
250 6 CYLINDER



PARTS SHOWN ARE FOR IDENTIFICATION ONLY. CONSULT PARTS LIST FOR CORRECT PART NAME AND NUMBER.

250 cu. in. 7044021	250 cu. in. 7044022	Application Carburetor No.
7047421	7047422	Replacement Package No.
7046951	7046883	Overall Kit
7039248	7039248	Power Carburetor Kit
7046679	7046679	Gasket Set

KEY	AIR HORN PARTS		
1	7049919	7049919	Air Horn Assembly
2	7038912	7038912	Screw—Air Horn—Long (3)
3	7030917	7030917	Screw—Air Horn—Short (3)
4	7037773	7037773	* Bracket—Air Cleaner Stud
5	7038913	7038913	Screw—Bracket Attaching (2)
7	7035166	7035166	*Gasket—Air Horn
	CHOKE PARTS		
12	7028175	7028175	Choke Shaft & Lever Assy.
9	7049918	7049918	Choke Valve
8	7020926	7020926	Screw—Choke Valve (2)
9A	7035207	7035207	Link—Vacuum Break
16	7030918	7030918	Vacuum Break Control Assy.
—	7026339	7026339	Hose—Vacuum Break
10	7037000	7037000	Choke Rod
13	7030719	7030719	Choke Lever
14	7019709	7019709	Screw—Choke Lever
17	7048770	7048770	Cam—Fast Idle
11	7003561	7003561	Screw—Cam Attaching
	FLOAT BOWL PARTS		
28	7046945	7046998	Float Bowl Assembly
—	7046025	7046040	Idle Tube Assembly
33	7034206	7034206	*Jet—Main Metering
26	7002117	7002117	*Ball—Pump Discharge



1974 ROCHESTER CARBURETOR MODEL MV—(Cont'd.)

250 6 CYLINDER

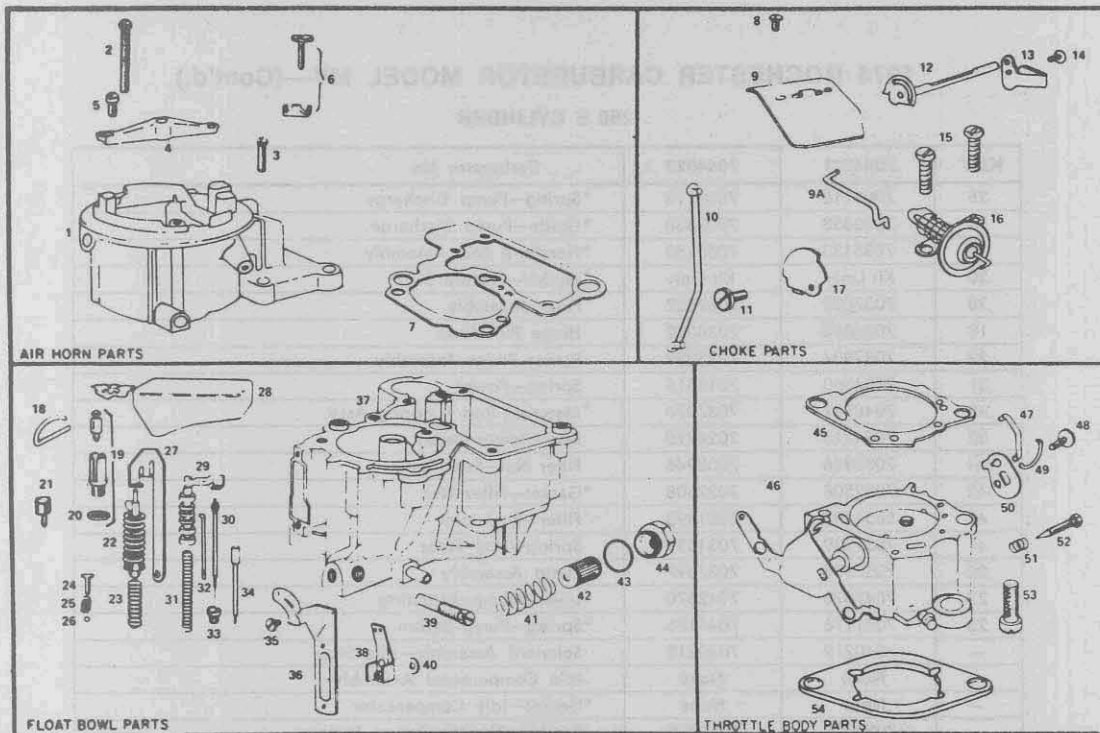
KEY	7044021	7044022	Carburetor No.
25	7002118	7002118	*Spring—Pump Discharge
24	7003838	7003838	*Guide—Pump Discharge
19	7035133	7035133	*Needle & Seat Assembly
20	Kit Only	Kit Only	*Gasket—Needle Seat
28	7037022	7037022	Float Assembly
18	7034032	7034032	Hinge Pin—Float
29	7037804	7035889	Power Piston Assembly
31	7034360	7012515	Spring—Power
30	7048987	7037974	*Metering Rod & Spring Assy.
32	7024215	7024215	Rod—Power Piston
44	7038946	7038946	Filter Nut—Fuel Inlet
43	7032508	7032508	*Gasket—Filter Nut
42	5651393	5651393	Filter—Fuel Inlet
41	7031539	7031539	Spring—Fuel Filter
22	7037597	7037597	*Pump Assembly
27	7042670	7042670	Lever—Pump Actuating
23	7041176	7041176	*Spring—Pump Return
—	7040219	7040219	Solenoid Assembly—Idle Stop
—	None	None	Idle Compensator Assembly
—	None	None	*Gasket—Idle Compensator
—	17050025	17050025	Bracket—Throttle Return Spring
—	7041287	7041287	Screw—Bracket (2)
—	17050024	17050024	Screw—Bracket
THROTTLE BODY PARTS			
46	7048266	7048267	Throttle Body Assembly
45	Kit Only	Kit Only	*Gasket—Throttle Body
52	7042427	7042427	*Idle Needle
51	7038989	7038989	Spring—Idle Needle
53	7038875	7038875	Screw—Throttle Body (2)
50	7024216	7024216	Lever—Pump & Power Rods
48	7010435	7010435	Screw—Lever Attaching
49	7024214	7024214	Link—Power Piston Rod
47	7037855	7037855	Link—Pump Lever
54	333977	333977	*Insulator—Flange

*Contained In Overhaul Kit



1974 ROCHESTER CARBURETOR MODEL MV

250 OR 292 6 CYLINDER



PARTS SHOWN ARE FOR IDENTIFICATION ONLY. CONSULT PARTS LIST FOR CORRECT PART NAME AND NUMBER.

250 cu. in. 7044025	292 cu. in. 7044026	Application Carburetor No.
7047425	7047426	Replacement Package No.
7046678	7046694	Overhaul Kit
7039248	7039248	Power Carburetor Kit
7046679	7046679	Gasket Set

KEY	AIR HORN PARTS		
1	7049917	7049917	Air Horn Assembly
2	7038912	7038912	Screw—Air Horn—Long (3)
3	7030917	7030917	Screw—Air Horn—Short (3)
4	7037773	7037773	Bracket—Air Cleaner Stud
5	7038913	7038913	Screw—Bracket Attaching (2)
7	7035166	7035166	*Gasket—Air Horn
CHOKE PARTS			
12	7028175	7028175	Choke Shaft and Lever Assembly
9	7049918	7049918	Choke Valve
8	7020926	7020926	Screw—Choke Valve (2)
9A	7035206	7035207	Link—Vacuum Break
16	17050374	17050374	Vacuum Break Control Assembly
—	7026339	7026339	Hose—Vacuum Break
10	7037000	7037000	Choke Rod
13	7030719	7030719	Choke Lever
14	7019709	7019709	Screw—Choke Lever
17	7048771	7048772	Cam—Fast Idle
11	7003561	7003561	Screw—Cam Attaching
FLOAT BOWL PARTS			
37	7046994	7046995	Float Bowl Assembly
34	7046024	7046024	Idle Tube Assembly
33	7034206	7034228	*Jet—Main Metering
26	7002117	7002117	*Ball—Pump Discharge



1974 ROCHESTER CARBURETOR MODEL MV—(Cont'd.)

250 OR 292 6 CYLINDER

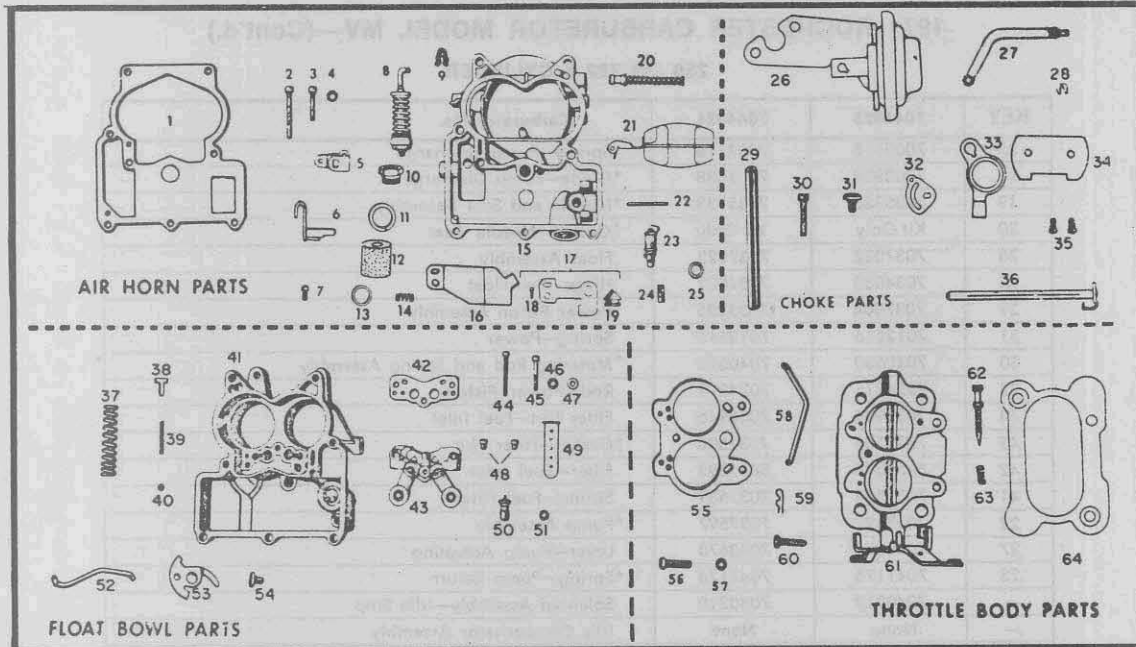
KEY	7044025	7044026	Carburetor No.
25	7002118	7002118	*Spring—Pump Discharge
24	7003838	7003838	*Guide—Pump Discharge
19	7035133	7035133	*Needle and Seat Assembly
20	Kit Only	Kit Only	*Gasket—Needle Seat
28	7037022	7037022	Float Assembly
18	7034032	7034032	Hinge Pin—Float
29	7037804	7035295	Power Piston Assembly
31	7012515	7012515	Spring—Power
30	7040630	7040673	*Metering Rod and Spring Assembly
32	7024215	7024215	Rod—Power Piston
44	7038946	7038946	Filter Nut—Fuel Inlet
43	7032508	7032508	*Gasket—Filter Nut
42	5651393	5651393	Filter—Fuel Inlet
41	7031539	7031539	Spring—Fuel Filter
22	7037597	7037597	*Pump Assembly
27	7042670	7042670	Lever—Pump Actuating
23	7041176	7041176	*Spring—Pump Return
—	7040219	7040219	Solenoid Assembly—Idle Stop
—	None	None	Idle Compensator Assembly
—	None	None	*Gasket—Idle Compensator
—	17050025	17050025	Bracket—Throttle Return
—	7041287	7041287	Screw—Bracket (2)
—	17050024	17050024	Screw—Bracket
THROTTLE BODY PARTS			
46	7048268	7048269	Throttle Body Assembly
45	Kit Only	Kit Only	*Gasket—Throttle Body
52	7042427	7042427	*Idle Needle
51	7038989	7038989	Spring—Idle Needle
53	7038875	7038875	Screw—Throttle Body (2)
50	7024216	7024216	Lever—Pump and Power Rods
48	7010435	7010435	Screw—Lever Attaching
49	7024214	7024214	Link—Power Piston Rod
47	7037981	7037855	Link—Pump Lever
54	333977	333977	*Insulator Flange

*Contained In Overhaul Kit



1974 ROCHESTER CARBURETOR MODEL 2G

350 CUBIC INCH ENGINE



PARTS SHOWN ARE FOR IDENTIFICATION ONLY. CONSULT PARTS LIST FOR CORRECT PART NAME AND NUMBER.

350 cu. in. 7044123 7044113	350 cu. in. 7044124 7044114	Application Carburetor No.
7047415	7047402	Replacement Package No.
17050518	17050518	Overhaul Kit
7039267	7039267	Power Carburetor Kit
17050519	17050519	Gasket Set

KEY	AIR HORN PARTS		
1	7045671	7045671	*Gasket—Air Horn
2	7010432	7010432	Screw—Air Horn (Long)
3	7006119	7006119	Screw—Air Horn (Short)
5	7038630	7038630	Lever—Pump Inside
6	7041275	7041275	Pump Shaft & Lever Assembly
7	7011270	7011270	Screw—Pump Lever
—	7019568	7019568	Washer—Pump Lever
8	7046028	7046028	*Pump Assembly
10	7040958	7040958	Nut—Fuel Inlet Filter
11	7032508	7032508	*Gasket—Filter Nut
12	5651393	5651393	Filter—Fuel Inlet
14	7034356	7034356	Spring—Fuel Filter
15	17050543	7046712	Air Horn Assembly
20	7009054	7006323	Power Piston Assembly
21	7037512	7037512	Float Assembly
22	7002081	7002081	Pin—Float Hinge
23	7035132	7035132	*Needle & Seat Assembly
24	Kit Only	Kit Only	*Gasket—Needle Seat
			CHOKE PARTS
26	7040238	7040238	Vacuum Break Control & Brkt. Assembly
27	7040239	7040239	Link—Vacuum Break
29	7026339	7026339	Hose—Vacuum
30	7037570	7037570	Screw—Control Attaching (2)
31	7019709	7019709	Screw—Choke Lever
32	7040002	7040002	Stat Lever
33	7026239	7026239	Choke Lever
34	7033443	7033443	Choke Valve



1974 ROCHESTER CARBURETOR MODEL 2G—(Cont'd.)

350 CUBIC INCH ENGINE

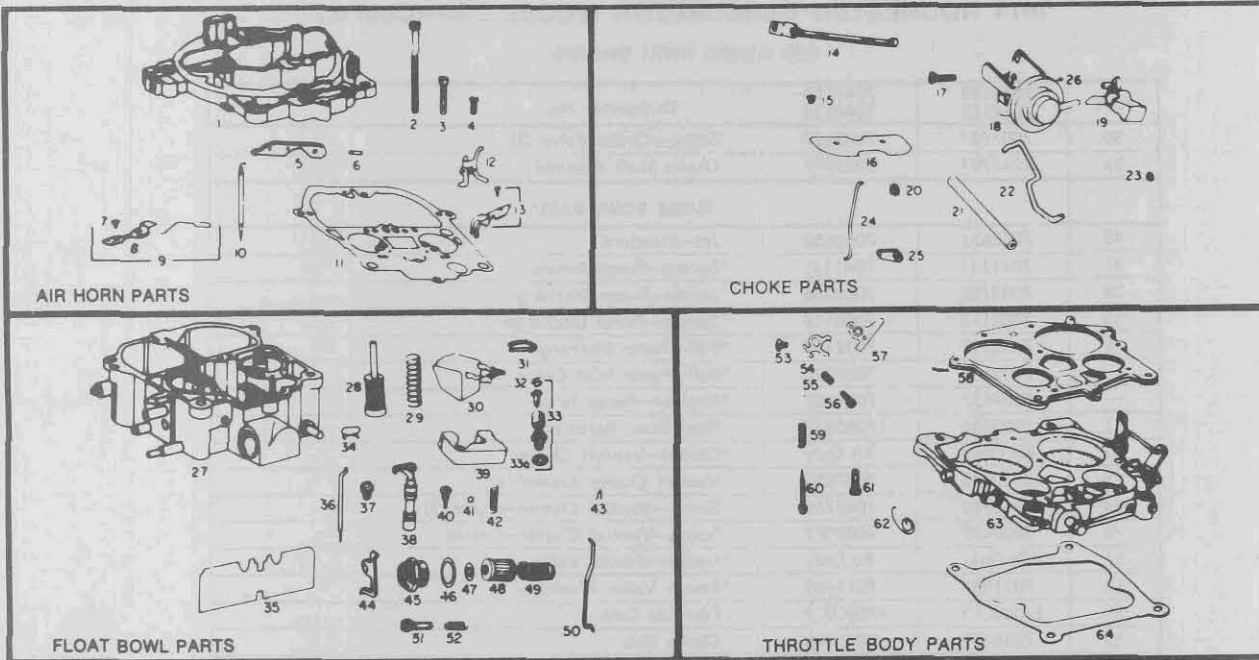
KEY	7044123 7044113	7044124 7044114	Carburetor No.
35	7007627	7007627	Screw—Choke Valve (2)
36	7047797	7047797	Choke Shaft Assembly
FLOAT BOWL PARTS			
48	7002651	7002650	Jet—Standard
37	7041141	7041141	*Spring—Pump Return
38	7002286	7002286	*Guide—Pump Discharge
39	7002118	7002118	*Spring—Pump Discharge
40	7002117	7002117	*Ball—Pump Discharge
—	7002120	7002120	*Ball—Pump Inlet Check
—	7004557	7004557	*Strainer—Pump Inlet
41	17050636	17050637	Float Bowl Assembly
42	Kit Only	Kit Only	*Gasket—Venturi Cluster
43	17050045	7047828	Venturi Cluster Assembly
44	7045762	7045762	Screw—Venturi Cluster—Outer (2)
45	7009077	7009077	Screw—Venturi Cluster—Centre
51	Kit Only	Kit Only	*Gasket—Power Valve
50	7011989	7011989	*Power Valve Assembly
53	17050019	17050019	Fast Idle Cam
52	7036186	7036186	Choke Rod
54	7036222	7036222	Screw—Cam Attaching
—	1997409	1997409	Solenoid—Idle Stop
—	7042818	7042818	Bracket Assembly—Solenoid
—	7042654	7042654	Nut—Solenoid Retaining
—	7042653	7042653	*Locking Washer—Solenoid Nut
—	7043682	7043682	Screw—Bracket Retaining
47	Kit Only	Kit Only	*Gasket—Center Screw
49	7040320	7040320	Insert—Main Well (2)
THROTTLE BODY PARTS			
55	Kit Only	Kit Only	*Gasket—Throttle Body
56	7015105	7015105	Screw—Throttle Body (3)
58	7041249	7041249	Pump Rod
59	7018186	7018186	*Clip—Pump Rod
60	7029427	7029427	Idle Stop Screw
—	7037131	7037131	Spring—Idle Stop Screw
61	17050535	17050536	Throttle Body Assembly
62	7044722	7044722	*Idle Needle (2)
63	7011479	7011479	Spring—Idle Needle (2)
64	336060	336060	*Insulator Flange

*Contained In Overhaul Kit



1974 ROCHESTER CARBURETOR MODEL 4MV

350 CUBIC INCH ENGINE — 4BC



PARTS SHOWN ARE FOR IDENTIFICATION ONLY. CONSULT PARTS LIST FOR CORRECT PART NAME AND NUMBER.

350 cu. in. 7044202	350 cu. in. 7044203	350 cu. in. 7044502	350 Cu. In. 7044503	Application Carburetor No.
17050578	17050579	17050580	17050581	Replacement Package No.
17050544	17050544	17050544	17050544	Overhaul Kit
7039268	7039268	7039268	7039268	Power Carburetor Kit
17050525	17050525	17050525	17050525	Gasket Set

KEY	AIR HORN PARTS				
1	7048938	7048938	7048938	7048938	Air Horn Assembly
11	7038841	7038841	7038841	7038841	*Gasket—Air Horn
5	7048169	7048169	7048169	7048169	Lever—Pump Actuating
6	9428787	9428787	9428787	9428787	*Roll Pin—Pump Lever Hinge
2	7029912	7029912	7029912	7029912	Screw—Air Horn (2)
3	7014699	7014699	7014699	7014699	Screw—Air Horn (5)
4	7031105	7031105	7031105	7031105	Screw—Air Horn (2)
10	7045779	7045779	7045779	7045779	Metering Rod—Secondary (2)
13	7034522	7034522	7034522	7034522	Secondary Metering Rod Holder Kit
—	7035344	7035344	7035344	7035344	Air Valve Spring & Cam Kit
—	—	—	—	—	Baffle—Air Horn
	CHOKE PARTS				
18	7048899	7048899	7048899	7048899	Vacuum Brake Control & Brkt. Assy.
26	7048206	7048206	7048206	7048206	Vacuum Brake Control Assembly
22	7024257	7024257	7024257	7024257	Rod—Vacuum Break
17	7031925	7031925	7031925	7031925	Screw—Control Attaching
19	7047876	7047876	7047876	7047876	Cam—Fast Idle
21	7026339	7026339	7026339	7026339	Hose—Vacuum
14	7038855	7038855	7038855	7038855	Choke Shaft and Lever Assy.
16	7036021	7036021	7036021	7036021	Choke Valve
15	7029866	7029866	7029866	7029866	Screw—Choke Valve (2)
25	7031231	7031231	7031231	7031231	Lever—Intermediate Choke
24	7037557	7037557	7037557	7037557	Rod—Choke
20	836159	836159	836159	836159	*Clip—Int. Choke Rod & Choke Rod
—	7024256	7024256	7024256	7024256	Rod—Intermediate Choke
27	17050520	17050541	17050542	17050542	Float Bowl Assembly



1974 ROCHESTER CARBURETOR MODEL 4MV—(Cont'd.)

350 CUBIC INCH ENGINE — 4BC

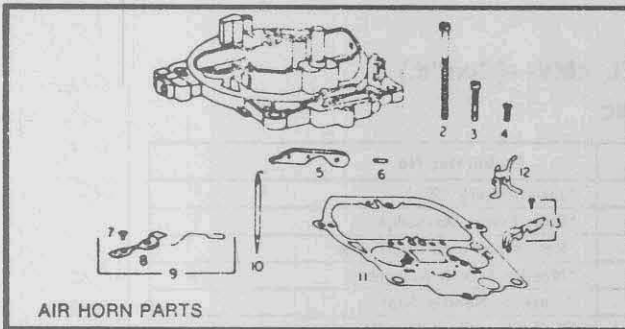
KEY	7044202	7044203	7044502	7044503	Carburetor No.
37	7031975	7031975	7031975	7031975	*Jet—Primary (2)
41	7002117	7002117	7002117	7002117	*Ball—Pump Discharge
40	7029849	7029849	7029849	7029849	Retainer—Pump Discharge
33	7035140	7035140	7035140	7035140	*Needle & Seat Assembly
33A	Kit Only	Kit Only	Kit Only	Kit Only	*Gasket—Needle Seat
32	7033751	7033751	7033751	7033751	*Pull Clip—Float Needle
30	7037705	7037705	7037705	7037705	Float Assembly
31	7037317	7037317	7037317	7037317	Hinge Pin—Float Assembly
38	7034903	7034903	7034903	7034903	Power Piston Assembly
42	7029529	7029529	7037851	7037851	Spring—Power Piston
36	7034846	7034846	7034846	7034846	*Metering Rod—Primary (2)
34	7029862	7029862	7029862	7029862	Spring—Metering Rod—Primary
45	7045605	7045605	7045605	7045605	Filter Nut—Fuel Inlet
46	7024281	7024281	7024281	7024281	*Gasket—Filter Nut
48	5651393	5651393	5651393	5651393	Filter—Fuel Inlet
49	7030588	7030588	7030588	7030588	Spring—Fuel Filter
52	7003176	7003176	7003176	7003176	Spring—Idle Stop Screw
51	7002121	7002121	7002121	7002121	Screw—Idle Stop
39	7037319	7037319	7037319	7037319	Insert—Float Bowl
35	7031365	7031365	7031365	7031365	Baffle—Float Bowl
29	7041169	7041169	7041169	7041169	*Spring—Pump Return
28	7047080	7047080	7047080	7047080	*Pump Assembly
50	7026138	7026138	7026138	7026138	Rod—Pump
44	7027270	7027270	7027270	7027270	Lever—Secondary Lockout
—	1997409	1997409	1997409	1997409	Solenoid Assembly—Idle Stop
—	7042682	7042682	7042682	7042682	Bracket—Solenoid
—	7042653	7042653	7042653	7042653	*Locking Washer—Retaining Nut
—	7042654	7042654	7042654	7042654	Nut—Solenoid Retaining
—	7043682	7043682	7043682	7043682	Screw—Solenoid Bracket
THROTTLE BODY PARTS					
63	17050570	17050571	17050572	17050573	Throttle Body Assembly
58	Kit Only	Kit Only	Kit Only	Kit Only	*Gasket—Throttle Body
61	7035790	7035790	7035790	7035790	Screw—Throttle Body (3)
60	7042457	7042457	7042457	7042457	*Idle Needle (2)
59	7011479	7011479	7011479	7011479	Spring—Idle Needle (2)
57	7043634	7043634	7043634	7043634	Lever—Cam Follower
62	7035772	7035772	7035772	7035772	Spring—Cam Lever
54	7030677	7030677	7030677	7030677	Lever—Fast Idle
53	7035523	7035523	7035523	7035523	Screw—Fast Idle Lever Attaching
56	7029899	7029899	7029899	7029899	Screw—Fast Idle Adjusting
55	7029900	7029900	7029900	7029900	Spring—Fast Idle Screw
64	354310	354310	354310	354310	*Insulator—Flange

*Contained In Overhaul Kit

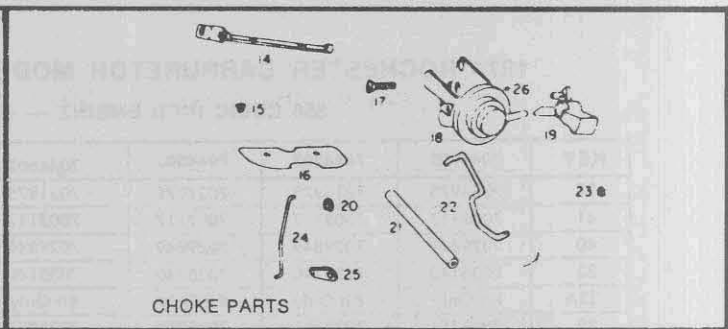


1974 ROCHESTER CARBURETOR MODEL 4MV

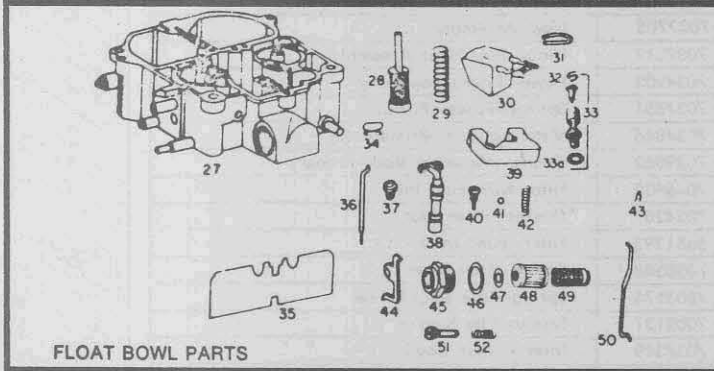
350 CUBIC INCH ENGINE — 4BC



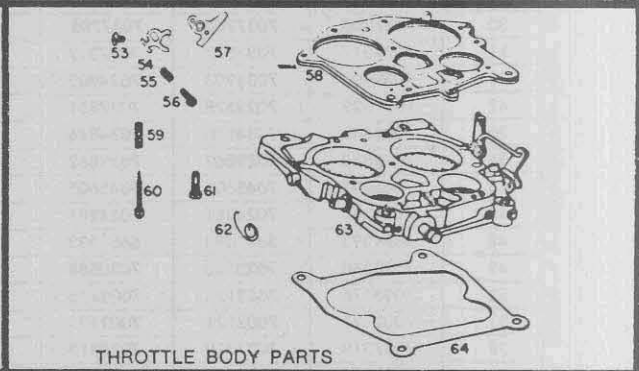
AIR HORN PARTS



CHOKE PARTS



FLOAT BOWL PARTS



THROTTLE BODY PARTS

PARTS SHOWN ARE FOR IDENTIFICATION ONLY. CONSULT PARTS LIST FOR CORRECT PART NAME AND NUMBER.

350 cu. in. 7044213	350 cu. in. 7044216	350 cu. in. 7044214	350 cu. in. 7044215	Application Carburetor No.
17050618	17050618	17050612	17050612	Replacement Package No.
17050619	17050619	17050613	17050613	Overhaul Kit
7039268	7039268	7039268	7039268	Power Carburetor Kit
17050525	17050525	17050525	17050525	Gasket Set

KEY	AIR HORN PARTS				
1	7048988	7048988	7048988	7048988	Air Horn Assembly
11	7038841	7038841	7038841	7038841	*Gasket—Air Horn
5	7048169	7048169	7048169	7048169	Lever—Pump Actuating
6	9428787	9428787	9428787	9428787	*Roll Pin—Pump Lever Hinge
2	7029912	7029912	7029912	7029912	Screw—Air Horn (2)
3	7014699	7014699	7014699	7014699	Screw—Air Horn (5)
4	7031105	7031105	7031105	7031105	Screw—Air Horn (2)
10	7045842	7045842	7045842	7045842	Metering Rod—Secondary (2)
13	7034522	7034522	7034522	7034522	Secondary Meter Rod Holder Kit
—	7035344	7035344	7035344	7035344	Air Valve Spring & Cam Kit
CHOKE PARTS					
18	7048899	7048899	7048899	7048899	Vacuum Break Control & Brkt. Assy.
26	7048206	7048206	7048206	7048206	Vacuum Break Control Assy.
22	7024257	7024257	7024257	7024257	Rod—Vacuum Break
17	7031925	7031925	7031925	7031925	Screw—Control Attaching
19	7047876	7047876	7047876	7047876	Cam—Fast Idle
21	7026339	7026339	7026339	7026339	Hose—Vacuum
14	7038855	7038855	7038855	7038855	Choke Shaft and Lever Assembly
16	7036021	7036021	7036021	7036021	Choke Valve
15	7029866	7029866	7029866	7029866	Screw—Choke Valve (2)
25	7031231	7031231	7031231	7031231	Lever—Intermediate Choke
24	7037557	7037557	7037557	7037557	Rod—Choke
20	836159	836159	836159	836159	*Clip Intermediate Choke Rod & Choke Rod
—	7024256	7024256	7024256	7024256	Rod—Intermediate Choke



1974 ROCHESTER CARBURETOR MODEL 4MV—(Cont'd.)

350 CUBIC INCH ENGINE — 4BC

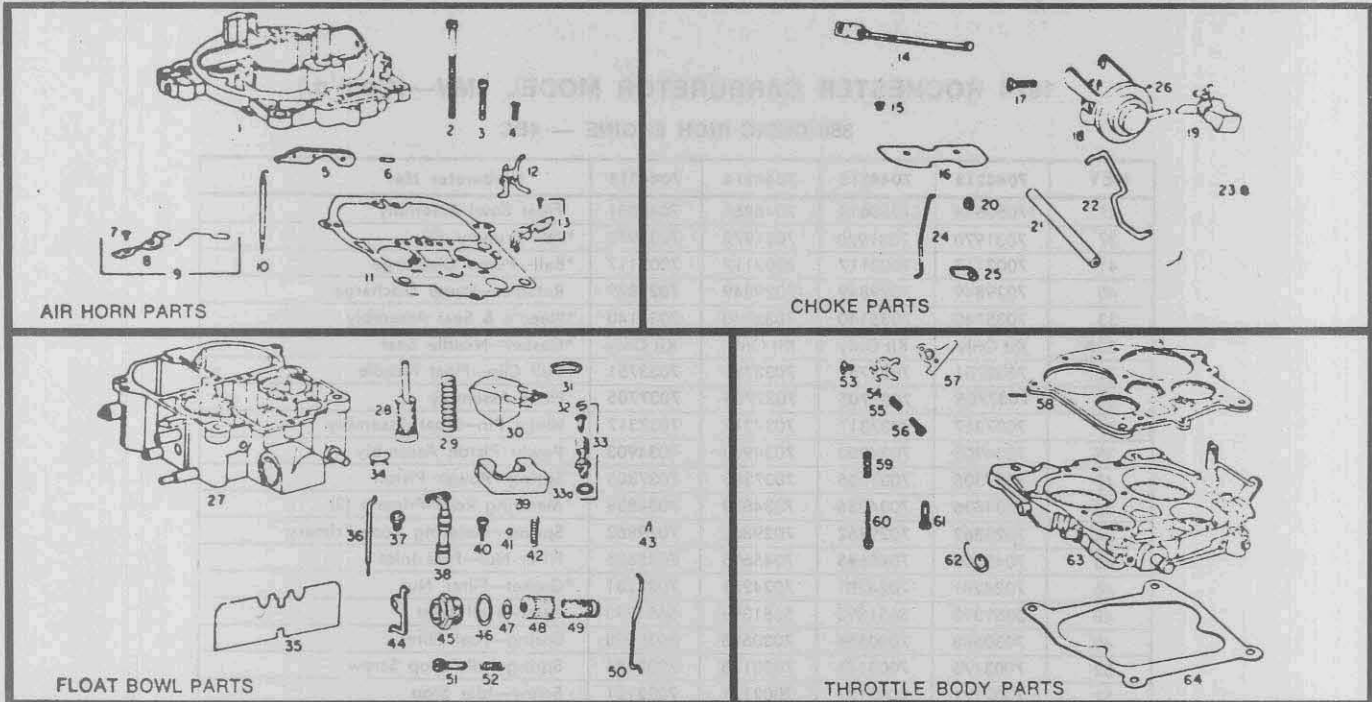
KEY	7044213	7044216	7044214	7044215	Carburetor No.
27	17050614	17050614	7046861	7046861	Float Bowl Assembly
37	7031970	7031970	7031972	7031972	*Jet—Primary (2)
41	7002117	7002117	7002117	7002117	*Ball—Pump Discharge
40	7029849	7029849	7029849	7029849	Retainer—Pump Discharge
33	7035140	7035140	7035140	7035140	*Needle & Seat Assembly
33A	Kit Only	Kit Only	Kit Only	Kit Only	*Gasket—Needle Seat
32	7033751	7033751	7033751	7033751	*Pull Clip—Float Needle
30	7037705	7037705	7037705	7037705	Float Assembly
31	7037317	7037317	7037317	7037317	Hinge Pin—Float Assembly
38	7034903	7034903	7034903	7034903	Power Piston Assembly
42	7037305	7037305	7037305	7037305	Spring—Power Piston
36	7034836	7034836	7034839	7034839	*Metering Rod—Primary (2)
34	7029862	7029862	7029862	7029862	Spring—Metering Rod—Primary
45	7045605	7045605	7045605	7045605	Filter Nut—Fuel Inlet
46	7024281	7024281	7024281	7024281	*Gasket—Filter Nut
48	5651393	5651393	5651393	5651393	Filter—Fuel Inlet
49	7030588	7030588	7030588	7030588	Spring—Fuel Filter
52	7003176	7003176	7003176	7003176	Spring—Idle Stop Screw
51	7002121	7002121	7002121	7002121	Screw—Idle Stop
39	7037319	7037319	7037319	7037319	Insert—Float Bowl
35	7031365	7031365	7031365	7031365	Baffle—Float Bowl
29	7041169	7041169	7041169	7041169	*Spring—Pump Return
28	7047080	7047080	7047080	7047080	*Pump Assembly
50	7026138	7026138	7026138	7026138	Rod—Pump
44	7027270	7027270	7027270	7027270	Lever—Secondary Lockout
THROTTLE BODY PARTS					
63	17050616	17050616	17050610	17050610	Throttle Body Assembly
58	Kit Only	Kit Only	Kit Only	Kit Only	*Gasket—Throttle Body
61	7035790	7035790	7035790	7035790	Screw—Throttle Body (3)
60	7042458	7042458	7042458	7042458	*Idle Needle (2)
59	7011479	7011479	7011479	7011479	Spring—Idle Needle (2)
57	7043634	7043634	7043634	7043634	Lever—Cam Follower
62	7035772	7035772	7035772	7035772	Spring—Cam Lever
54	7030677	7030677	7030677	7030677	Lever—Fast Idle
53	7035523	7035523	7035523	7035523	Screw—Fast Idle Lever Attaching
56	7029899	7029899	7029899	7029899	Screw—Fast Idle Adjusting
55	7029900	7029900	7029900	7029900	Spring—Fast Idle Screw
64	354310	354310	354310	354310	*Insulator—Flange

* Contained In Overhaul Kit



1974 ROCHESTER CARBURETOR MODEL 4MV

350 CUBIC INCH ENGINE — 4BC



PARTS SHOWN ARE FOR IDENTIFICATION ONLY. CONSULT PARTS LIST FOR CORRECT PART NAME AND NUMBER.

350 cu. in. 7044218	350 cu. in. 7044219	350 cu. in. 7044224	Application Carburetor No.
7047408	7047409	17050626	Replacement Package No.
17050544	17050545	17050545	Overhaul Kit
7039268	7039268	7039268	Power Carburetor Kit
17050525	17050525	17050525	Gasket Set

KEY	AIR HORN PARTS			
1	7048938	7048938	7048938	Air Horn Assembly
11	7038841	7038841	7038841	*Gasket—Air Horn
5	7048169	7048169	7048169	Lever—Pump Actuating
6	9428787	9428787	9428787	*Roll Pin—Pump Lever Hinge
2	7029912	7029912	7029912	Screw—Air Horn (2)
3	7014699	7014699	7014699	Screw—Air Horn (5)
4	7031105	7031105	7031105	Screw—Air Horn (2)
10	7045779	7045779	7045779	Metering Rod—Secondary (2)
13	7034522	7034522	7034522	Secondary Metering Rod Holder Kit
—	7035344	7035344	7035344	Air Valve Spring & Cam Kit
CHOKE PARTS				
18	7048899	7048899	7048899	Vacuum Break Control & Bracket Assembly
26	7048206	7048206	7048206	Vacuum Break Control Assembly
22	7024257	7024257	7024257	Rod—Vacuum Break
17	7031925	7031925	7031925	Screw—Control Attaching
19	7047876	7047876	7047876	Cam—Fast Idle
21	7026339	7026339	7026339	Hose—Vacuum
14	7038855	7038855	7038855	Choke Shaft & Lever Assembly
16	7036021	7036021	7036021	Choke Valve
15	7029866	7029866	7029866	Screw—Choke Valve (2)
25	7031231	7031231	7031231	Lever—Intermediate Choke
24	7037557	7037557	7037557	Rod—Choke
20	836159	836159	836159	*Clip—Intermediate Choke Rod & Choke Rod
—	7024256	7024256	7024256	Rod—Intermediate Choke



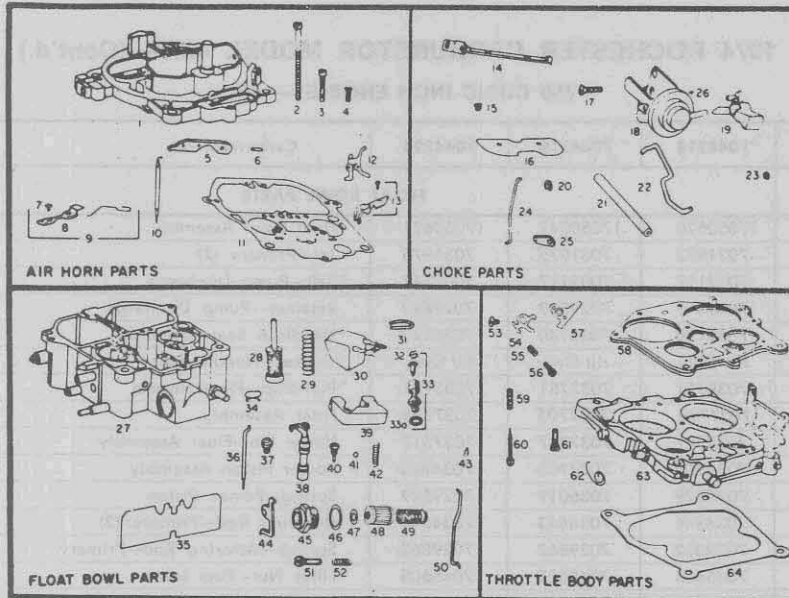
1974 ROCHESTER CARBURETOR MODEL 4MV—(Cont'd.)
350 CUBIC INCH ENGINE — 4BC

KEY	7044218	7044219	7044224	Carburetor No.
FLOAT BOWL PARTS				
27	17050520	17050541	17050621	Float Bowl Assembly
37	7031975	7031975	7031975	*Jet—Primary (2)
41	7002117	7002117	7002117	*Ball—Pump Discharge
40	7029849	7029849	7029849	Retainer—Pump Discharge
33	7035140	7035140	7035140	*Needle & Seat Assembly
33A	Kit Only	Kit Only	Kit Only	*Gasket—Needle Seat
32	7033751	7033751	7033751	*Pull Clip—Float Needle
30	7037705	7037705	7037705	Float Assembly
31	7037317	7037317	7037317	Hinge Pin—Float Assembly
38	7034903	7034903	7034903	Power Piston Assembly
42	7029529	7036019	7029529	Spring—Power Piston
36	7034846	7034843	7034846	*Metering Rod—Primary (2)
34	7029862	7029862	7029862	Spring—Metering Rod—Primary
45	7045605	7045605	7045605	Filter Nut—Fuel Inlet
46	7024281	7024281	7024281	*Gasket—Filter Nut
48	5651393	5651393	5651393	Filter—Fuel Inlet
49	7030588	7030588	7030588	Spring—Fuel Filter
52	7003176	7003176	7003176	Spring—Idle Stop Screw
51	7002121	7002121	7002121	Screw—Idle Stop
39	7037319	7037319	7037319	Insert—Float Bowl
35	7031365	7031365	7031365	Baffle—Float Bowl
29	7041169	7041169	7041169	*Spring—Pump Return
28	7047080	7047080	7047080	*Pump Assembly
50	7026138	7026138	7026138	Rod—Pump
44	7027270	7027270	7027270	Lever—Secondary Lockout
—	1997409	1997409	1997437	Solenoid Assembly—Idle Stop
—	7042682	7042682	7042682	Bracket—Solenoid
—	7042653	7042653	7042653	*Locking Washer—Retaining Nut
—	7042654	7042654	7042654	Nut—Solenoid Retaining
—	7043682	7043682	7043682	Screw—Solenoid Bracket
THROTTLE BODY PARTS				
63	17050547	17050548	17050547	Throttle Body Assembly
58	Kit Only	Kit Only	Kit Only	*Gasket—Throttle Body
61	7035790	7035790	7035790	Screw—Throttle Body (3)
60	7042457	7042457	7042457	*Idle Needle (2)
59	7011479	7011479	7011479	Spring—Idle Needle
57	7043634	7043634	7043634	Lever—Cam Follower
62	7035772	7035772	7035772	Spring—Cam Lever
54	7030677	7030677	7030677	Lever—Fast Idle
53	7035523	7035523	7035523	Screw—Fast Idle Lever Attaching
56	7029899	7029899	7029899	Screw—Fast Idle Adjusting
55	7029900	7029900	7029900	Spring—Fast Idle Screw
64	354310	354310	354310	*Insulator—Flange

*Contained In Overhaul Kit



1974 ROCHESTER CARBURETOR MODEL 4MV
454 CUBIC INCH ENGINE — 4BC



PARTS SHOWN ARE FOR IDENTIFICATION ONLY. CONSULT PARTS LIST FOR CORRECT PART NAME AND NUMBER.

454 cu. in. 7044212	454 cu. in. 7044217	454 cu. in. 7044223	454 cu. in. 7044227	Application Carburetor No.
17050606	17050606	7047403	17050598	Replacement Package No.
17050607	17050607	17050563	17050595	Overhaul Kit
7039268	7039268	7039268	7039268	Power Carburetor Kit
17050525	17050525	17050525	17050525	Gasket Set

KEY	AIR HORN PARTS				
1	7048880	7048880	7048880	7048880	Air Horn Assembly
11	7038841	7038841	7038841	7038841	*Gasket—Air Horn
5	7048169	7048169	7048169	7048169	Lever—Pump Actuating
6	9428787	9428787	9428787	9428787	*Roll Pin—Pump Lever Hinge
2	7029912	7029912	7029912	7029912	Screw—Air Horn (2)
3	7014699	7014699	7014699	7014699	Screw—Air Horn (5)
4	7031105	7031105	7031105	7031105	Screw—Air Horn (2)
10	7048992	7048992	7048992	7048992	Metering Rod—Secondary (2)
13	7034522	7034522	7034522	7034522	Secondary Metering Rod Holder
—	7035344	7035344	7035344	7035344	Air Valve Spring & Cam Kit
	CHOKE PARTS				
18	7048884	7048884	7048884	7048884	Vacuum Break Control & Brkt. Assembly
26	7048200	7048200	7048200	7048200	Vacuum Break Control Assembly
22	7024257	7024257	7024257	7024257	Rod—Vacuum Break
17	7031925	7031925	7031925	7031925	Screw—Control Attaching
19	7047378	7047378	7047378	7047378	Cam—Fast Idle
21	7026339	7026339	7026339	7026339	Hose—Vacuum
14	7047614	7047614	7047614	7047614	Choke Shaft & Lever Assembly
16	7036021	7036021	7036021	7036021	Choke Valve
15	7029866	7029866	7029866	7029866	Screw—Choke Valve (2)
25	7031231	7031231	7031231	7031231	Lever—Intermediate Choke
24	7037557	7037557	7037557	7037557	Rod—Choke
20	836159	836159	836159	836159	*Clip Intermediate Choke Rod & Choke Rod
—	7041178	7041178	7041178	7041178	Rod—Intermediate Choke
	FLOAT BOWL PARTS				
27	7046854	7046854	17050521	17050521	Float Bowl Assembly
37	7031969	7031969	7031975	7031974	*Jet—Primary (2)
41	7002117	7002117	7002117	7002117	*Ball—Pump Discharge
40	7029849	7029849	7029849	7029849	Retainer—Pump Discharge



1974 ROCHESTER CARBURETOR MODEL 4MV—(Cont'd.)

454 CUBIC INCH ENGINE — 4BC

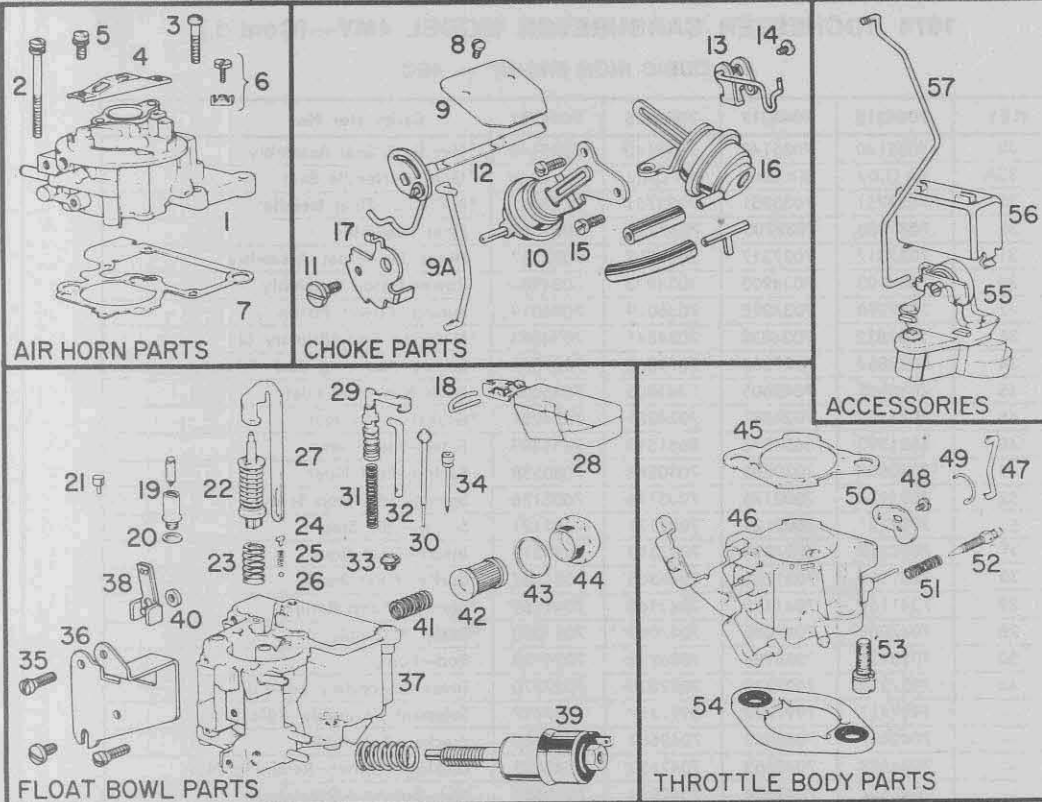
KEY	7044212	7044217	7044223	7044227	Carburetor No.
33	7035140	7035140	7035140	7035140	*Needle & Seat Assembly
33A	Kit Only	Kit Only	Kit Only	Kit Only	*Gasket—Needle Seat
32	7033751	7033751	7033751	7033751	*Pull Clip—Float Needle
30	7037705	7037705	7037705	7037705	Float Assembly
31	7037317	7037317	7037317	7037317	Hinge Pin—Float Assembly
38	7034903	7034903	7034903	7034903	Power Piston Assembly
42	7037298	7037298	7036019	7036019	Spring—Power Piston
36	7034832	7034832	7034841	7034837	*Metering Rod—Primary (2)
34	7029862	7029862	7029862	7029862	Spring—Metering Rod—Primary
45	7045605	7045605	7045605	7045605	Filter Nut—Fuel Inlet
46	7024281	7024281	7024281	7024281	*Gasket—Filter Nut
48	5651393	5651393	5651393	5651393	Filter—Fuel Inlet
49	7030588	7030588	7030588	7030588	Spring—Fuel Filter
52	7003176	7003176	7003176	7003176	Spring—Idle Stop Screw
51	7002121	7002121	7002121	7002121	Screw—Idle Stop
39	7037319	7037319	7037319	7037319	Insert—Float Bowl
35	7031365	7031365	7031365	7031365	Baffle—Float Bowl
29	7041169	7041169	7041169	7041169	*Spring—Pump Return
28	7047080	7047080	7047080	7047080	Pump Assembly
50	7026138	7026138	7026138	7026138	Rod—Pump
44	7027270	7027270	7027270	7027270	Lever—Secondary Lockout
—	1997417	1997417	1997417	1997417	Solenoid Assembly—Idle Stop
—	7042682	7042682	7042682	7042682	Bracket—Solenoid
—	7042653	7042653	7042653	7042653	*Locking Washer—Retaining Nut
—	7042654	7042654	7042654	7042654	Nut—Solenoid Retaining
—	7043682	7043682	7043682	7043682	Screw—Solenoid Bracket
THROTTLE BODY PARTS					
63	17050602	17050602	17050558	17050635	Throttle Body Assembly
58	Kit Only	Kit Only	Kit Only	Kit Only	*Gasket—Throttle Body
61	7035790	7035790	7035790	7035790	Screw—Throttle Body (3)
60	7042457	7042457	7042457	7042457	*Idle Needle (2)
59	7011479	7011479	7011479	7011479	Spring—Idle Needle (2)
57	7043634	7043634	7043634	7043634	Lever—Cam Follower
62	7035772	7035772	7035772	7035772	Spring—Cam Lever
54	7030677	7030677	7030677	7030677	Lever—Fast Idle
53	7035523	7035523	7035523	7035523	Screw—Fast Idle Lever Attaching
56	7029899	7029899	7029899	7029899	Screw—Fast Idle Adjusting
55	7029900	7029900	7029900	7029900	Spring—Fast Idle Screw
64	354310	354310	354310	354310	*Insulator—Flange

*Contained In Overhaul Kit



1975 ROCHESTER CARBURETOR MODEL MV
250 6 CYLINDER

PARTS SHOWN ARE FOR IDENTIFICATION ONLY. CONSULT PARTS LIST FOR CORRECT PART NAME AND NUMBER



PARTS IN ALL COLUMNS SAME – EXCEPT WHERE INDICATED

	250 CU. IN.	250 CU. IN.	250 CU. IN.	APPLICATION
	7045003	7045010	7045303	CARBURETOR No.
	17052543	17052764	17052547	REPLACEMENT PACKAGE No.
	17052656	17051891	17051891	OVERHAUL KIT
	7039248			POWER CARBURETOR KIT
	7046679			GASKET SET
Illus. No	AIR HORN PARTS			
1	17051471			Air Horn Assembly
2	7043089			Screw—Air Horn (Long)
3	7030917			Screw—Air Horn (Short)
4	17050843			Bracket—Air Cleaner Stud
5	7042813			Screw—Bracket Attaching
6	—			Idle Vent Valve Kit
7	7035166			Gasket—Air Horn
	CHOKE PARTS			
8	7020926			Screw—Choke Valve
9	17052251			Choke Valve
9A	7049881			Link—Vacuum Break Sec.
10	7043127			Vac. Break Controls Sec.
11	7003561			Screw—Cam Attaching
12	7049880			Choke Shaft Lever & Link Assy.
13	17051769			Choke Lever & Link Assy.
14	7019709			Screw—Choke Lever
15	7043095			Screw—Vac. Break Bracket
16	17052250			Vacuum Break Control Assembly Pri.
—	7026339			Hose Vac. Break
17	17052358			Cam—Fast Idle



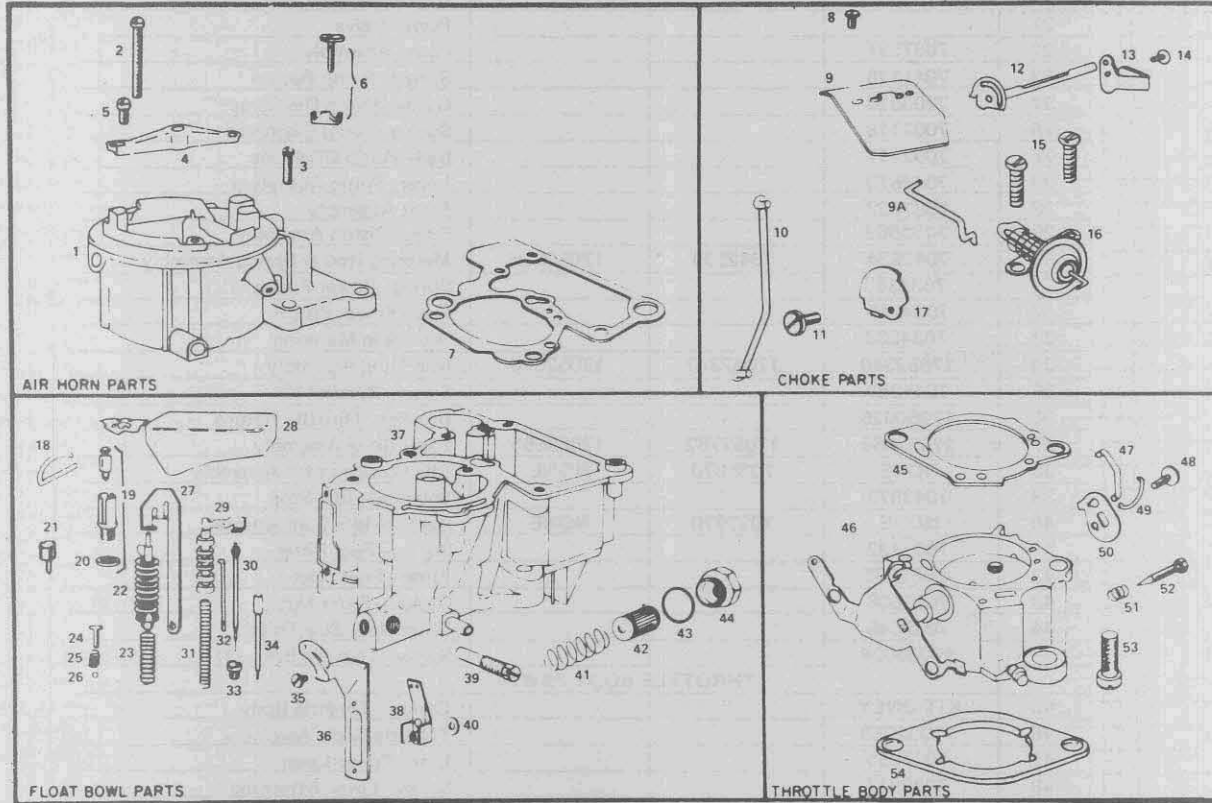
CHEV-GMC TRUCK
PARTS CATALOGUE

	7045003	7045010	7045303	CARBURETOR No.
Illus. No.	FLOAT BOWL PARTS			
18	7034032			Hinge Pin—Float
19	7035133			Needle and Seat Assembly
20	KIT ONLY			Gasket—Needle Seat
21	—			Power Valve
22	7037597			Pump Assembly
23	7041176			Spring—Pump Return
24	7003838			Guide—Pump Discharge
25	7002118			Spring—Pump Discharge
26	7002117			Ball—Pump Discharge
27	7042670			Lever—Pump Actuating
28	7037022			Float Assembly
29	7035889			Power Piston Assembly
30	7042534	7042534	17053016	Metering Rod & Spring Assembly
31	7034360			Spring—Power Piston
32	7024215			Rod—Power Piston
33	7034203			Jet—Main Metering
34	17052340	17052347	17052344	Idle Tube Assembly
35	7041287			Screw—Bracket (2)
36	17050025			Bracket—Throttle Return
37	17052655	17052762	17052655	Float Bowl Assembly
38	NONE	7035870	NONE	Idle Compensator Assembly
39	7043575			Solenoid—Idle Stop
40	NONE	7027970	NONE	Gasket—Idle Compensator
41	7032732			Spring—Fuel Filter
42	5651393			Filter—Fuel Inlet
43	7032508			Gasket—Filter Nut
44	7038946			Filter Nut—Fuel Inlet
—	17050024			Screw—Throttle Brkt. (1)
	THROTTLE BODY PARTS			
45	KIT ONLY			Gasket—Throttle Body
46	17052058			Throttle Body Assembly
47	7037855			Link—Pump Lever
48	7030917			Screw—Lever Attaching
49	7024214	7024214	7035267	Link—Power Piston Rod
50	7024216			Lever—Pump and Power Rods
51	7038989			Spring—Idle Needle
52	7048964			Idle Needle
53	7043087			Screw—Throttle Body
54	333977			Insulator—Flange
	ACCESSORIES			
55	17052651			Man. Fold Stat Coil Assy.
56	17051424			Cover Manifold Stat Coil
57	7043516			Link—Manifold Stat Coil



1975 ROCHESTER CARBURETOR MODEL MV
250 AND 292 6 CYLINDER

PARTS SHOWN ARE FOR IDENTIFICATION ONLY. CONSULT PARTS LIST FOR CORRECT PART NAME AND NUMBER



PARTS IN ALL COLUMNS SAME – EXCEPT WHERE INDICATED

	250 CU. IN.	292 CU. IN.	APPLICATION
	7044025	7044026	CARBURETOR No.
	7047425	7047426	REPLACEMENT PACKAGE No.
	7046678	7046694	OVERHAUL KIT
	7039248		POWER CARBURETOR KIT
	7046679		GASKET SET
Illus. No.	AIR HORN PARTS		
1	7049917		Air Horn Assembly
2	7038912		Screw—Air Horn (Long)
3	7030917		Screw—Air Horn (Short)
4	7037773		Bracket—Air Cleaner Stud
5	7038913		Screw—Bracket Attaching
6	—		Idle Vent Valve Kit
7	7035166		Gasket—Air Horn
	CHOKE PARTS		
8	7020926		Screw—Choke Valve
9	7049918		Choke Valve
9A	7035206	7035207	Link—Vacuum Break
10	7037000		Choke Rod
11	7003561		Screw—Cam Attaching
12	7028175		Choke Shaft and Lever
13	7030719		Choke Lever
14	7019709		Screw—Choke Lever
15	7030917		Screw—Vac. Break Bracket
16	17050374		Vacuum Break Control Assembly
17	7048771	7048772	Cam—Fast Idle



CHEV-GMC TRUCK
PARTS CATALOGUE

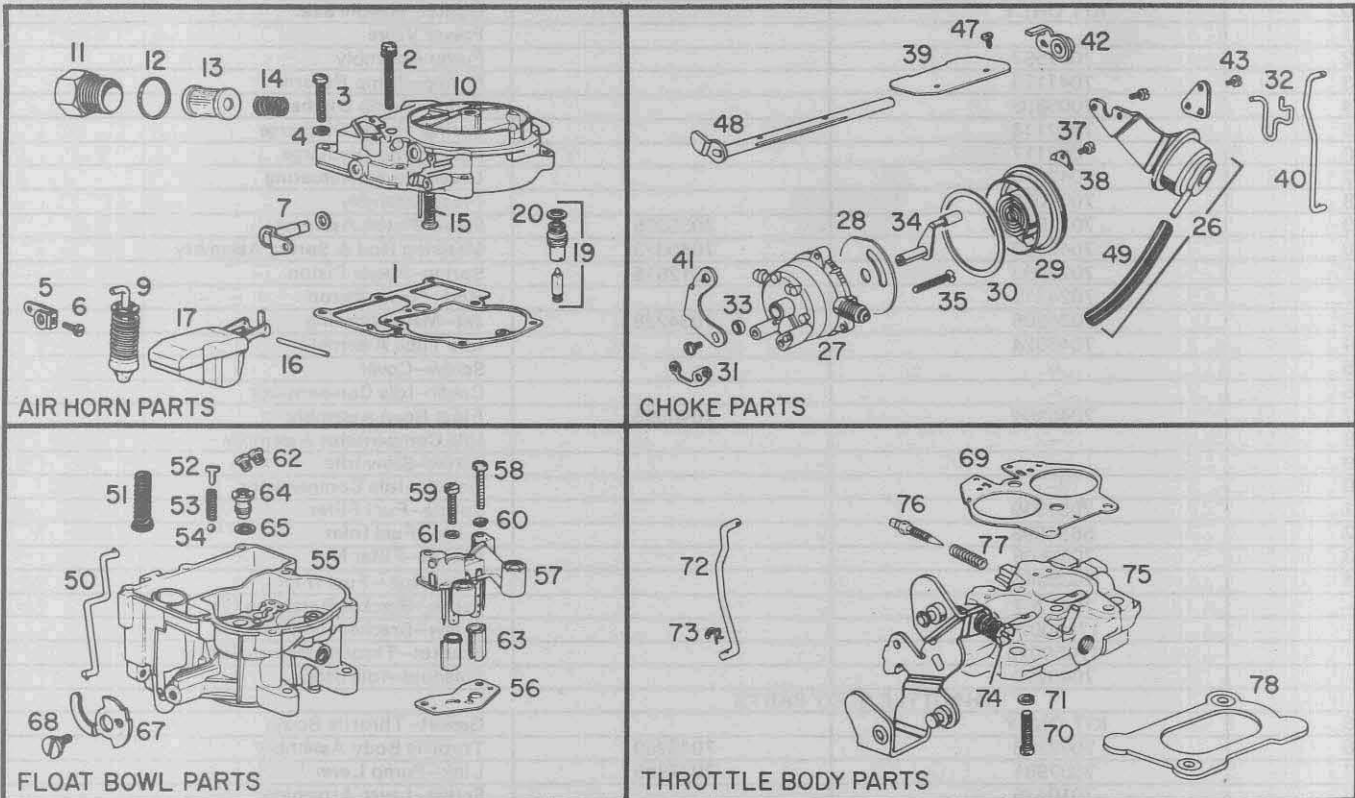
Illus. No.	7044025	7044026	CARBURETOR No.
	FLOAT BOWL PARTS		
18	7034032		Hinge Pin—Float
19	7035133		Needle and Seat Assembly
20	KIT ONLY		Gasket—Needle Seat
21	—		Power Valve
22	7037597		Pump Assembly
23	7041176		Spring—Pump Return
24	7003838		Guide—Pump Discharge
25	7002118		Spring—Pump Discharge
26	7002117		Ball—Pump Discharge
27	7042670		Lever—Pump Actuating
28	7037022		Float Assembly
29	7037804	7035295	Power Piston Assembly
30	7040630	7040673	Metering Rod & Spring Assembly
31	7023993	7012515	Spring—Power Piston
32	7024215		Rod—Power Piston
33	7034206	7034228	Jet—Main Metering
34	7046024		Idle Tube Assembly
35	—		Screw—Cover
36	—		Cover—Idle Compensator
37	7046994	7046995	Float Bowl Assembly
38	—		Idle Compensator Assembly
39	—		Screw—Slow Idle
40	—		Gasket—Idle Compensator
41	7031539		Spring—Fuel Filter
42	5651393		Filter—Fuel Inlet
43	7032508		Gasket—Filter Nut
44	7038946		Filter Nut—Fuel Inlet
—	7041267		Screw—Bracket Retaining (2)
—	17050024		Screw—Bracket Retaining (1)
—	17050025		Bracket—Throttle Return Spring
—	7040219		Solenoid—Idle Stop
	THROTTLE BODY PARTS		
45	KIT ONLY		Gasket—Throttle Body
46	7048268	7048269	Throttle Body Assembly
47	7037981	7037855	Link—Pump Lever
48	7010435		Screw—Lever Attaching
49	7024214		Link—Power Piston Rod
50	7024216		Lever—Pump and Power Rods
51	7038989		Spring—Idle Needle
52	7042427		Idle Needle
53	7038875		Screw—Throttle body
54	333977		Insulator—Flange



CHEV-GMC TRUCK
PARTS CATALOGUE

1975 ROCHESTER CARBURETOR MODEL 2GC
350 V-8 2BC

PARTS SHOWN ARE FOR IDENTIFICATION ONLY. CONSULT PARTS LIST FOR CORRECT PART NAME AND NUMBER



PARTS IN ALL COLUMNS SAME - EXCEPT WHERE INDICATED

	350 CU. IN.	350 CU. IN.	APPLICATION
	7045110	7045128	CARBURETOR No.
	17052800		REPLACEMENT PKG No.
	17052658		OVERHAUL KIT
	7039282		POWER CARBURETOR KIT
	17052657		GASKET SET
Illus. No.	AIR HORN PARTS		
1	7045671		Gasket-Air Horn
2	7010432		Screw-Air Horn-Long
3	7006119		Screw-Air Horn-Short
4	120217		Lockwasher-Air Horn Screw
5	7032377		Pump Lever-Inside
6	7011270		Screw-Pump Lever
7	17050230		Pump Shaft & Lever Kit
-	7019568		Washer-Pump Shaft
8	-	-	Clip-Pump
9	7046028		Pump Assembly
10	17052652		Air Horn Assembly
11	7040955		Filter Nut-Fuel Inlet
12	7032508		Gasket-Filter Nut
13	5651393		Filter-Fuel Inlet
14	7034356		Spring-Fuel Inlet Filter
15	7009718		Power Piston Assembly
16	7002081		Pin-Float Hinge
17	7037512		Float Assembly
18	-	-	Pull Clip-Float Needle
19	7035132		Needle & Seat Assy.
20	KIT ONLY		Gasket-Needle Seat
21	-		Shield-Idle Vent

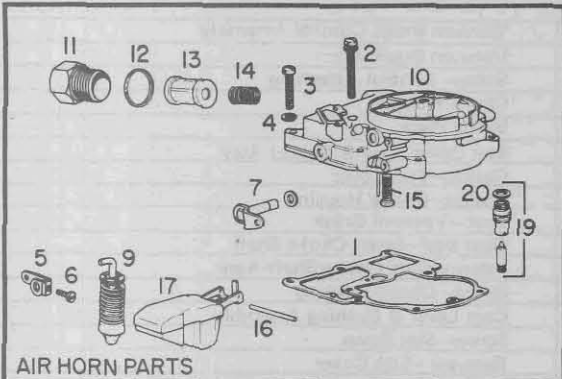


CHEV-GMC TRUCK
PARTS CATALOGUE

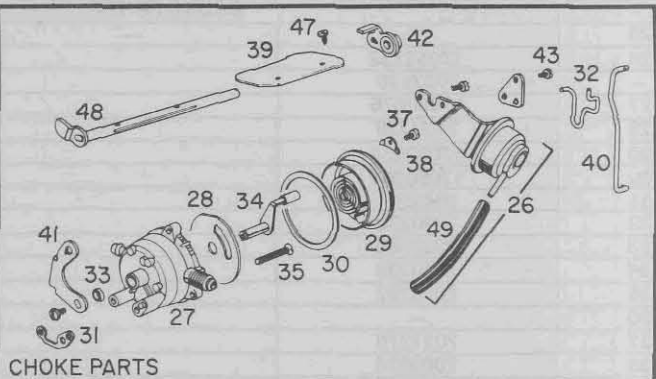
Illus. No.	7045110	7045128	CARBURETOR No.
AIR HORN PARTS (Continued)			
22	—	—	Idle Vent Valve Kit
23	—	—	Screw—Idle Vent Valve
24	—	—	Idle Vent Valve
CHOKE PARTS			
25	—	—	Vacuum Break Control Assembly
26	17052732	—	Vacuum Break Kit
—	7037570	—	Screw—Control Attaching
27	17050876	—	Choke Housing
28	7037239	—	Baffle Plate
29	17052654	—	Stat Cover, Coil & Gasket Assy.
30	17050961	—	Gasket—Stat Cover
31	7043291	—	Gasket—Choke Housing
32	7040239	—	Link—Vacuum Break
33	7037569	—	Dust Seal—Inter. Choke Shaft
34	7043289	—	Intermediate Choke Shaft Assy.
35	7043292	—	Screw—Choke Housing
36	—	—	Cam Lever & Bushing Assembly
37	7011270	—	Screw—Stat Cover
38	7000614	—	Retainer—Stat Cover
39	7033443	—	Choke Valve
40	17050270	—	Intermediate Choke Rod
41	17050266	—	Intermediate Choke Lever
42	17050766	—	Lever Choke
43	7019709	—	Screw—Choke Levers
44	—	—	
45	—	—	
46	—	—	Washer—Cam
47	7007627	—	Screw—Choke Valve
48	7047797	—	Choke Shaft Assy.
49	7026339	—	Hose—Vacuum
50	7043370	—	Choke Rod
FLOAT BOWL PARTS			
51	7041141	—	Spring—Pump Return
—	7002120	—	Ball—Pump Inlet Check
—	—	—	Strainer—Pump Inlet
52	7000286	—	Guide—Pump Discharge
53	7002118	—	Spring—Pump Discharge
54	7002117	—	Ball—Pump Discharge
55	17052653	—	Float Bowl Assembly
56	KIT ONLY	—	Gasket—Venturi Cluster
57	17051435	—	Venturi Cluster Assembly
58	7045762	7045765	Screw—Venturi Cluster—Outer
59	7009077	—	Screw—Cluster—Center
60	120217	—	Lockwasher—Outer Screws
61	KIT ONLY	—	Gasket—Center Screw
62	7002650	—	Jet—Standard (See Note)
63	7040320	—	Insert—Main Well
64	7011989	—	Power Valve Assembly
65	KIT ONLY	—	Gasket—Power Valve
66	—	—	
67	7043369	—	Cam—Fast Idle
68	7003561	—	Screw—Cam Attaching
—	—	—	
—	—	—	
—	—	—	
THROTTLE BODY PARTS			
69	KIT ONLY	—	Gasket—Throttle Body
70	7015105	—	Screw—Throttle Body
71	121744	—	Lockwasher—Throttle Body Screws
72	17050277	—	Pump Rod
73	7018186	—	Clip—Pump Rod
74	7029427	—	Idle Stop Screw
—	7037131	—	Spring—Idle Stop Screw
75	17052799	—	Throttle Body Assembly
76	7048860	—	Idle Needle
77	7011479	—	Spring—Idle Needle
78	336060	—	Insulator—Flange

**1975 ROCHESTER CARBURETOR MODEL 2GC
350 V-8 2BC**

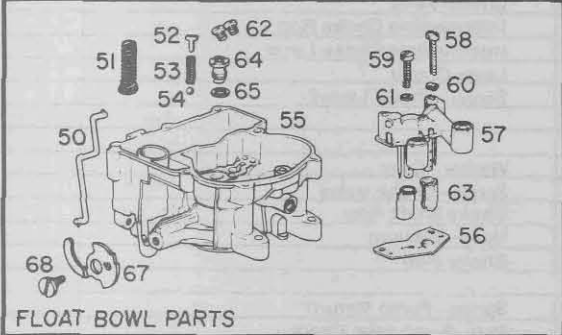
PARTS SHOWN ARE FOR IDENTIFICATION ONLY. CONSULT PARTS LIST FOR CORRECT PART NAME AND NUMBER



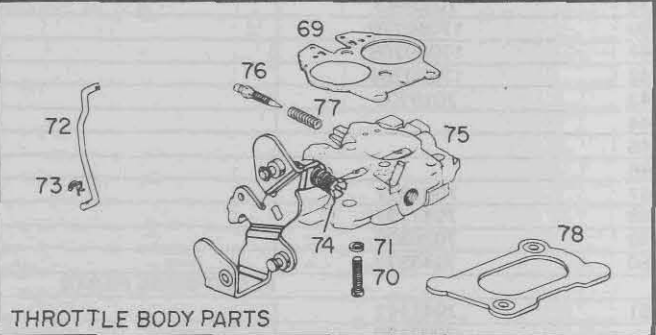
AIR HORN PARTS



CHOKE PARTS



FLOAT BOWL PARTS



THROTTLE BODY PARTS

PARTS IN ALL COLUMNS SAME – EXCEPT WHERE INDICATED

	350 CU. IN.	350 CU. IN.	350 CU. IN.	350 CU. IN.	APPLICATION
	7045115	7045116	7045123	7045124	CARBURETOR No.
	7047505	7047506	7047505	7047506	REPLACEMENT PKG. No.
	17052658				OVERHAUL KIT
	7039282				POWER CARBURETOR KIT
	17052657				GASKET SET
Illus. No.	AIR HORN PARTS				
1	7045671				Gasket—Air Horn
2	7010432				Screw—Air Horn—Long
3	7006119				Screw—Air Horn—Short
4	120217				Lockwasher—Air Horn Screw
5	7032377				Pump Lever—Inside
6	7011270				Screw—Pump Lever
7	17050230				Pump Shaft & Lever Kit
—	7019568				Washer—Pump Shaft
8	—	—	—	—	Clip—Pump
9	7046028				Pump Assembly
10	17052652				Air Horn Assembly
11	7040955				Filter Nut—Fuel Inlet
12	7032508				Gasket—Filter Nut
13	5651393				Filter—Fuel Inlet
14	7034356				Spring—Fuel Inlet Filter
15	7009718				Power Piston Assembly
16	7002081				Pin—Float Hinge
17	7037512				Float Assembly
18	—	—	—	—	Pull Clip—Float Needle
19	7035132				Needle & Seat Assy.
20	KIT ONLY				Gasket—Needle Seat
21	—	—	—	—	Shield—Idle Vent



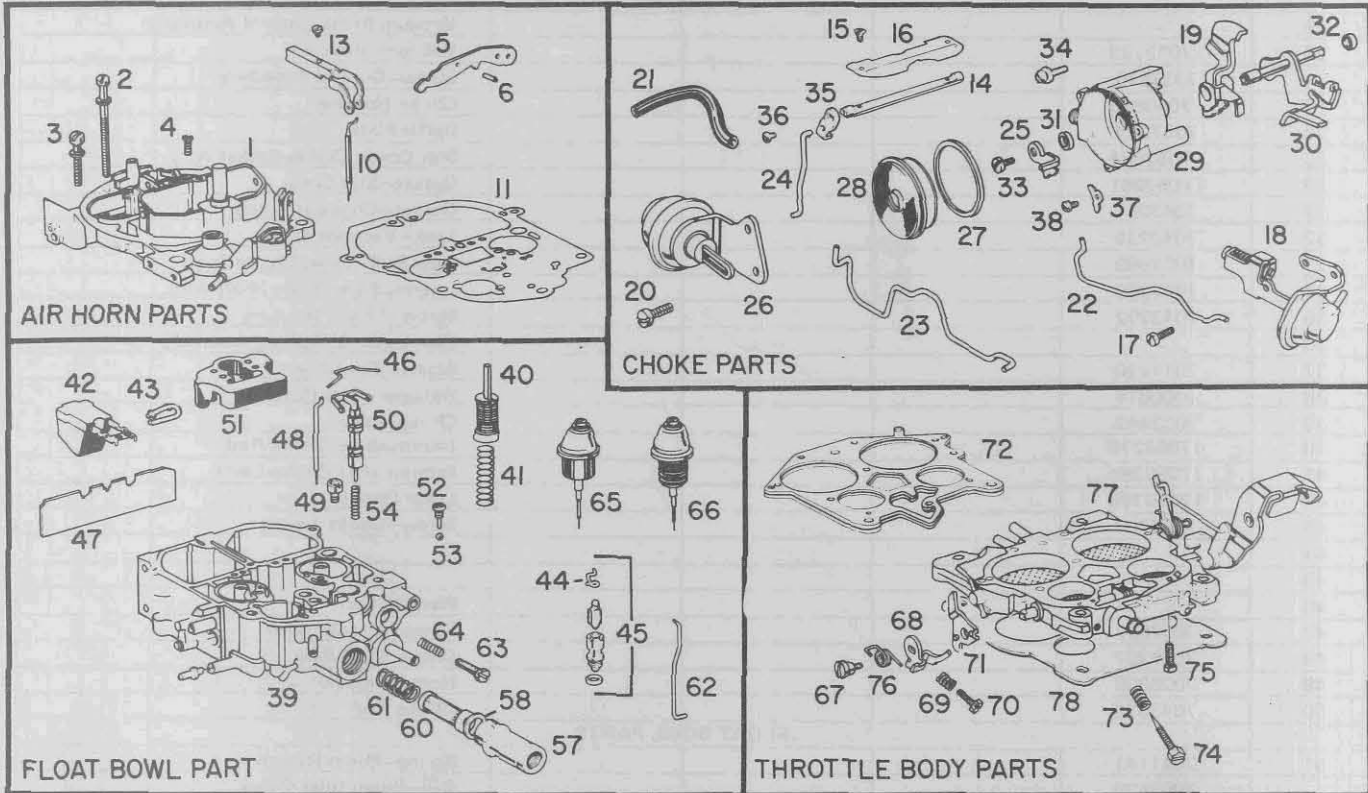
**CHEV-GMC TRUCK
PARTS CATALOGUE**

	7045115	7045116	7045123	7045124	CARBURETOR No.
Illus. No.	AIR HORN PARTS (Continued)				
22	—	—	—	—	Idle Vent Valve Kit
23	—	—	—	—	Screw—Idle Vent Valve
24	—	—	—	—	Idle Vent Valve
CHOKE PARTS					
25	—	—	—	—	Vacuum Break Control Assembly
26	17052732				Vacuum Break Kit
—	7037570				Screw—Control Attaching
27	17050876				Choke Housing
28	7037239				Baffle Plate
29	17052654				Stat Cover, Coil & Gasket Assy.
30	17050961				Gasket—Stat Cover
31	7043291				Gasket—Choke Housing
32	7040239				Link—Vacuum Break
33	7037569				Dust Seal—Inter. Choke Shaft
34	7043289				Intermediate Choke Shaft Assy.
35	7043292				Screw—Choke Housing
36	—	—	—	—	Cam Lever & Bushing Assembly
37	7011270				Screw—Stat Cover
38	7000614				Retainer—Stat Cover
39	7033443				Choke Valve
40	17050270				Intermediate Choke Rod
41	17050266				Intermediate Choke Lever
42	17050766				Lever Choke
43	7019709				Screw—Choke Levers
44					
45					
46					Washer—Cam
47	7007627				Screw—Choke Valve
48	7047797				Choke Shaft Assy.
49	7026339				Hose—Vacuum
50	7043370				Choke Rod
FLOAT BOWL PARTS					
51	7041141				Spring—Pump Return
—	7002120				Ball—Pump Inlet Check
—					Strainer—Pump Inlet
52	7000286				Guide—Pump Discharge
53	7002118				Spring—Pump Discharge
54	7002117				Ball—Pump Discharge
55	17052659	17052653	17052659	17052659	Float Bowl Assembly
56	KIT ONLY				Gasket—Venturi Cluster
57	17051435				Venturi Cluster Assembly
58	7045762				Screw—Venturi Cluster—Outer
59	7009077				Screw—Cluster—Center
60	120217				Lockwasher—Outer Screws
61	KIT ONLY				Gasket—Center Screw
62	7002650				Jet—Standard (See Note)
63	7040320				Insert—Main Well
64	7011989				Power Valve Assembly
65	KIT ONLY				Gasket—Power Valve
66					
67	7043369				Cam—Fast Idle
68	7003561				Screw—Cam Attaching
THROTTLE BODY PARTS					
69	KIT ONLY				Gasket—Throttle Body
70	7015105				Screw—Throttle Body
71	121744				Lockwasher—Throttle Body Screws
72	17050277				Pump Rod
73	7018186				Clip—Pump Rod
74	7029427				Idle Stop Screw
—	7037131				Spring—Idle Stop Screw
75	17052723				Throttle Body Assembly
76	7048860				Idle Needle
77	7011479				Spring—Idle Needle
78	6271058	336060	336060	336060	Insulator—Flange



1975 ROCHESTER CARBURETOR MODEL M4MCA
350 V-8 — 4BC

PARTS SHOWN ARE FOR IDENTIFICATION ONLY, CONSULT PARTS LIST FOR CORRECT PART NAME AND NUMBER



PARTS IN ALL COLUMNS SAME - EXCEPT WHERE INDICATED

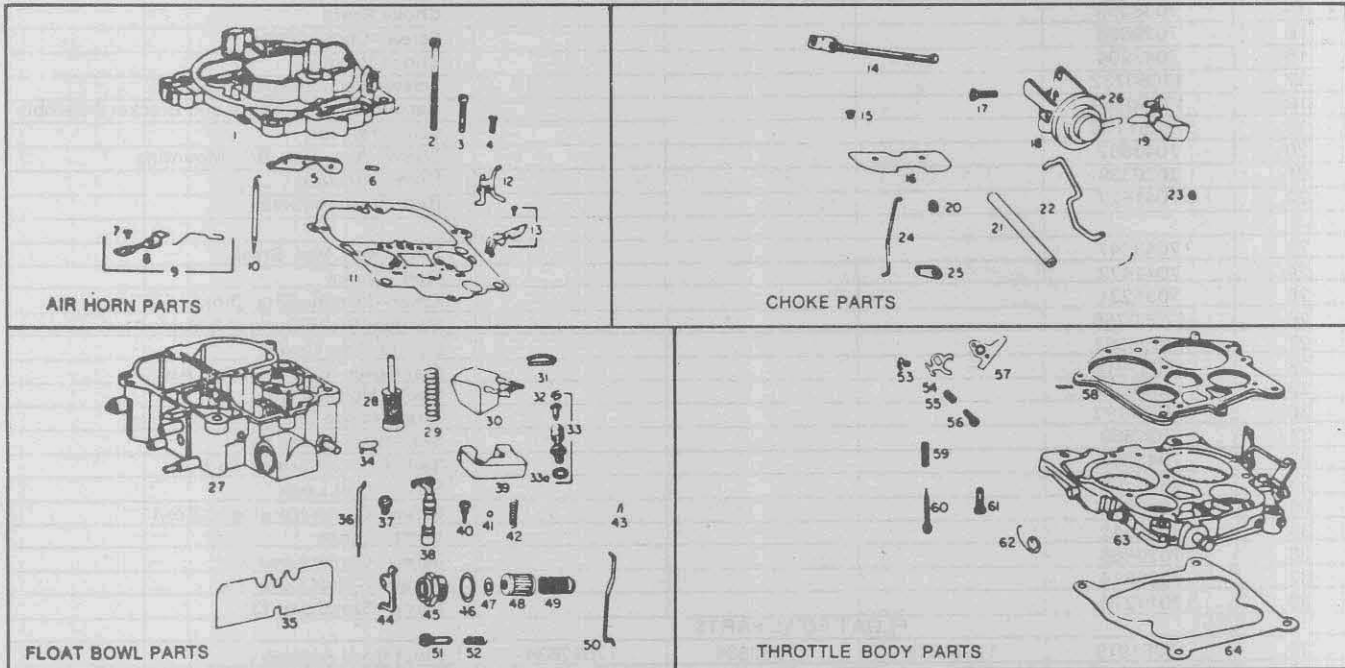
	350 CU. IN.	350 CU. IN.	350 CU. IN.	350 CU. IN.	APPLICATION
	7045202	7045203	7045218	7045219	CARBURETOR No.
	7047536	7047537	17052576	17052577	REPLACEMENT PACKAGE No.
	17051931	17051931	17052631	17052635	OVERHAUL KIT
	7039272				POWER CARBURETOR KIT
	17051913				GASKET SET
Illus. No.	AIR HORN PARTS				
1	17052228	17052228	17051362	17051362	Air Horn Assembly
2	7029912				Screw—Air Horn
3	7014699				Screw—Air Horn
4	7031105				Screw—Air Horn
5	7048169				Lever—Pump Actuating
6	9428787				Roll Pin—Pump and Lockout Levers
7	—				Screw—Idle Vent Valve
8	—				Valve—Idle Vent
9	—				Idle Vent Valve Kit
10	7045779				Metering Rod—Secondary
11	7042998				Gasket—Air Horn
12	—				Lockout Lever—Air Valve
13	7034522				Secondary Metering Rod Holder Kit
—	7035344				Air Valve Spring and Cam Kit

GM CHEV-GMC TRUCK
PARTS CATALOGUE

	7045202	7045203	7045218	7045219	CARBURETOR No.
Illus. No.	CHOKE PARTS				
14	7038259				Choke Shaft
15	7029866				Screw—Choke Valve
16	7048904				Choke Valve
17	17050732				Screw—Vacuum Break Control
18	17050759				Vacuum Break Control and Bracket Assembly
19	17051176				Cam—Fast Idle
20	7043682				Screw—Aux. Vac. Brk. Mounting
21	7026339				Hose—Vacuum
22	7041527				Rod—Vacuum Break
23	7043447				Link—Aux. Vac. Break
24	7041472				Rod—Choke
25	7031231				Lever—Intermediate Choke
26	17050756				Vacuum Break Control & Brkt. Assy. Aux.
27	17050961				Gasket—Stat Cover
28	17051918				Stat Cover—Coil & Gasket Assy.
29	17051917				Choke Housing Kit
30	17051193				Intermediate Choke Shaft & Lever
31	7037569				Seal—Inter Choke Shaft
32	7043367				Seal—Choke Housing To Bowl
33	7019709				Screw—Coil Lever
34	7038808				Screw—Choke Housing to Bowl
35	7041542				Lever—Choke
36	7029866				Screw—Choke Lever
37	7000614				Retainer—Stat Cover (3)
38	7011270				Screw—Stat Cover (3)
	FLOAT BOWL PARTS				
39	17051919	17051919	17052634	17052634	Float Bowl Assembly
40	17051374				Pump Assembly
41	7042979				Spring—Pump Return
42	7041468				Float Assembly
43	7041469				Hinge Pin—Float
44	7033751				Pull Clip—Float Needle
45	7035134				Needle and Seat Assembly
45A	KIT ONLY				Gasket—Needle Seat
46	7041459				Spring—Metering Rod—Primary
47	7031365				Baffle Plate—Float Bowl
48	17051346	17051346	17051344	17051344	Metering Rod—Primary
49	7031972	7031972	7031971	7031971	Metering Jet—Primary
50	7041460				Power Piston Assembly
51	7041471				Insert—Float Bowl
52	7029849				Retainer—Pump Discharge Ball
53	7002117				Ball—Pump Discharge
54	17052057				Spring—Power Piston
55	—				Clip—Pump Rod
56	7041473				Lockout Lever—Secondary
57	7048873				Filter Nut—Fuel Inlet
58	7024281				Gasket—Inlet Nut
59	—				Gasket—Filter
60	5650906				Filter—Fuel Inlet
61	7030588				Spring—Inlet Filter
62	7026138				Rod—Pump
63	3960392				Screw—Idle Stop
64	7003176				Spring—Idle Stop Screw
65	17053049				A.P.T. Rod Assembly
66	—				Aneroid Assembly
—					Locking Washer—Retaining Nut
—					Nut—Solenoid Retaining
—					Screw—Bracket
	THROTTLE BODY PARTS				
67	7036079				Screw—Fast Idle Levers Attaching
68	7041498				Lever—Fast Idle
69	7029900				Spring—Fast Idle Screw
70	7044794				Screw—Fast Idle Adjusting
71	7041497				Lever—Cam Follower
72	KIT ONLY				Gasket—Throttle Body
73	7011479				Spring—Idle Needle
74	7048531				Idle Needle
75	7035790				Screw—Throttle Body
76	17051494				Spring—Cam Follower Lever
77	17051921	17051923	17052200	17052202	Throttle Body Assembly
78	354310				Insulator—Flange



1975 ROCHESTER CARBURETOR MODEL 4MV
350 CUBIC INCH ENGINE — 4BC



PARTS IN ALL COLUMNS SAME — EXCEPT WHERE INDICATED

PARTS SHOWN ARE FOR IDENTIFICATION ONLY. CONSULT PARTS LIST FOR CORRECT PART NAME AND NUMBER

350 cu. in.	350 cu. in.	350 cu. in.	350 cu. in.	Application
7045213	7045216	7045214	7045215	Carburetor No.
7047532	7047532	7047514	7047516	Replacement Package No.
17050619	17050619	17050613	17050613	Overhaul Kit
7039268				Power Carburetor Kit
17050525				Gasket Set

Key	AIR HORN PARTS				
1	7048938				Air Horn Assembly
11	7038841				*Gasket — Air Horn
5	7048169				Lever — Pump Actuating
6	9428787				*Roll Pin — Pump Lever Hinge
2	7029912				Screw — Air Horn (2)
3	7014699				Screw — Air Horn (5)
4	7031105				Screw — Air Horn (2)
10	7045842				Metering Rod — Secondary (2)
13	7034522				Secondary Metering Rod Holder Kit
—	7035344				Air Valve Spring & Cam Kit
—	—	—	—	—	Baffle — Air Horn
CHOKE PARTS					
18	7048899				Vacuum Brake Control & Brkt. Assy.
26	7048206				Vacuum Brake Control Assembly
22	7024257				Rod — Vacuum Break
17	7031925				Screw — Control Attaching
19	7047876				Cam — Fast Idle
21	7026339				Hose — Vacuum
14	7038855				Choke Shaft and Lever Assy.
16	7036021				Choke Valve
15	7029866				Screw — Choke Valve (2)
25	7031231				Lever — Intermediate Choke
24	7037557				Rod — Choke
20	836159				*Clip — Int. Choke Rod & Choke Rod
—	7024256	7024256	7024256	7024254	Rod — Intermediate Choke
27	17050614	17050614	7046861	7046861	Float Bowl Assembly



1975 ROCHESTER CARBURETOR MODEL 4MV — (Cont'd.)
350 CUBIC INCH ENGINE — 4BC

Key	7045213	7045216	7045214	7045215	Carburetor No.
37	7031968	7031970	7031970	7031971	*Jet — Primary (2)
41	7002117				*Ball — Pump Discharge
40	7029849				Retainer — Pump Discharge
33	7035140				*Needle & Seat Assembly
33A	Kit Only				*Gasket — Needle Seat
32	7033751				*Pull Clip — Float Needle
30	7037316				Float Assembly
31	7037317				Hinge Pin — Float Assembly
38	7034903				Power Piston Assembly
42	7037305				Spring — Power Piston
36	7034836	7034836	7034839	7034839	*Metering Rod — Primary (2)
34	7029862				Spring — Metering Rod — Primary
45	7045605				Filter Nut — Fuel Inlet
46	7024281				*Gasket — Filter Nut
48	5651393				Filter — Fuel Inlet
49	7030588				Spring — Fuel Filter
52	7003176				Spring — Idle Stop Screw
51	7002121				Screw — Idle Stop
39	7037319				Insert — Float Bowl
35	7031365				Baffle — Float Bowl
29	7041169				*Spring — Pump Return
28	7047080				*Pump Assembly
50	7026138				Rod — Pump
44	7027270				Lever — Secondary Lockout
—	—				Solenoid Assembly — Idle Stop
—	—				Bracket — Solenoid
—	—				*Locking Washer — Retaining Nut
—	—				Nut — Solenoid Retaining
—	—				Screw — Solenoid Bracket
THROTTLE BODY PARTS					
63	17050616	17050616	17050610	17050610	Throttle Body Assembly
58	Kit Only				*Gasket — Throttle Body
61	7035790				Screw — Throttle Body (3)
60	7048531				*Idle Needle (2)
59	7008314				Spring — Idle Needle (2)
57	7043634				Lever — Cam Follower
62	7035772				Spring — Cam Lever
54	7030677				Lever — Fast Idle
53	7035523				Screw — Fast Idle Lever Attaching
56	7029899				Screw — Fast Idle Adjusting
55	7029900				Spring — Fast Idle Screw
64	342705				*Insulator — Flange

* Contained in Overhaul Kit

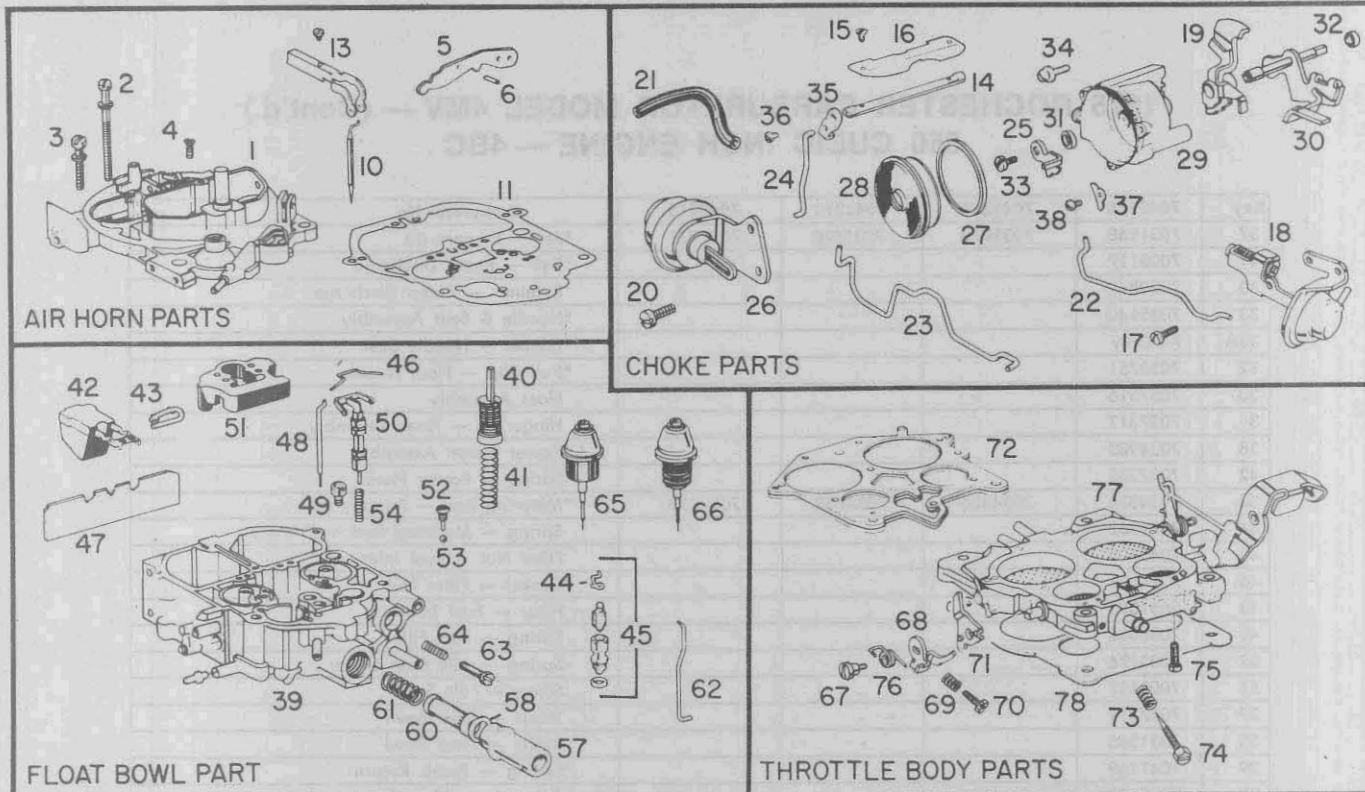


CHEV-GMC TRUCK

PARTS CATALOGUE

1975 ROCHESTER CARBURETOR MODEL M4MC
350 V-8 4BC

PARTS SHOWN ARE FOR IDENTIFICATION ONLY, CONSULT PARTS LIST FOR CORRECT PART NAME AND NUMBER



AIR HORN PARTS

CHOKE PARTS

FLOAT BOWL PART

THROTTLE BODY PARTS

PARTS IN ALL COLUMNS SAME - EXCEPT WHERE INDICATED

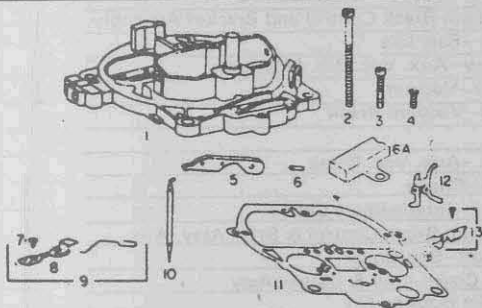
	350 CU. IN.	350 CU. IN.	APPLICATION
	7045285	7045287	CARBURETOR No.
	17052826	17052827	REPLACEMENT PACKAGE No.
	17051931	17051931	OVERHAUL KIT
	7039272		POWER CARBURETOR KIT
	17051913		GASKET SET
Illus. No.	AIR HORN PARTS		
1	17052228	17051362	Air Horn Assembly
2	7029912		Screw-Air Horn
3	7014699		Screw-Air Horn
4	7031105		Screw-Air Horn
5	7048169		Lever-Pump Actuating
6	9428787		Roll Pin-Pump and Lockout Levers
7	-		Screw-Idle Vent Valve
8	-		Valve-Idle Vent
9	-		Idle Vent Valve Kit
10	7045779		Metering Rod-Secondary
11	7042998		Gasket-Air Horn
12	-		Lockout Lever-Air Valve
13	7034522		Secondary Metering Rod Holder Kit
-	7035344		Air Valve Spring and Cam Kit



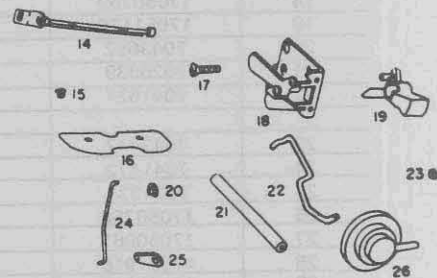
	7045285	7045287	CARBURETOR No.
	CHOKE PARTS		
Illus. No.			
14	7038259		Choke Shaft
15	7029866		Screw—Choke Valve
16	7048904		Choke Valve
17	17050732		Screw—Vacuum Break Control
18	17050759		Vacuum Break Control and Bracket Assembly
19	17051176		Cam—Fast Idle
20	7043682		Screw—Aux. Vac. Brk. Mounting
21	7026339		Hose—Vacuum
22	7041527		Rod—Vacuum Break
23	7043447		Link—Aux. Vac. Break
24	7041472		Rod—Choke
25	7031231		Lever—Intermediate Choke
26	17050756		Vacuum Break Control & Brkt. Assy. Aux.
27	17050961		Gasket—Stat Cover
28	17051918		Stat Cover—Coil & Gasket Assy.
29	17051917		Choke Housing Kit
30	17051193		Intermediate Choke Shaft & Lever
31	7037569		Seal—Inter Choke Shaft
32	7043367		Seal—Choke Housing To Bowl
33	7019709		Screw—Coil Lever
34	7038808		Screw—Choke Housing to Bowl
35	7041542		Lever—Choke
36	7029866		Screw—Choke Lever
37	7000614		Retainer—Stat Cover (3)
38	7011270		Screw—Stat Cover (3)
	FLOAT BOWL PARTS		
39	17051919	17051919	Float Bowl Assembly
40	17051374		Pump Assembly
41	7042979		Spring—Pump Return
42	7041468		Float Assembly
43	7041469		Hinge Pin—Float
44	7033751		Pull Clip—Float Needle
45	7035134		Needle and Seat Assembly
45A	KIT ONLY		Gasket—Needle Seat
46	7041459		Spring—Metering Rod—Primary
47	7031365		Baffle Plate—Float Bowl
48	17051346	17051344	Metering Rod—Primary
49	7031972	7031973	Metering Jet—Primary
50	7041460		Power Piston Assembly
51	7041471		Insert—Float Bowl
52	7029849		Retainer—Pump Discharge Ball
53	7002117		Ball—Pump Discharge
54	17052057		Spring—Power Piston
55	—		Clip—Pump Rod
56	7041473		Lockout Lever—Secondary
57	17051254		Filter Nut—Fuel Inlet
58	7024281		Gasket—Inlet Nut
59	—		Gasket—Filter
60	5650906		Filter—Fuel Inlet
61	7043568		Spring—Inlet Filter
62	7026138		Rod—Pump
63	7002121		Screw—Idle Stop
64	7003176		Spring—Idle Stop Screw
65	17053049		A.P.T. Rod Assembly
66	—		Aneroid Assembly
—	—		Locking Washer—Retaining Nut
—	—		Nut—Solenoid Retaining
—	—		Screw—Bracket
	THROTTLE BODY PARTS		
67	7036079		Screw—Fast Idle Levers Attaching
68	7041498		Lever—Fast Idle
69	7029900		Spring—Fast Idle Screw
70	7044794		Screw—Fast Idle Adjusting
71	7041497		Lever—Cam Follower
72	KIT ONLY		Gasket—Throttle Body
73	7011479		Spring—Idle Needle
74	7048531		Idle Needle
75	7035790		Screw—Throttle Body
76	17051494		Spring—Cam Follower Lever
77	17051921	17051921	Throttle Body Assembly
78	354308		Insulator—Flange



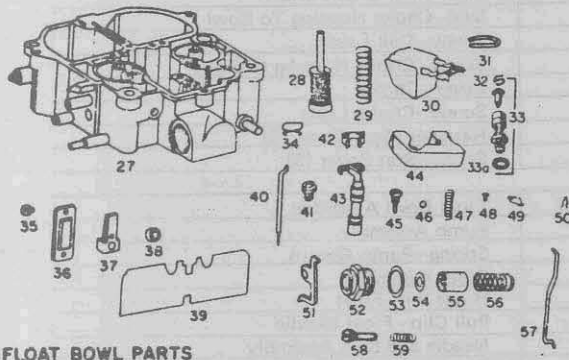
1975 ROCHESTER CARBURETOR MODEL 4MV
400 CUBIC INCH ENGINE — 4BC



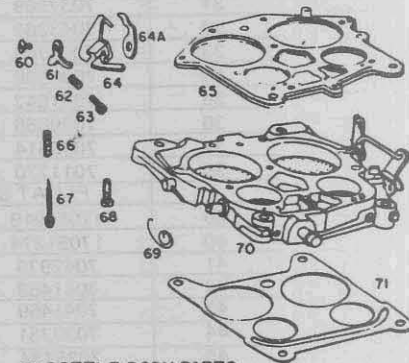
AIR HORN PARTS



CHOKE PARTS



FLOAT BOWL PARTS



THROTTLE BODY PARTS

PARTS IN ALL COLUMNS SAME — EXCEPT WHERE INDICATED

PARTS SHOWN ARE FOR IDENTIFICATION ONLY. CONSULT PARTS LIST FOR CORRECT PART NAME AND NUMBER

400 cu. in.	400 cu. in.	Application
7045225	7045229	Carburetor No.
17052574	17052575	Replacement Package No.
17052617		Overhaul Kit
7039268		Power Carburetor Kit
17050525		Gasket Set

Key		AIR HORN	
1	7048988		Air Horn Assembly
11	7038841		Gasket — Air Horn
5	7048169		Lever — Pump Actuating
6	9428787		Roll Pin — Pump Lever Hinge
2	7029912		Screw — Air Horn (2)
3	7014699		Screw — Air Horn (5)
4	7031105		Screw — Air Horn (2)
10	7048892		Metering Rod — Secondary (2)
9	7034522		Secondary Metering Rod Holder Kit
—	7035344		Air Valve Spring & Cam Kit
		CHOKE PARTS	
18	7048899		Vacuum Break Control & Bracket Assy.
26	7048206		Vacuum Break Control Assy.
22	7024257		Rod — Vacuum Break
17	7031925		Screw — Control Attaching
19	7047876		Cam — Fast Idle
21	7026339		Hose — Vacuum
14	7038855		Choke Shaft & Lever Assembly
16	7036021		Choke Valve
15	7029866		Screw — Choke Valve (2)
25	7031231		Lever — Intermediate Choke

**1975 ROCHESTER CARBURETOR MODEL 4MV — (Cont'd.)
400 CUBIC INCH ENGINE — 4BC**

Key	7045225	7045229	Carburetor No.
24	7037557		Rod — Choke
20	—		Clip — Choke Rod
23	836159		Clip — Intermediate Choke Rod
—	7024256		Rod — Intermediate Choke
FLOAT BOWL PARTS			
27	7046861	17050614	Float Bowl Assembly
41	7031971	7031969	Jet — Primary
46	7002117		Ball — Pump Discharge
45	7029849		Retainer — Pump Discharge
33	7035140		Needle & Seat Assembly
33A	Kit Only		Gasket — Needle Seat
32	7033751		Pull Clip — Float Needle
30	7037316		Float Assembly
31	7037317 *		Hinge Pin — Float Assembly
43	7034903		Power Piston Assembly
47	7037305		Spring — Power Piston
40	7034836		Metering Rod — Primary
34	7029862		Spring — Metering Rod — Primary
52	7045605		Filter Nut — Fuel Inlet
54	7024281		Gasket — Filter Nut
55	5651393		Filter — Fuel Inlet
56	7030588		Spring — Fuel Filter
59	7003176		Spring — Idle Stop Screw
58	7002121		Screw — Idle Stop
44	7037319		Insert — Float Bowl
39	7031365		Baffle — Float Bowl
29	7041169		Spring — Pump Return
28	7047080		Pump Assembly
57	7026138		Rod — Pump
51	7027270		Lever — Secondary Lockout
—	—		Solenoid Assembly — Idle Stop
—	—		Bracket — Solenoid
—	—		Locking Washer — Retaining Nut
—	—		Nut — Solenoid Retaining
—	—		Screw — Solenoid Bracket
THROTTLE BODY PARTS			
70	17052613	17052614	Throttle Body Assembly
65	Kit Only		Gasket — Throttle Body
68	7035790		Screw — Throttle Body
67	7048532		Idle Needle & Limiter Kit
66	7011479		Spring — Idle Needle
—	—		Limiter — Idle Needle
64	7043634		Lever — Cam Follower
69	7035772		Spring — Cam Lever
61	7030677		Lever — Fast Idle
60	7035523		Screw — Fast Idle Lever Attaching
63	7029899		Screw — Fast Idle Adjusting
62	7029900		Spring — Fast Idle Screw
71	354310		Insulator — Flange

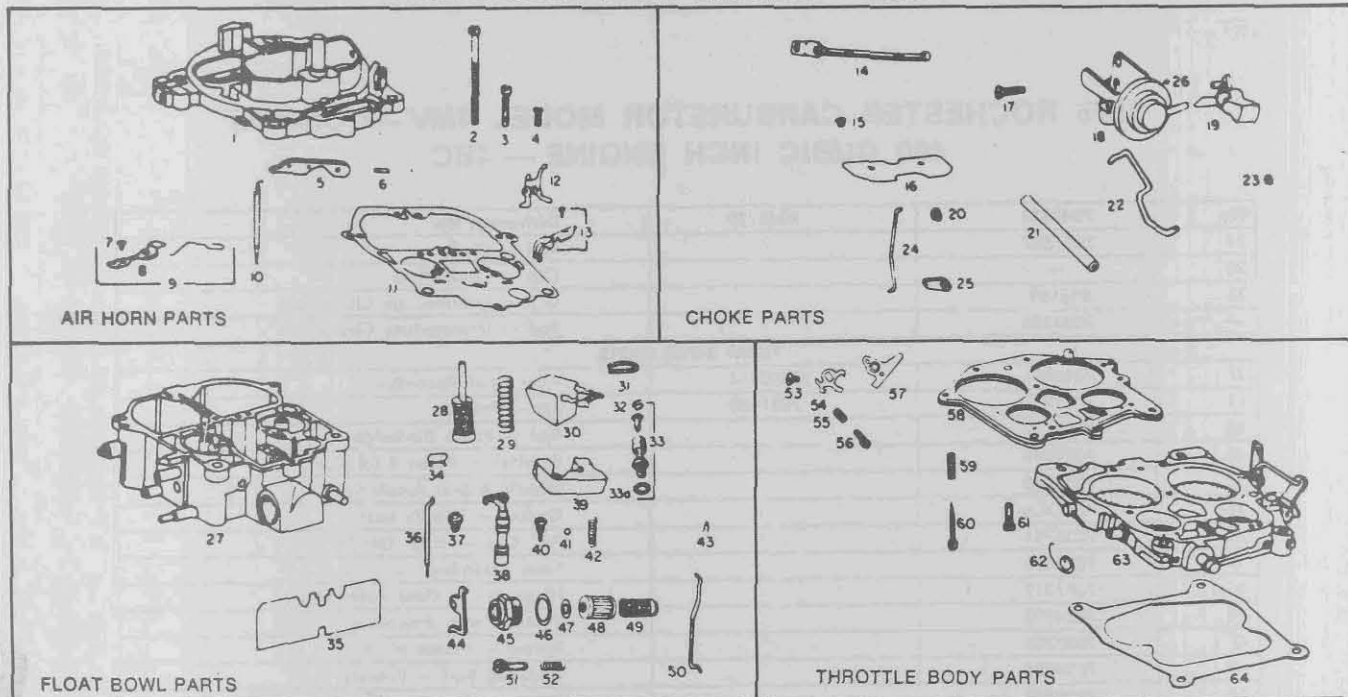
* Contained In Overhaul Kit



CHEV-GMC TRUCK

PARTS CATALOGUE

1975 ROCHESTER CARBURETOR MODEL 4MV
454 CUBIC INCH ENGINE — 4BC



PARTS IN ALL COLUMNS SAME — EXCEPT WHERE INDICATED

PARTS SHOWN ARE FOR IDENTIFICATION ONLY. CONSULT PARTS LIST FOR CORRECT PART NAME AND NUMBER

454 cu. in.	454 cu. in.	454 cu. in.	454 cu. in.	Application
7045200	7045220	7045212	7045217	Carburetor No.
17052604	17052578	7047512	7047512	Replacement Package No.
17052644	17052645	17050607	17050607	Overhaul Kit
7039272	7039272	7039268	7039268	Power Carburetor Kit
17051913	17051913	17050525	17050525	Gasket Set

Key	AIR HORN PARTS				
1	17051362	17051362	7048880	7048880	Air Horn Assembly
11	7042998	7042998	7038841	7038841	*Gasket — Air Horn
5	7048169				Lever — Pump Actuating
6	9428787				*Roll Pin — Pump Lever Hinge
2	7029912				Screw — Air Horn (2)
3	7014699				Screw — Air Horn (5)
4	7031105				Screw — Air Horn (2)
10	7045780	7045780	7048992	7048992	Metering Rod — Secondary (2)
13	7034522				Secondary Metering Rod Holder Kit
—	7035344				Air Valve Spring & Cam Kit
	CHOKE PARTS				
18	7041534	7041534	7048884	7048884	Vacuum Break Control & Brkt. Assy.
26	—	—	7048200	7048200	Vacuum Break Control Assy.
22	7041527	7041527	7024257	7024257	Rod — Vacuum Break
17	17050732	17050732	7031925	7031925	Screw — Control Attaching
19	7042922	7042922	7047378	7047378	Cam — Fast Idle
21	7026339				Hose — Vacuum
14	7038259	7038259	7047614	7047614	Choke Shaft & Lever Assembly
16	7048904	7048904	7036021	7036021	Choke Valve
15	7029866				Screw — Choke Valve (2)
25	7031231				Lever — Intermediate Choke
24	7041472	7041472	7037557	7037557	Rod — Choke
—	—	—	7041178	7041178	Rod — Intermediate Choke
	FLOAT BOWL PARTS				
27	17052641	17052641	7046854	7046854	Float Bowl Assembly
37	7031974	7031974	7031970	7031970	*Jet — Primary (2)



1975 ROCHESTER CARBURETOR MODEL 4MV — (Cont'd.)
454 CUBIC INCH ENGINE — 4BC

Key	7045200	7045220	7045212	7045217	Carburetor No.
41	7002117				*Ball — Pump Discharge
40	7029849				Retainer — Pump Discharge
33	7035134	7035134	7035140	7035140	*Needle & Seat Assembly
33A	Kit Only				*Gasket — Needle Seat
32	7033751				*Pull Clip — Float Needle
30	7041468	7041468	7037316	7037316	Float Assembly
31	7041469	7041469	7037317	7037317	Hinge Pin — Float Assembly
38	7041460	7041460	7034903	7034903	Power Piston Assembly
42	7041477	7041477	7037298	7037298	Spring — Power Piston
36	7043543	7043538	7034833	7034833	*Metering Rod — Primary (2)
34	7041459	7041459	7029862	7029862	Spring — Metering Rod — Primary
45	7048873	7048873	7045605	7045605	Filter Nut — Fuel Inlet
46	7024281				*Gasket — Filter Nut
48	5650906	5650906	5651393	5651393	Filter — Fuel Inlet
49	7030588				Spring — Fuel Filter
52	7003176				Spring — Idle Stop Screw
51	7002121				Screw — Idle Stop
39	7041471	7041471	7037319	7037319	Insert — Float Bowl
35	7031365				Baffle — Float Bowl
29	7042979	7042979	7041169	7041169	*Spring — Pump Return
28	17051374	17051374	7047080	7047080	*Pump Assembly
50	7026138				Rod — Pump
44	7041473	7041473	7027270	7027270	Lever — Secondary Lockout
—	1997439	1997437	1997417	1997417	Solenoid Assembly — Idle Stop
—	—	—	7042682	7042682	Bracket — Solenoid
—	—	—	7042653	7042653	*Locking Washer — Retaining Nut
—	—	—	7042654	7042654	Nut — Solenoid Retaining
—	—	—	7043682	7043682	Screw — Solenoid Bracket
THROTTLE BODY PARTS					
63	17052643	17052643	17050602	17050602	Throttle Body Assembly
58	Kit Only				*Gasket — Throttle Body
61	7035790				Screw — Throttle Body (3)
60	7048532				*Idle Needle & Limiter Kit
59	7011479				Spring — Idle Needle (2)
—	—				*Limited — Idle Needle (2)
57	7041497	7041497	7043634	7043634	Lever — Cam Follower
62	17051494	17051494	7035772	7035772	Spring — Cam Lever
54	7041498	7041498	7030677	7030677	Lever — Fast Idle
53	7036079	7036079	7035523	7035523	Screw — Fast Idle Lever Attaching
56	7044794	7044794	7029899	7029899	Screw — Fast Idle Adjusting
55	7029900				Spring — Fast Idle Screw
64	354308	354308	354310	354310	*Insulator — Flange

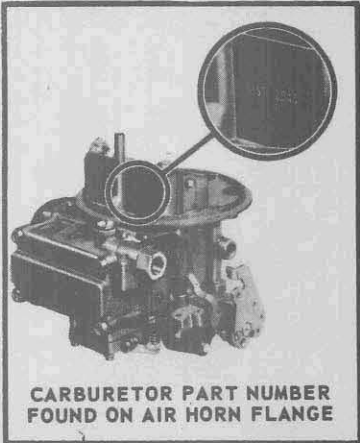
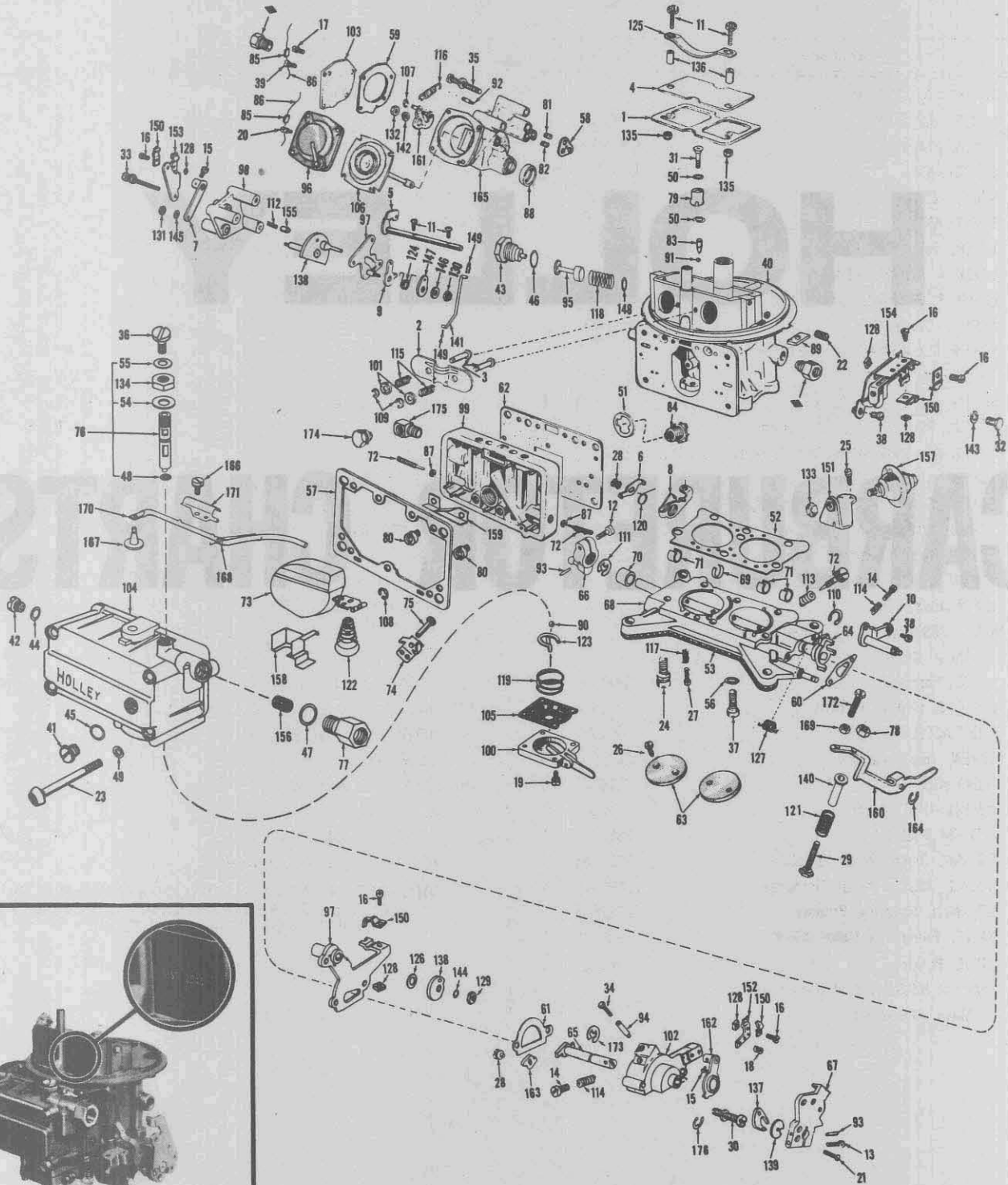


HOLLEY & HERRICK CARBURETOR
CORPORATION
1000 17TH AVENUE S.W. DENVER, CO. 80202

HOLLEY

CARBURETOR CHARTS

**HOLLEY 2 BARREL CARBURETORS
(R4147A & R4148A)
FOR 1968 396 ENGINE WITH 2 BC**



**CARBURETOR PART NUMBER
FOUND ON AIR HORN FLANGE**



HOLLEY 2 BARREL CARBURETORS
(R4147A & R4148A)
FOR 1968 396 ENGINE WITH 2 BC

Key	Description	Part No.	Qty.
	SERVICE CARBURETOR	3935215	1
	MAJOR REPAIR KIT	N.L.A.	1
	MINOR REPAIR KIT	3938938	1
	GASKET KIT	N.L.A.	1
1	VALVE, Choke	3940001	1
5	SHAFT ASSY., Choke	2367952	1
6	LEVER, Fast Idle Cam	N.L.A.	1
7	LEVER & SWIVEL, Choke	3940002	1
9	LEVER & BUSHING, Choke Rod	N.L.A.	1
11	SCREW, Choke Valve	2285775	2
19	SCREW & LOCKWASHER, Secondary Diaphragm Cover	2285812	4
21	SCREW, Pump Cam Lock	3852463	1
23	SCREW, Float Bowl to Air Horn	2367996	4
24	SCREW & LOCKWASHER, Throttle Body to Air Horn	2368004	5
26	SCREW, Throttle Valve	2368018	4
28	SCREW, Fast Idle Cam Lever Adjusting	N.L.A.	1
29	SCREW, Pump Lever Adjusting	2368956	1
31	SCREW, Pump Discharge Nozzle	2368034	1
33	SCREW & LOCKWASHER, Fast Idle Cam	N.L.A.	3
40	HORN ASSY., Air	N.L.A.	1
44 to 62	GASKETS — N.S.S. Part of Gasket Kit or Major Repair Kit	—	—
63	VALVE, Throttle	3877163	2
64	LEVER & SHAFT, Throttle	N.L.A.	1
68	BODY ASSY., Throttle	N.L.A.	1
72	SCREW, Idle Adjusting	2367986	2
73	FLOAT ASSY.	3916048	1
76	NEEDLE UNIT, Float	N.L.A.	1
77	FITTING, Fuel Inlet	3960299	1
78	FITTING, Pump Lever Adjusting	2368958	1
79	NOZZLE ASSY., Pump Discharge	3881419	1
80	JET, Main Metering Primary	2292685	2
83	VALVE, Pump Discharge Needle	3852485	1
84	VALVE, Power	N.L.A.	1
87	SEAL — N.S.S. Part of Gasket Kit or Major Repair Kit	—	—

Key	Description	Part No.	Qty.
89	SEAL, Choke Rod	3852471	1
97	PLATE & STUD, Fast Idle Back-up	N.L.A.	1
98	PLATE, Fast Idle Cam	N.L.A.	1
99	BODY & PLUGS, Main Metering	N.L.A.	1
100	COVER ASSY., Fuel Pump	2368309	1
104	BOWL ASSY., Float	N.L.A.	1
105	DIAPHRAGM ASSY., Fuel Pump	2414214	1
112	SPRING, Diaphragm Plunger	2292668	1
114	SPRING, Throttle Adjusting Screw	2285846	1
119	SPRING, Fuel Pump Diaphragm Return	3918878	1
121	SPRING, Pump Lever Adjusting Screw	3888872	1
122	SPRING, Float	3867993	1
124	SPRING, Choke	2367976	1
138	CAM & SHAFT, Fast Idle	N.L.A.	1
141	ROD, Choke	N.L.A.	1
147	WASHER, Choke Spring	N.L.A.	1
149	RETAINER, Choke Rod	N.L.A.	1
153	BRACKET ASSY., Choke Control Wire	N.L.A.	1
155	PLUNGER, Fast Idle Cam	2292667	1
156	FILTER, Fuel Inlet	7013404	1
—	SPRING, Fuel Inlet Filter — Not Illustrated	7034356	1
158	BAFFLE, Fuel Bowl	3912152	1
159	BAFFLE, Metering Body Vent	3852483	1
160	LEVER, Pump Operating	3907115	1
164	RING, Pump Operating Lever Retaining	N.L.A.	1
166	SCREW & LOCKWASHER, Air Vent Rod Clamp	3881410	1
167	VALVE, Air Vent	N.L.A.	1
168	SPRING, Air Vent Valve	N.L.A.	1
170	ROD, Air Valve	N.L.A.	1
171	CLAMP, Air Valve Rod	3881441	1

N.S.S.—Not Serviced Separately.

NOTE: PARTS FOUND ON ILLUSTRATION BUT NOT ON PART NUMBER LIST ARE NOT APPLICABLE TO THE SUBJECT CARBURETORS OR ARE NOT SERVICED.

NOTES

FOR 2358 2358 ENGINE WITH 2.0L

Part No. (Old)	Description (Old)	Part No. (New)	Description (New)
2358-1	COVER CARBURETOR	2358-1	COVER CARBURETOR
2358-2	WASH WATER NO. 1	2358-2	WASH WATER NO. 1
2358-3	WASH WATER NO. 2	2358-3	WASH WATER NO. 2
2358-4	WASH WATER NO. 3	2358-4	WASH WATER NO. 3
2358-5	WASH WATER NO. 4	2358-5	WASH WATER NO. 4
2358-6	WASH WATER NO. 5	2358-6	WASH WATER NO. 5
2358-7	WASH WATER NO. 6	2358-7	WASH WATER NO. 6
2358-8	WASH WATER NO. 7	2358-8	WASH WATER NO. 7
2358-9	WASH WATER NO. 8	2358-9	WASH WATER NO. 8
2358-10	WASH WATER NO. 9	2358-10	WASH WATER NO. 9
2358-11	WASH WATER NO. 10	2358-11	WASH WATER NO. 10
2358-12	WASH WATER NO. 11	2358-12	WASH WATER NO. 11
2358-13	WASH WATER NO. 12	2358-13	WASH WATER NO. 12
2358-14	WASH WATER NO. 13	2358-14	WASH WATER NO. 13
2358-15	WASH WATER NO. 14	2358-15	WASH WATER NO. 14
2358-16	WASH WATER NO. 15	2358-16	WASH WATER NO. 15
2358-17	WASH WATER NO. 16	2358-17	WASH WATER NO. 16
2358-18	WASH WATER NO. 17	2358-18	WASH WATER NO. 17
2358-19	WASH WATER NO. 18	2358-19	WASH WATER NO. 18
2358-20	WASH WATER NO. 19	2358-20	WASH WATER NO. 19
2358-21	WASH WATER NO. 20	2358-21	WASH WATER NO. 20
2358-22	WASH WATER NO. 21	2358-22	WASH WATER NO. 21
2358-23	WASH WATER NO. 22	2358-23	WASH WATER NO. 22
2358-24	WASH WATER NO. 23	2358-24	WASH WATER NO. 23
2358-25	WASH WATER NO. 24	2358-25	WASH WATER NO. 24
2358-26	WASH WATER NO. 25	2358-26	WASH WATER NO. 25
2358-27	WASH WATER NO. 26	2358-27	WASH WATER NO. 26
2358-28	WASH WATER NO. 27	2358-28	WASH WATER NO. 27
2358-29	WASH WATER NO. 28	2358-29	WASH WATER NO. 28
2358-30	WASH WATER NO. 29	2358-30	WASH WATER NO. 29
2358-31	WASH WATER NO. 30	2358-31	WASH WATER NO. 30
2358-32	WASH WATER NO. 31	2358-32	WASH WATER NO. 31
2358-33	WASH WATER NO. 32	2358-33	WASH WATER NO. 32
2358-34	WASH WATER NO. 33	2358-34	WASH WATER NO. 33
2358-35	WASH WATER NO. 34	2358-35	WASH WATER NO. 34
2358-36	WASH WATER NO. 35	2358-36	WASH WATER NO. 35
2358-37	WASH WATER NO. 36	2358-37	WASH WATER NO. 36
2358-38	WASH WATER NO. 37	2358-38	WASH WATER NO. 37
2358-39	WASH WATER NO. 38	2358-39	WASH WATER NO. 38
2358-40	WASH WATER NO. 39	2358-40	WASH WATER NO. 39
2358-41	WASH WATER NO. 40	2358-41	WASH WATER NO. 40
2358-42	WASH WATER NO. 41	2358-42	WASH WATER NO. 41
2358-43	WASH WATER NO. 42	2358-43	WASH WATER NO. 42
2358-44	WASH WATER NO. 43	2358-44	WASH WATER NO. 43
2358-45	WASH WATER NO. 44	2358-45	WASH WATER NO. 44
2358-46	WASH WATER NO. 45	2358-46	WASH WATER NO. 45
2358-47	WASH WATER NO. 46	2358-47	WASH WATER NO. 46
2358-48	WASH WATER NO. 47	2358-48	WASH WATER NO. 47
2358-49	WASH WATER NO. 48	2358-49	WASH WATER NO. 48
2358-50	WASH WATER NO. 49	2358-50	WASH WATER NO. 49
2358-51	WASH WATER NO. 50	2358-51	WASH WATER NO. 50